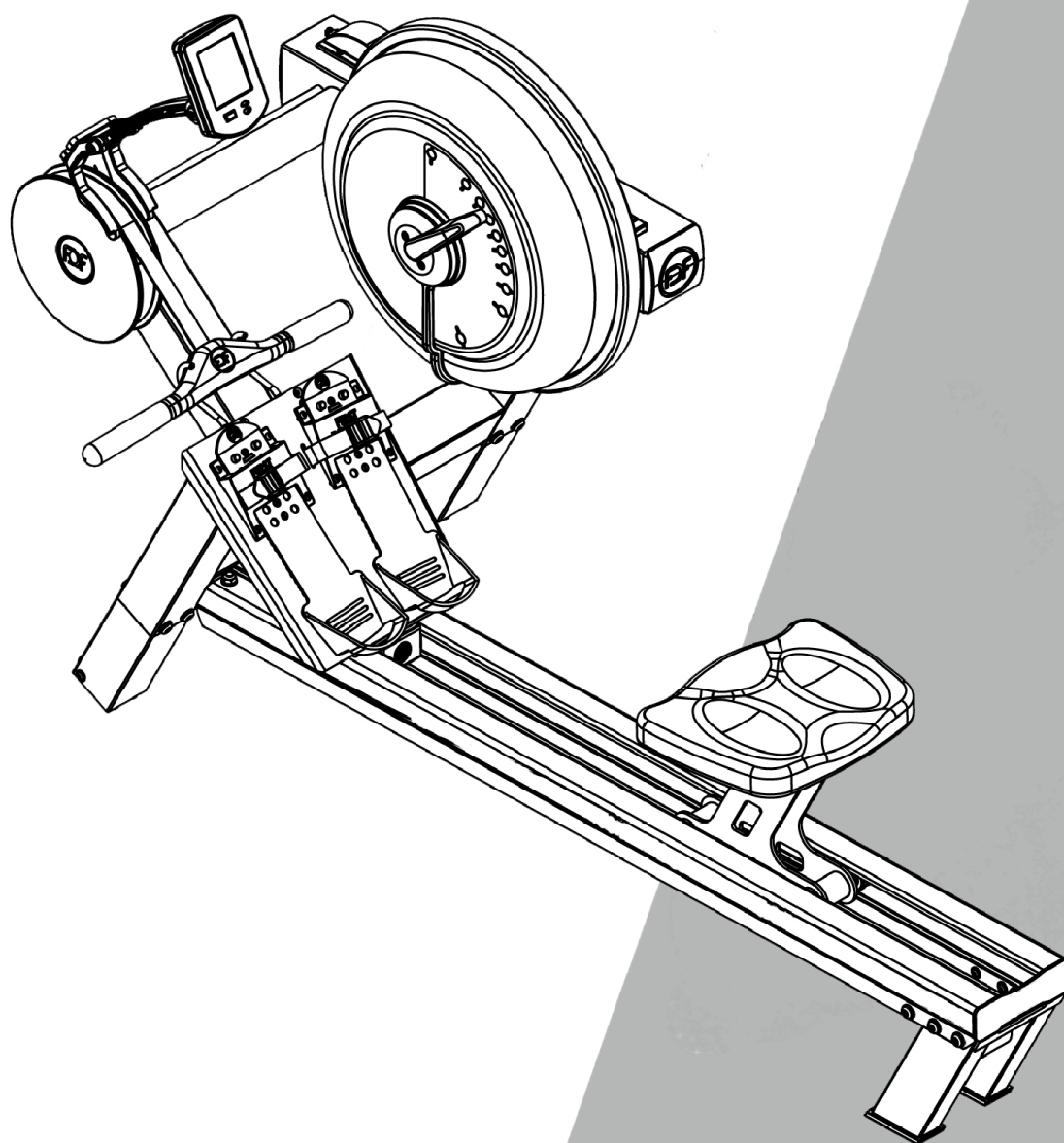


FIRST DEGREE FITNESS



# » USER GUIDE

## ***E550***



REGISTER YOUR PRODUCT AT [WWW.FIRSTDEGREEFITNESS.COM/SUPPORT](http://WWW.FIRSTDEGREEFITNESS.COM/SUPPORT)



# » Introduction

---

Congratulations on your purchase of Rower.

FIRST DEGREE FITNESS is proud to present the Rower as a full commercial use product featuring patented Adjustable Fluid Resistance.

Follow all instructions carefully for correct assembly, Tank filling, water treatment, service and safety.

Access to our world-wide distributor and service network is available at [www.firstdegreefitness.com](http://www.firstdegreefitness.com)

Check contents of Box 1 and Box 2 to ensure all parts are present and correct prior to assembly.

## Training with the Rower

1. As with any piece of fitness equipment, consult a physician before beginning your Rower exercise program.
2. Follow instructions provided in this manual for correct foot position and basic rowing techniques.
3. For more detailed rowing techniques, please refer to our international website at [www.firstdegreefitness.com](http://www.firstdegreefitness.com)




1. Keep hands and fingers away from moving parts, as indicated in this manual.
2. The Rower can stand vertically for storage. Make sure a secure location is chosen, such as the corner of a room or against a wall on an even, secure surface.

# » Contents

Safety .....	5
Assembly .....	7
Box 1 & 2 Contents .....	8
Assembly Instructions .....	9
Operating Instructions .....	14
Bluetooth Auto-Adjust Monitor .....	18
Monitor and APP Connectivity .....	19
Bluetooth Heart Rate Pairing .....	19
Calibration Procedure .....	20
Maintenance.....	21
Troubleshooting .....	22
Tank Belt Adjustment .....	23
Bungee Cord Replacement. Dealer Assistance Required .....	24
International Warranty .....	25



## Safety Information

- Before using this product, it is essential to read this ENTIRE operation manual and ALL instructions. The Rower is intended for use solely in the manner described in this manual.
- UNDERSTANDING EACH AND EVERY WARNING TO THE FULLEST IS IMPORTANT
- As with any piece of fitness equipment, consult a physician before beginning your Rower exercise program.
- Please be aware that any fitness regiment, before being undertaken, is best preceded by a physical checkup from a certified physician.
- Injuries to health may result from incorrect or excessive training.
-  **WARNING** Heart rate monitoring systems may be inaccurate. Over exercise may result in serious injury or death. If you feel faint, stop exercising immediately.
- Stop the machine immediately if any signs of excessive wearing is present on the belts, pulleys and bungee cords. Do not use unit until said parts are repaired or replaced.
- Do not allow children unattended access to the machine.
- The Rower can stand vertically for storage. When doing so, please follow the instructions given in the manual.
- Please keep hands away from moving parts, as indicated by the warning label on the Main Frame of your machine.
- If any of the adjustment devices are left projecting, they could interfere with the user's movement.
- Do not store in freezing conditions with water in the Tank as it can expand and crack the components.

## Installation

- Place on a stable, flat surface in a horizontal position during use for maximum stability.
- Check all belts, pulleys and bungee cords regularly for signs of wear, and replace if needed.
- Check regularly and follow all instructions for maintenance as specified in this manual.
- Replace immediately any defective parts and do not operate unit until all repairs are complete.

# » Safety

---





## Proper Usage

- Do not use any equipment in any way other than designed or intended by the manufacturer. It is imperative that FIRST DEGREE FITNESS equipment is used properly to avoid injury.
- Injuries may result if exercising improperly or excessively. It is recommended that all individuals consult a physician prior to commencing an exercise program. If at any time during exercise you feel faint, dizzy or experience pain, STOP EXERCISING and consult your physician.
- Keep body parts (hands, feet, hair, etc.), clothing and jewelry away from moving parts to avoid injury.
- Follow instructions provided in this manual for correct foot position and basic rowing techniques.
- For more detailed rowing techniques, please refer to our International website [www.firstdegreefitness.com](http://www.firstdegreefitness.com)

## Inspection

- DO NOT use or permit use of any equipment that is damaged and/or has worn or broken parts. For all FIRST DEGREE FITNESS equipment use only replacement parts supplied by FIRST DEGREE FITNESS.
- Cables and belts pose an extreme liability if used when frayed. Always replace any cable or belt at first sign of wear (consult FIRST DEGREE FITNESS if uncertain).
- EQUIPMENT MAINTENANCE - Preventative maintenance is the key to smooth operating equipment as well as to keep your liability to a minimum. Equipment needs to be inspected at regular intervals.
- Ensure that any person(s) making adjustments or performing maintenance or repair of any kind is qualified to do so.
- DO NOT ATTEMPT TO USE OR REPAIR ANY ACCESSORY APPROVED FOR USE WITH THE FIRST DEGREE FITNESS EQUIPMENT WHICH APPEARS TO BE DAMAGED OR WORN.
- Check all belts, pulleys and bungee cords regularly for signs of wear, and replace if needed.
- Check regularly and follow all instructions for maintenance as specified in this manual.
- Replace immediately any defective parts and do not operate unit until all repairs are complete.

## Operating Warnings

- Keep children away from the equipment. Parents or others supervising children must provide close supervision of children if the equipment is used in the presence of children.
- Do not allow users to wear loose fitting clothing or jewelry while using equipment. It is also recommended to have users secure long hair back and up to avoid contact with moving parts.
- All bystanders must stay clear of all users, moving parts and attached accessories and components while machine is in operation.
-  **WARNING** Do not insert fingers into Tank!
-  **CAUTION** After rowing exercise, please allow the unit to sit for 5 minutes before standing it up for storage.
-  **CAUTION** Do not fill past the calibration mark as indicated on the Tank level sticker or water spillage can occur.
-  **WARNING** Never operate this Rower without feet properly secured in Footstraps, or without the sliding portion of the Slider Footplate locked into position!

# » Assembly

## Product Specifications

Product Class: SC

Braking System: Speed Independent

Product Net Weight: 61.9kg (136.47lb)

Product Gross Weight: 71.5kg (157.63lb)

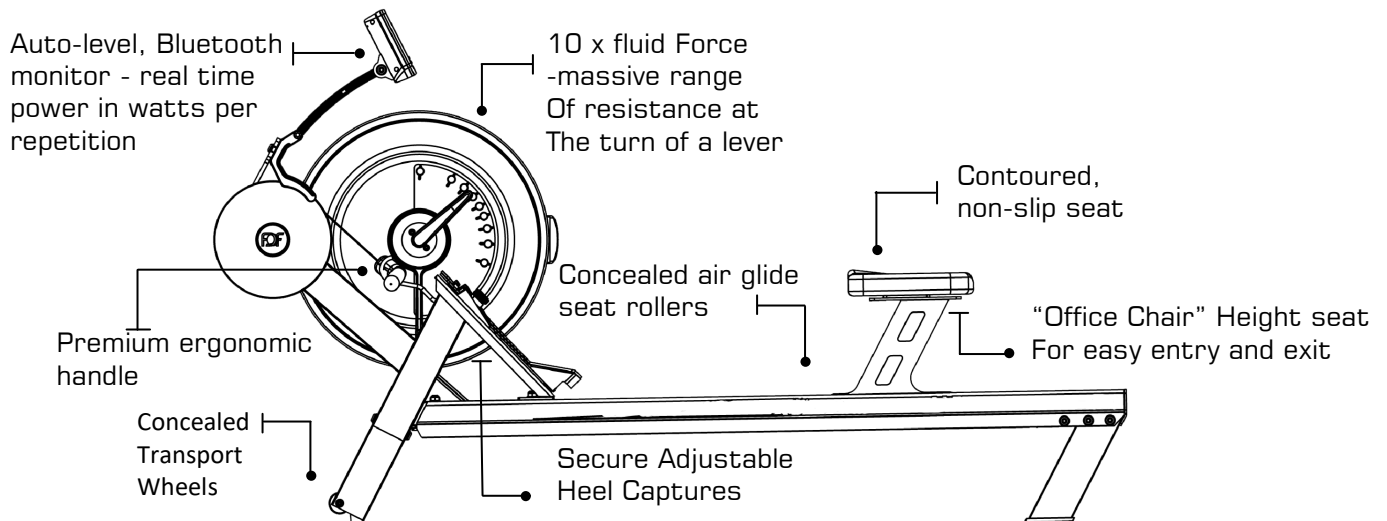
Minimum Safe Operating Surface Area: 315cm (124.02") Length x 201cm (79.13") Width

Dimensions: 1950mm (76.77") Length x 810mm (31.89") Width x 860mm (33.86") Height

Maximum User Weight: 150kg (330lb)

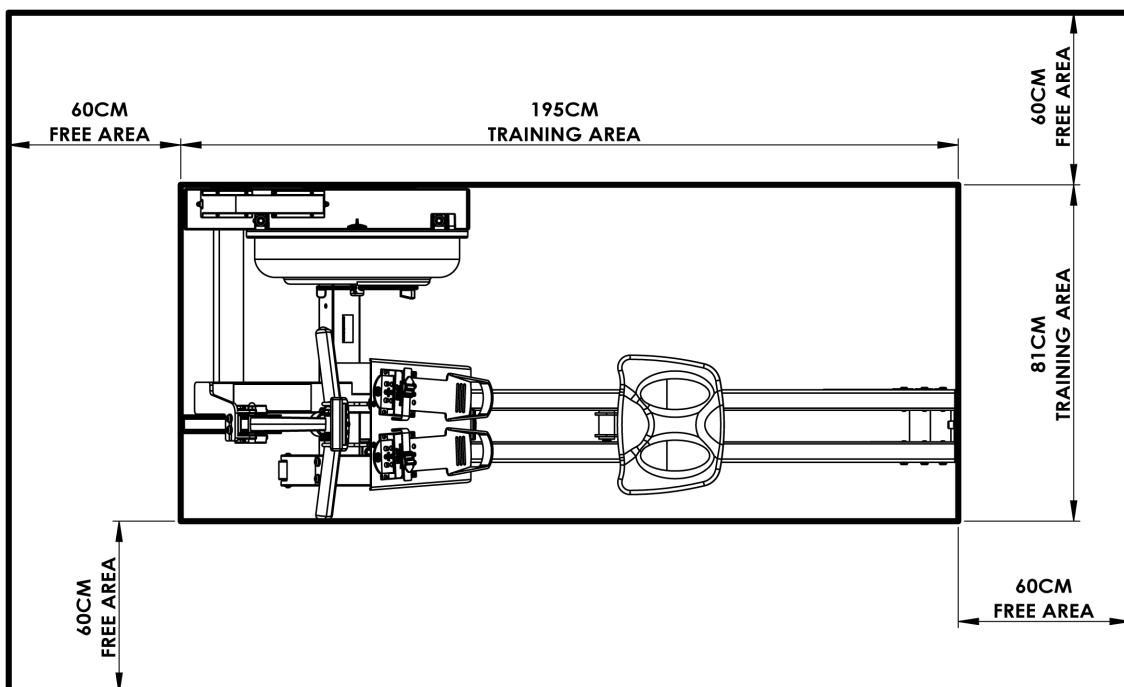
Compact Footprint: 2550mm x 1410mm or upright 860mm x 810mm

## Product Highlights



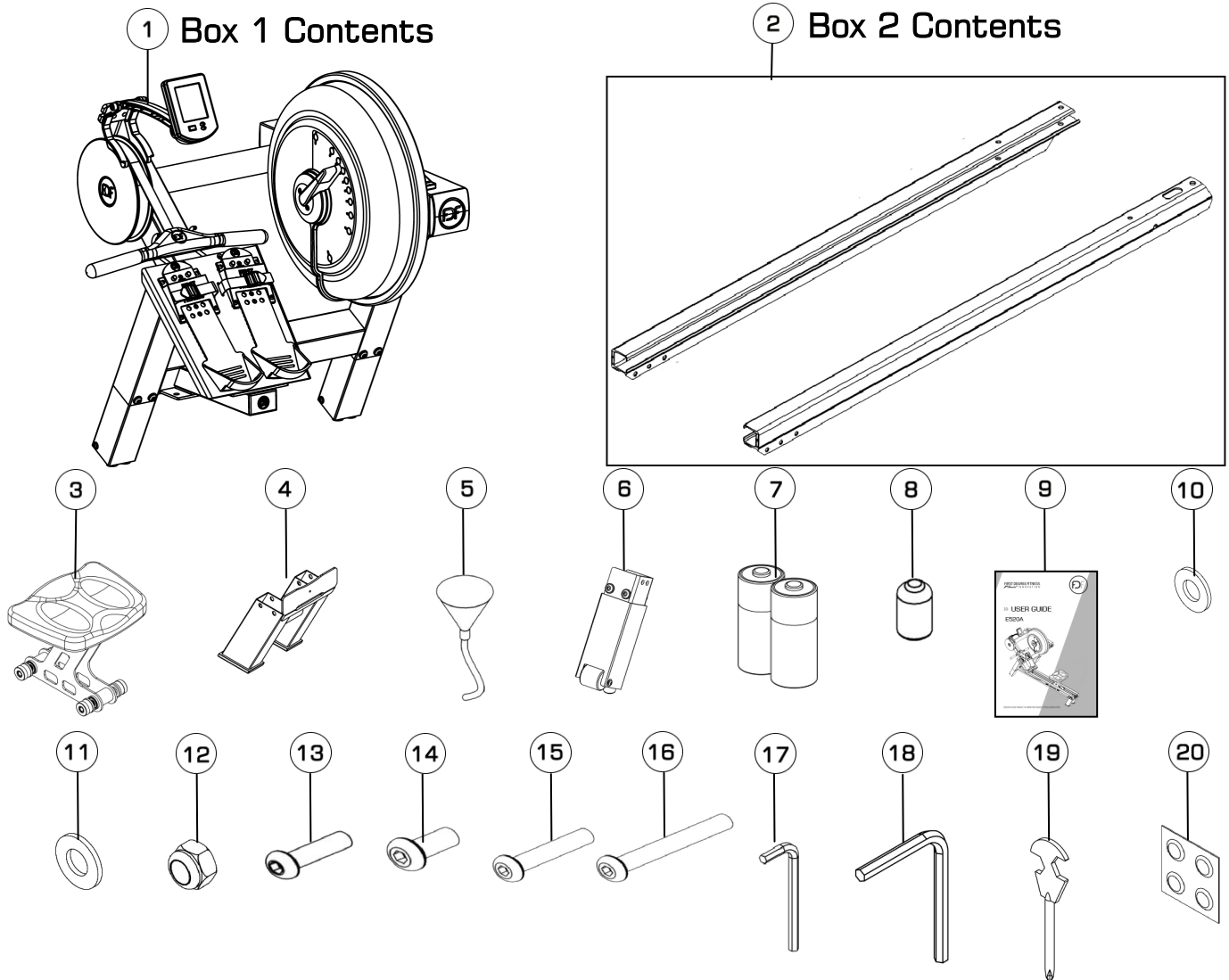
The live area shall be not less than 23.62" (60cm) greater than the training area in the directions from which the equipment is accessed. The live area must also include the area for emergency dismount.

## Live area and Training area



Note: Rower is not suitable for therapeutic purposes.

# » Box 1 & 2 Contents



Item	Qty.	Description	Item	Qty.	Description
1	1	Main Frame	6	2	Front Leg
2	2	Left/Right Seat Rail	7	2	D Cell Battery
3	1	Rower Seat	8	1	Touch Up Paint
4	1	Rear Leg	9	1	User Guide
5	1	Funnel and Hose			
<b>Hardware KIT</b>					
10	4	M6 Washer	16	4	M10x70mm Bolt
11	18	M10 Washer	17	1	4mm Allen Key
12	4	M10 Nylock Nut	18	1	6mm Allen Key
13	4	M6x20mm Bolt	19	1	Multi-Tool
14	8	M10x20mm Bolt	20	4	Water Treatment Tablet
15	4	M10x47.5mm Bolt			

\* Note Hardware pack contains 2 Bolts only. The remaining Bolts are pre-installed on the Rower seat rails for assembly convenience.

# » Assembly Instructions

## STEP 1 Installation Rowing Front Leg

### REQUIRED

Main Frame [11]

2 x Front Leg [6]

8 x M10 Washer [11]

8 x M10 x 20 mm Bolt [14]



### CAUTION

Do not free the Rowing Handle and Monitor Stalk before assembly is complete.

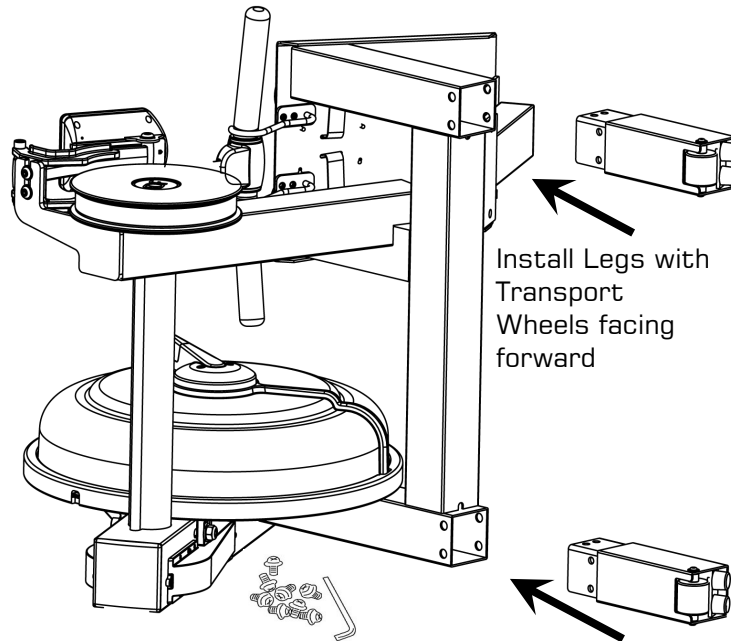
The Rower components such as Main Frame and seat rails are heavy. Use care during assembly.



### WARNING

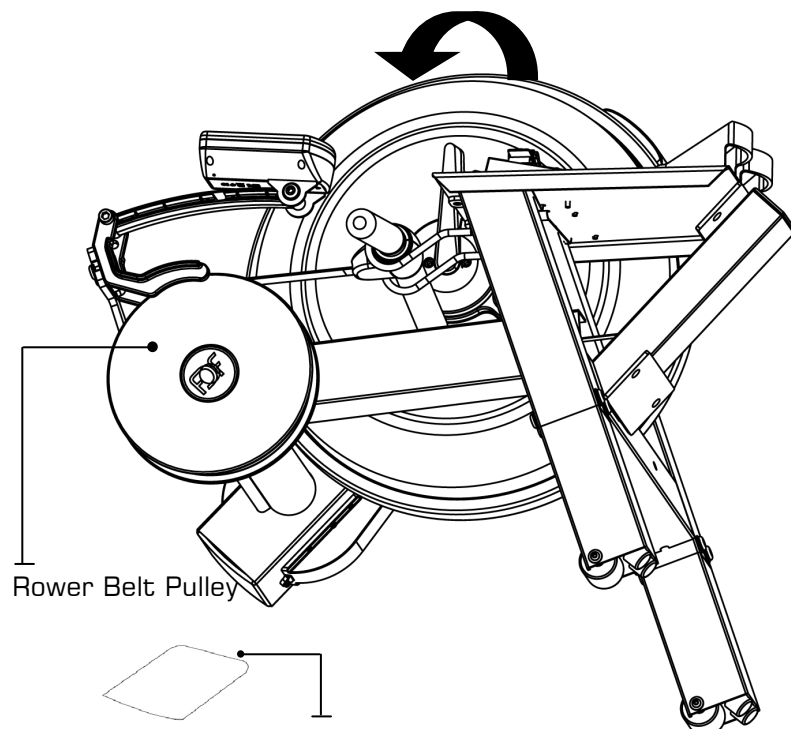
Rower Seat Rails can have Sharp Edges on the Front Portion Facing the Main Frame Use Caution During Assembly.

- Remove the **Main Frame[11]** and all components from Box 1. Check all parts against the box contents.
- Lay on soft surface such as carpet as shown. Tilt frame upward slightly and install **Rower Front Leg [6]** with **4x M10x20mm Bolt [14]** and **M10 Washer[11]**. Repeat for other leg.



Tilt Main Frame upward slightly to install the Lower Leg

- Slowly stand Rower Main Frame upright.



**Hint:** Use mouse pad or soft cloth under Rower Belt Pulley to protect from scratches/scuffing

# » Assembly Instructions

## STEP 2 Attach Seat Rails to Frame

### REQUIRED

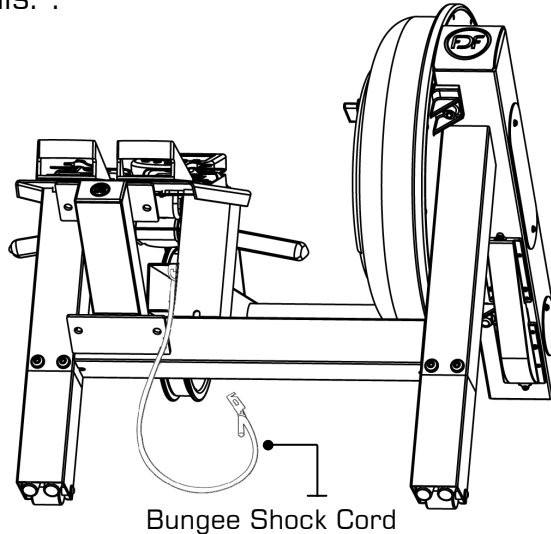
- Main Frame [1]
- Left/Right Seat Rail [2]
- 4 x M10 Washers [11]
- 4 x M10 Nylock Nuts [12]
- 2 x M10 x 70mm Bolts [16]



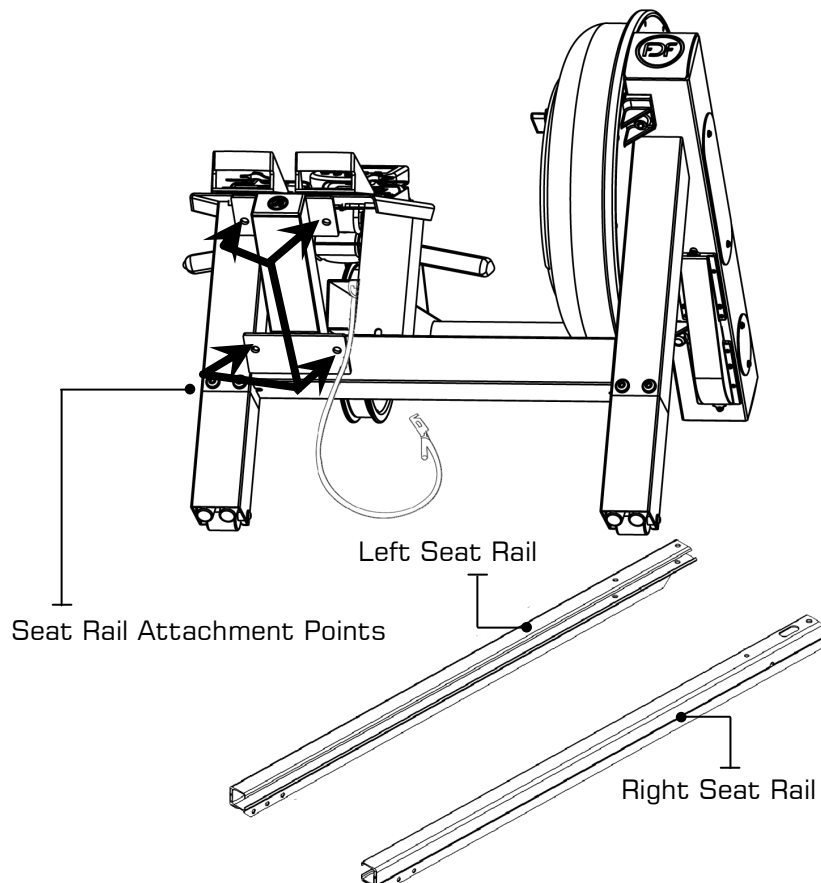
### CAUTION

Nylock Nuts must be outside the standard nut and Washer to properly secure assembly

- a) Locate and unwrap the Bungee Shock Cord from the frame before moving onto the installation of the Seat Rails. .



- b) Once the Main Frame is safely standing upright on a stable surface, unpack the **Left/ Right Seat Rails[2]** and hardware kit from Box 2 for the next step of assembly.
- c) Align and secure lower attachment points using **M10x70 mm Bolts[16]**, **M10 Nylock Nuts[12]** and **M10 Washers[11]**

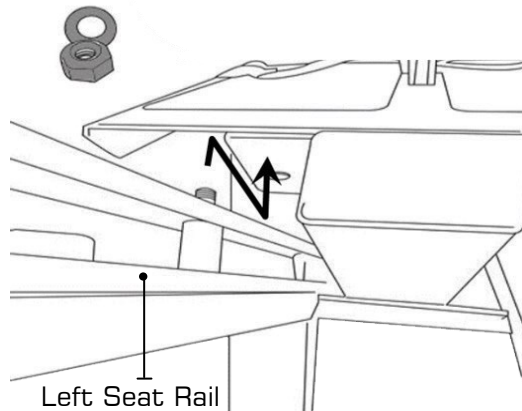


**Note:** 2 x M10 x 70mm Bolts are Preinstalled on the Seat Rails For your Convenience

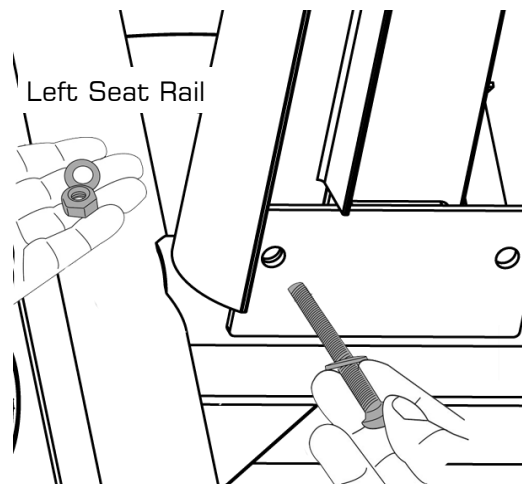
# » Assembly Instructions

## Attach Seat Rails to Frame

- d) Begin with left **Seat Rail[2]**, using the preinstalled **M10x70mm[16]** secure from behind with **M10 Nylock[12]**.

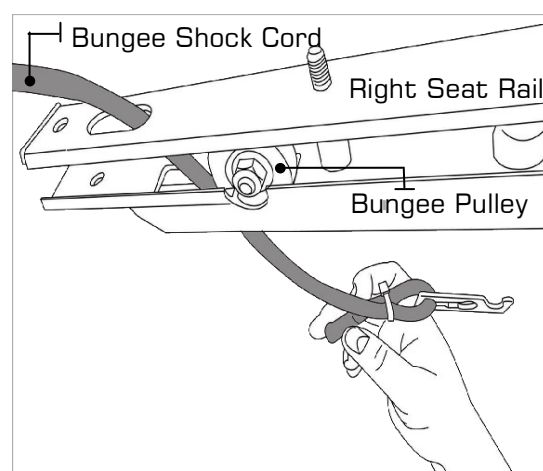


- e) Install lower left **Seat Rail[2]** using **M10x70mm Bolts[16]**, **Nylock Nuts[12]** and **M10 Washers[11]**.



**Note:** 2 x M10x70mm Bolts are Preinstalled on the Seat Rails for your convenience

- f) Before installation of the right **Seat Rail[2]**, thread the Bungee Shock Cord through the top of the Seat Rail, around the Bungee Pulley and out the bottom as shown



- g) Once this is complete, follow the same assembly procedure for the Left Seat Rail.



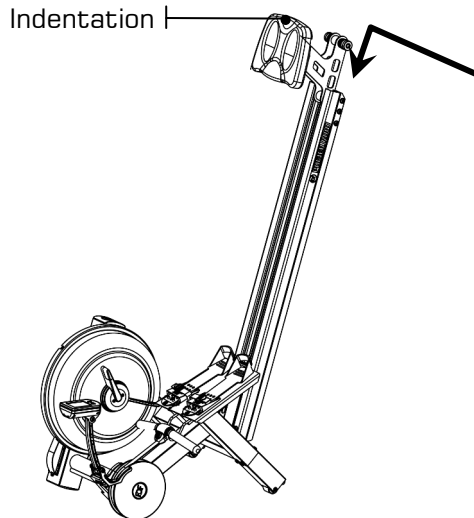
# » Assembly Instructions

## STEP 3 Assemble Rowing Seat

### ! CAUTION

The Rower Seat[3] is Heavy. Use Both Hands and Keep Fingers Clear of the Rower Channels When Guiding the Seat down the Seat Rails.

- a) Slide the assembled Seat Rails[2] facing in the direction of the arrow in the above graphic. The Seat indentation Must be towards the rear of the Rower.



## STEP 4 Install Rear Leg

### REQUIRED

Rear Leg [4]

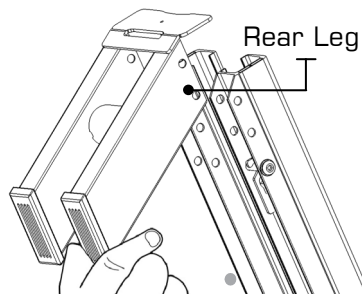
4 x M6 Washers [10]

4 x M10 Washers [11]

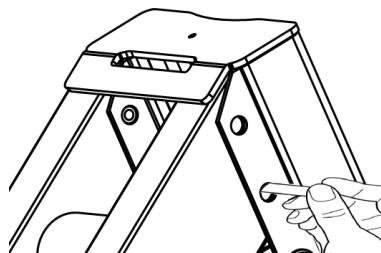
4 x M6x20mm Bolts [13]

4 x M10x47.5mm Bolts [15]

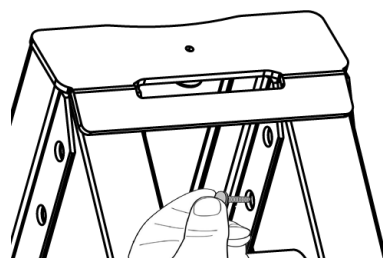
- a) Mount the **Rear Leg[4]** onto the Seat Rails and secure as shown.



- b) Install all **M10x47.5mm Bolts[15]** and **M10 Washers[11]** first from the outside to hold the **Rear Leg[4]** in position.



- c) Secure the Rear Leg from the inside with the **M6x20 mm Bolts[13]** and **M6 Washers[10]**.



**Note:** Third Bolt hole on right of Rear Leg and Seat Rail is for Bungee Hook Attachment



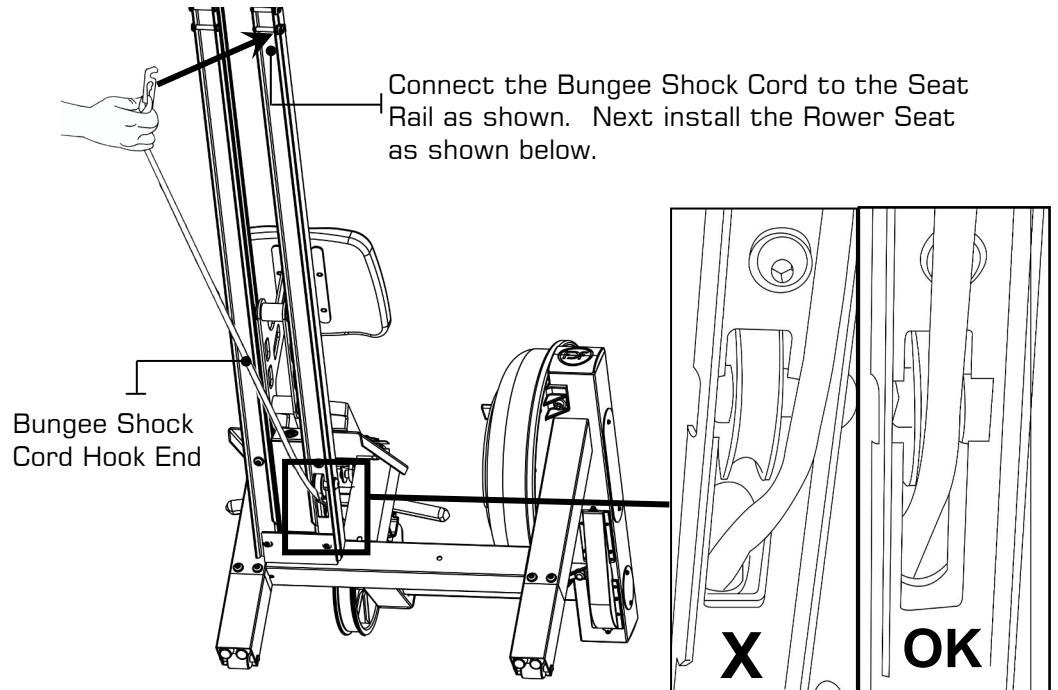
# » Assembly Instructions

## STEP 5 Attach Bungee Shock Cord

### CAUTION

The Bungee Shock Cord will be Under Tension when Stretching to Install. Do Not Let Go of the Bungee While Under Tension as This Could Cause Injury And/ or Damage to the Rower

- a) Connect the Bungee Shock Cord to the Seat Rail and install the Rower Seat.



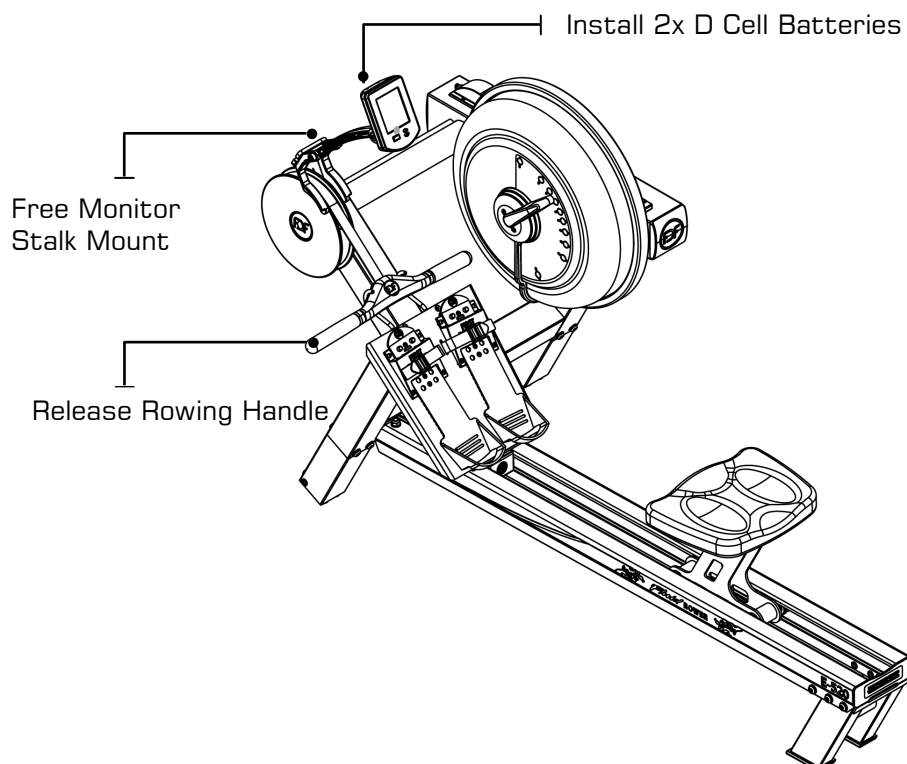
- b) When attaching the Bungee Hook, make sure that the Bungee Shock Cord is running correctly the Bungee Pulley as shown upper.

## STEP 6 Complete the Assembly

### WARNING

Do Not Free the Rower Handle Before the Bungee Shock Cord has Been Correctly Attaching (See Step 5 of Assembly Instructions)

- a) Lower the Rower to the operational position and free the Heel Support Plate, Rowing Handle and Monitor Stalk Mount.



# »» Operation Instructions

## »» Tank Filling and Water Treatment

### REQUIRED

Funnel and Hose [5].

### ! CAUTION

Use a drop cloth under the Tank when filling to avoid damaging to floor or carpet. Do not fill past the calibration mark as indicated on the Tank level sticker on the Tank level sticker or water spillage may occur.

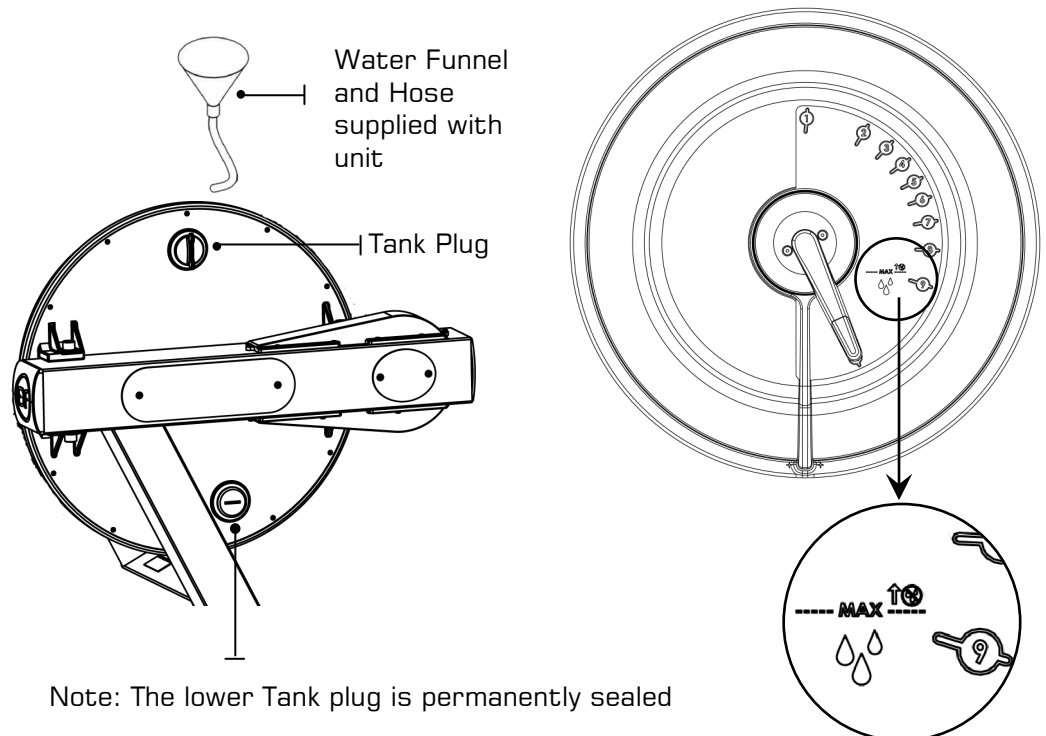
### ! NOTE

In areas where tap water quality is known to be poor, FDF recommends the use of distilled water.

### ! WARNING

Impeller blades are sharp! Do not Place fingers in Tank to adjust impeller position. It is recommended to use the end of the hose should the impeller require adjustment

- Filling requires a large bucket (not supplied) and the supplied water **Funnel and Hose**[5]. Filling will take approximately 8 liters of water.
- Open the Fill Plug on the back of the Tank and insert hose (rotating the Impeller slightly may be necessary to allow the hose to pass). Note: **In areas where tap water quality is known to be poor, FDF recommends the use of distilled water.**
- Move the Tank Adjuster Handle to Level 10 and begin filling. Do not fill the Tank higher than the level indicator on the front of the clear shell.
- Once filling is complete follow the water treatment procedure below, then replace the Tank plug.



**NOTE:** For simple, fast and efficient filling and/or drainage of the Fluid Tank, we have a battery operated pump (rechargeable via USB) available as an option. We recommend this to any commercial facility, with multiple units, that has a need to drain and refill Tanks from time to time. To purchase, contact your nearest First Degree Fitness distributor or go to our website on [www.firstdegreefitness.com](http://www.firstdegreefitness.com) for details.

## INITIAL WATER TREATMENT

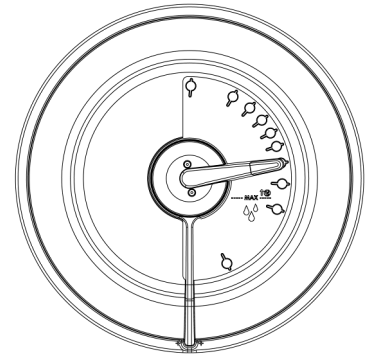
Add One Water Treatment Tablet per full Tank. Do NOT, UNDER ANY CIRCUMSTANCE, USE A WATER TREATMENT TABLET OTHER THAN THOSE SUPPLIED WITH YOUR UNIT. Your unit purchase includes 4xWater Treatment Tablets, which is sufficient for several years of use.

To purchase additional Water Treatment Tablets, please consult your nearest regional dealer/distributor or check our website at [www.firstdegreefitness.com](http://www.firstdegreefitness.com)

## » Operation Instructions

### CHANGING RESISTANCE LEVEL

Changing resistance on your E550 is simple. The level of resistance is determined by the level indicator located on the front of the Tank. Level one indicates lightest resistance, level ten represents heaviest resistance. The Tank's variable fluid resistance technology ensures an instant catch and constant resistance throughout the movement.




Your E550 Monitor will automatically adjust to the resistance level selected on the Tank. Allow three to four seconds after adjusting resistance handle for the correct resistance level to be achieved.

### LONG-TERM WATER TREATMENT

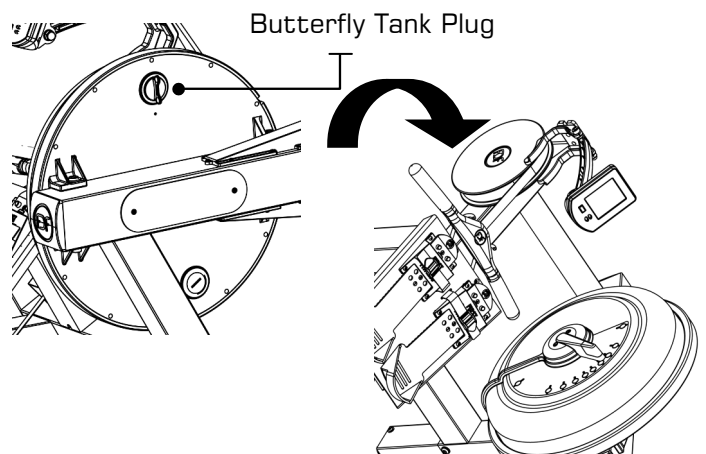
**WARNING: DO NOT USE ANY OTHER WATER TREATMENT TABLET OTHER THAN THOSE SUPPLIED WITH YOUR UNIT.**

The amount of time between water treatments can vary greatly depending on your unit's location and exposure to sunlight. Typically you can expect to treat your Tank water every 12-24 months. If water becomes discolored or shows signs of algae / bacterial growth simply add one Water Treatment Tablet.

 **CAUTION:** It is strongly recommended that a drop cloth be used under the fluid Tank whenever the Tank plug is opened for water treatment.


### Draining / Changing Tank Water

1. Open the Tank Plug.
2. Turn the Rower onto its side. Once the Rower is in this position, the Tank can be drained.
3. For refill instructions refer to the Tank filling section of this manual (Page 14).



### » Storage

The Rower is designed for compact storage in the vertical position. To ensure your safety, choose a suitable location, such as the corner of a room. It is recommended that something soft (such as carpet or a small towel) be placed under the rowing pulley of the unit to avoid chipping or floor damage.

 **CAUTION:** The Rower is heavy, lift from back and pull at 45-degree angle.

## »» Operation Instructions

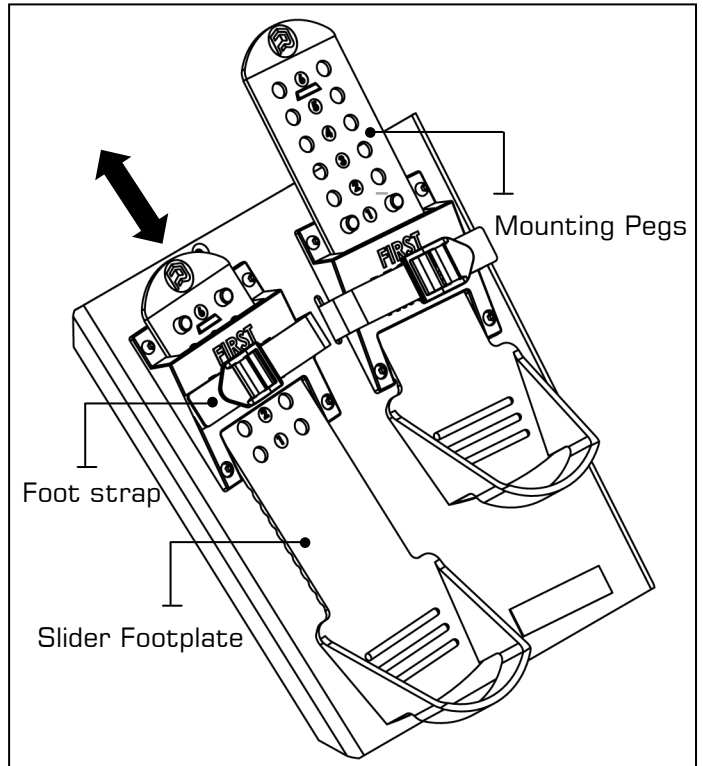
### »» Adjust Footplates

The Footplate Slider accommodates most foot sizes, and is designed to keep your feet securely in place as you row. The feet should be positioned so that the foot strap covers the section of the foot naturally bend as row. (e.g. The **board** of the foot)

#### TO ADJUST:

Lift the top of the footplate from the mounting peg and slide vertically between 1-6 to suit your foot length. Secure by hooking the footplate back onto the mounting peg and pushing down firmly to lock it into position. Place feet on the foot plates and tighten the foot straps to ensure your feet sit firmly against the heel captures.

**Note:** The Heel Capture should bend to allow your foot to pivot naturally as you row.

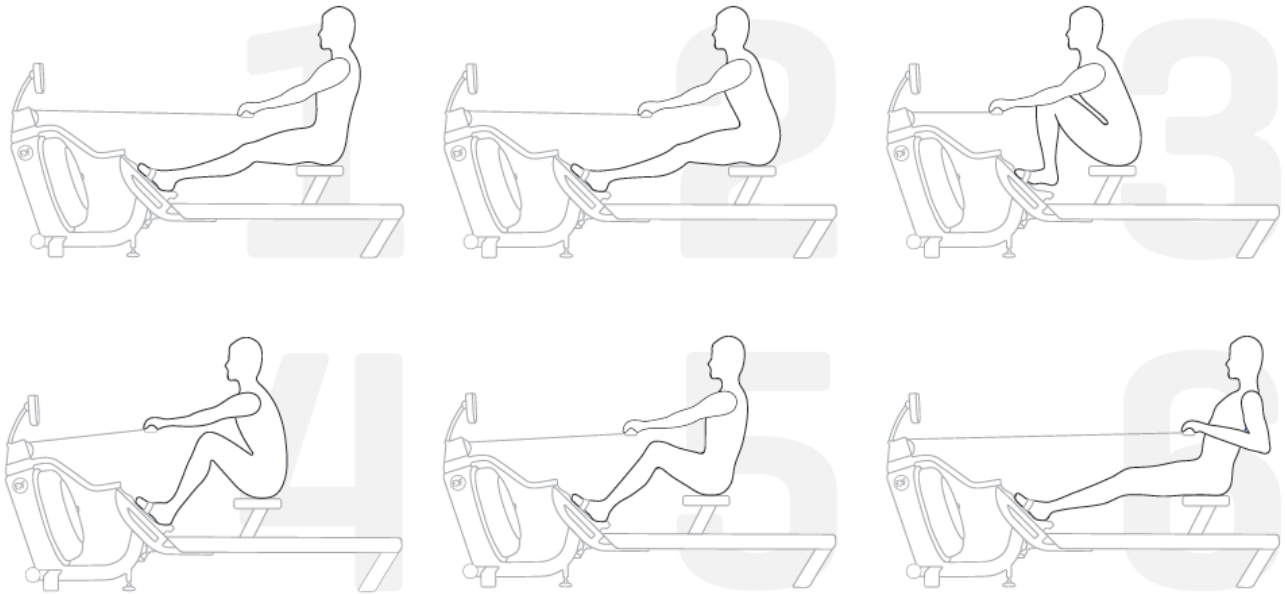


**WARNING:** Never operate this Rower without feet properly secured in Footstraps, or without the sliding portion of the Slider Footplate locked into position!

# »» Operation Instructions

## »» Start Rowing

There are six phases to completing a rowing stroke




1. Sit with straight legs and back, leaning forward slightly at the hips with arms out straight and hands level with the lower ribs. Swing back.
2. Legs and back straight, leaning slightly forward from the hips, arms out in front. Lean and slide forward.

**Note:** Hands should now be around your knees, keeping legs straight.

3. Legs come forward, aiming to get the shins vertical. Back is still straight, and posture leaning slightly forward with arms still out front. Now drive hard, this is the CATCH.
4. Knees partially straightened so seat is now at mid-point of travel, back and arms still straight. Maintain the stroke.
5. Knees are nearly straight, back is still straight but now leaning slightly back from the hips. Arms straight. Now squeeze through.
6. Legs now fully extended. Back straight and leaning slightly back, now pull with the arms so they are close to the chest, forearms horizontal and elbows close in to the rib cage. This is the FINISH.

For more information on correct rowing technique and workout tips visit our website [www.firstdegreefitness.com/indoor-rowing-technique](http://www.firstdegreefitness.com/indoor-rowing-technique)

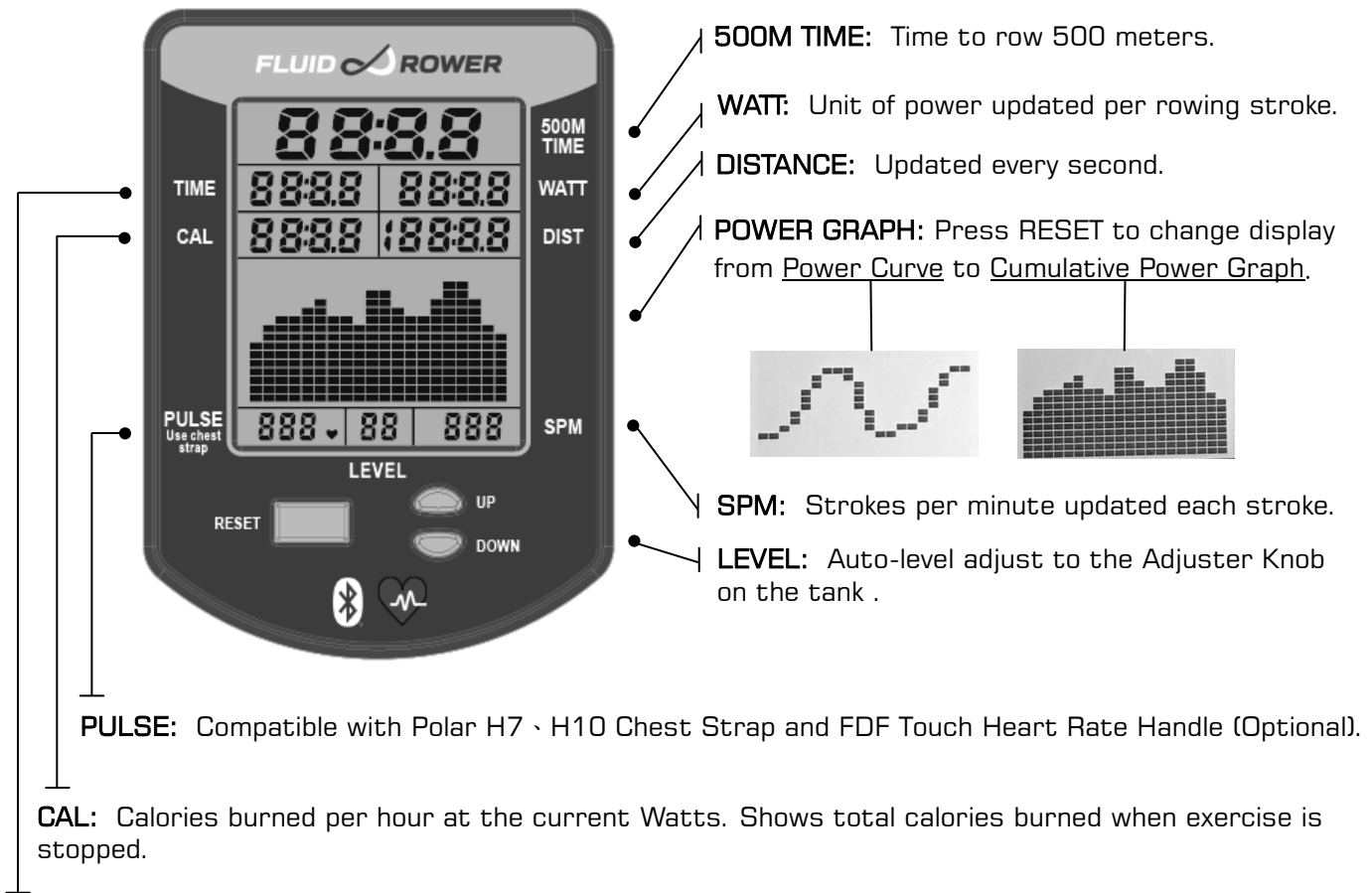
 **CAUTION** Always consult a doctor before beginning an exercise program. Stop immediately if you feel faint or dizzy.

# » Bluetooth Auto-Adjust Monitor

**Auto Start:** Commence exercise to activate.

**Reset all values:** Press and hold RESET button for 3 seconds.

**Auto Power Down:** Over 5 minutes. All values revert to zero after restart.



**TIME:** Auto start elapsed time.


**WATT:** Measures peak power in watts, calculating the strength and acceleration provided to accurately measure a user's power.

**TRAINING DATA:** Data gathered from each workout is displayed in a power curve and cumulative power graph, enabling real-time comparisons for effective progressive training.

**AUTO ADJUST LEVEL:** Built in potentiometer automatically adjusts the monitor's resistance level according to the position of the Adjuster Knob on the tank.

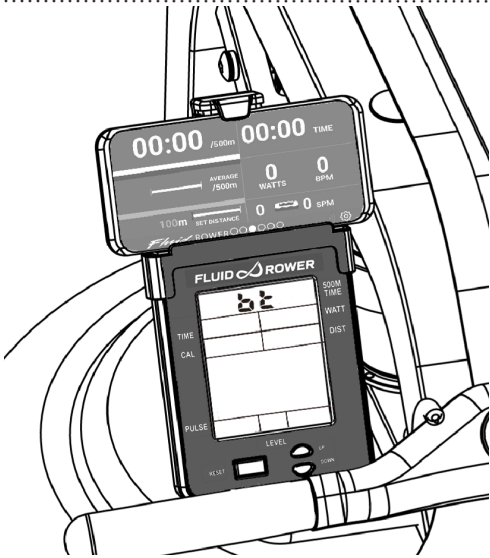
**BLUETOOTH CONNECTIVITY:** Each Rower is fitted with the most advanced Monitor technology, enabling Bluetooth connectivity with any compatible smart device. Designed to integrate with rowing and fitness apps, the Monitor will assist with effective training progression, capturing and comparing data for the competitive individual. Including FDF Rowing APP available via FDF Website. It is compatible with 3rd party APP and Software Update via Bluetooth.

**NOTE:** Heart Rate Chest Strap and Touch Heart Rate Handle is sold separately.

 <b>WARNING:</b>	<p>Heart rate monitoring systems may be inaccurate, Over exercising may result in serious injury or death. If you feel faint stop exercising immediately and seek professional medical advice.</p>
--	--



## » Monitor and APP Connectivity



Download the FluidRower App for IOS and Android.

Download Link below:

IOS:

<https://itunes.apple.com/tw/app/fluidrower/id1449683562?mt=8>



Android:

<https://play.google.com/store/apps/details?id=com.firstdegreefitness.fluidworkout>



Hold UP and DOWN buttons together for 5 seconds to initiate Bluetooth function. Open APP and connect.

Demo Video:

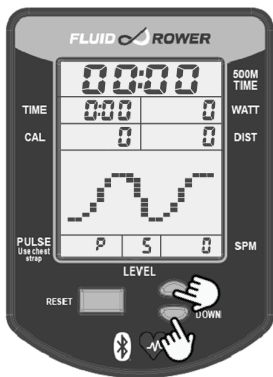
[https://drive.google.com/file/d/1uE1U5kXwawnopkinD\\_hVAAWAQesDhnwH/view?usp=sharing](https://drive.google.com/file/d/1uE1U5kXwawnopkinD_hVAAWAQesDhnwH/view?usp=sharing)



## » Bluetooth Heart Rate Pairing

**NOTE:** Heart Rate Chest Strap and Touch Heart Rate Handle is sold separately.

### STEP 1



Press and hold 「UP」 and 「DOWN」 for 3 seconds.

### STEP 2



Press "DOWN" to enter Bluetooth Heart Rate pairing mode .

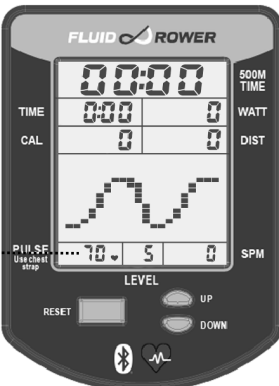
### STEP 3



The Monitor will now display a 4-digit pairing code and 1 minute countdown time.

**Note:** Please turn on you heart rate device and get ready to start pairing.

### STEP 4



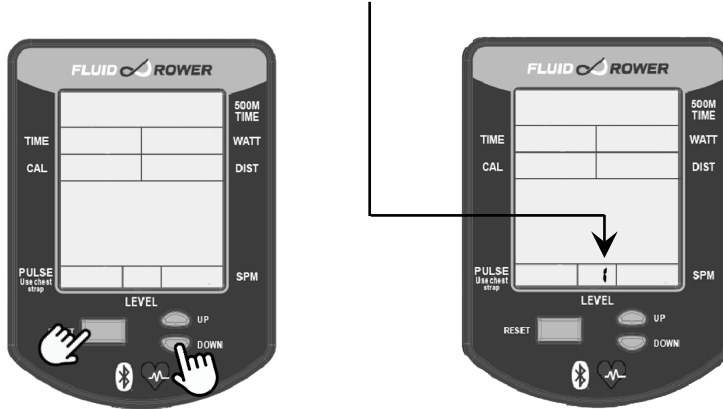
The Monitor will automatically pair with the nearest Bluetooth heart rate device. When pairing is complete, the Monitor will jump back to the initial screen and begin to display the heart rate.

Heart Rate

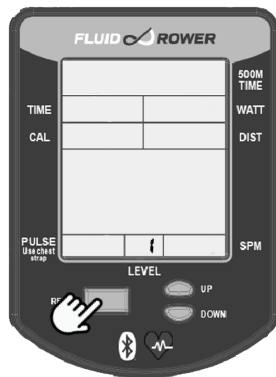
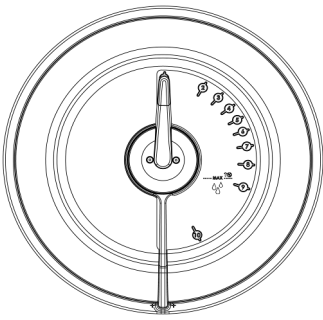
# » Calibration Procedure

## STEP 1

Press and hold 「RESET」 and 「DOWN」 for 5 seconds.  
Display will show " Level 1 "

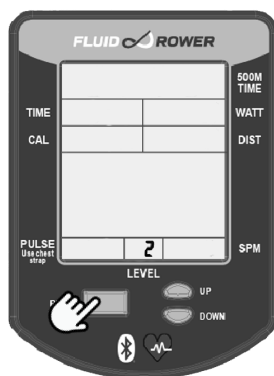
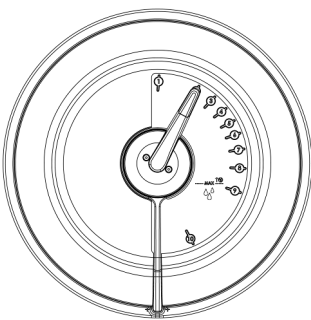


## STEP 2



Turn handle to Level 1.  
Press Reset.  
Display will now show Level 2.  
Level 1 Calibration is complete.

## STEP 3



Turn handle to Level 2.  
Press Reset.  
Display will now show Level 3.  
Level 2 Calibration is complete.

## STEP 4

Repeat for 3,4,5,6,7,8,9,10. Level 10  
Press Reset.

Repeat the steps back to level 1.  
Calibration is complete.



## » Maintenance

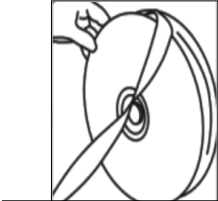
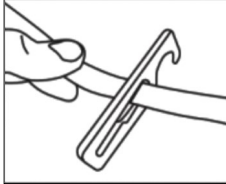
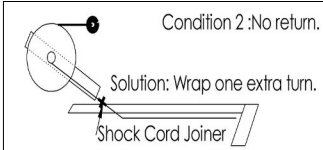
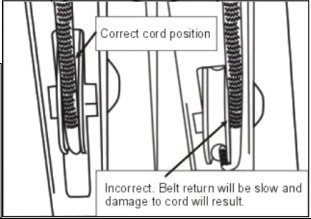
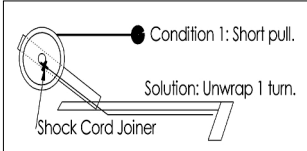
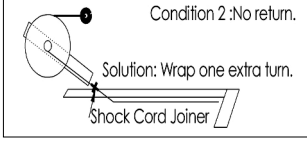
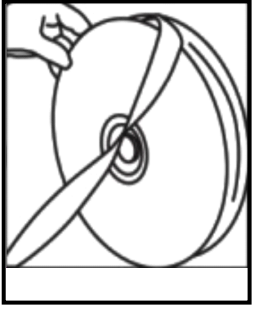
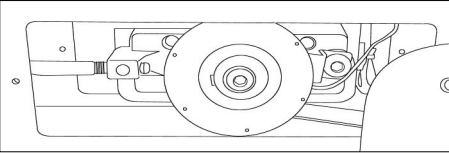
All preventive maintenance activities must be performed on a regular basis. Performing routine preventive maintenance actions can aid in providing safe, trouble-free operation of all First Degree Fitness equipment.

First Degree Fitness is not responsible for performing regular inspection and maintenance actions for your machines. Instruct all personnel in equipment inspection and maintenance actions and also in accident reporting and recording.

First Degree Fitness representatives are available to answer any questions that you may have.

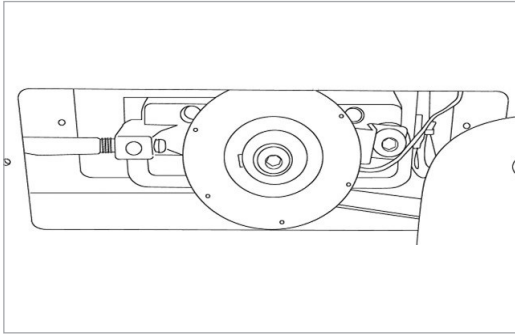
Item	Time Frame	Instructions	Notes
Seat and Seat Rails.	Weekly.	Wipe Seat Rails with a clean, dry cloth. Lightly spray the inside of rails with silicone spray.	
Frame.	Weekly.	Wipe down with lint free cloth.	
Tank and Water Treatment.	12 months to 2 years.	Follow instructions as specified in the "Water Treatment" section of this manual.	
Bungee Cord.	Check every hundred hours for correct tension and for signs of wear.	The Bungee Cord should last for many years. If a bungee cord change is required, please follow the instructions provided in the "Changing the Bungee Cord" section of this manual.	
Rowing Belt.	Check every hundred hours for correct tension and for signs of wear.	The Rowing Belt should provide many years of trouble free use. If a rowing belt change is required, please contact your local service representative or go online at <a href="http://www.firstdegreefitness.com">www.firstdegreefitness.com</a> for further details.	

# » Troubleshooting

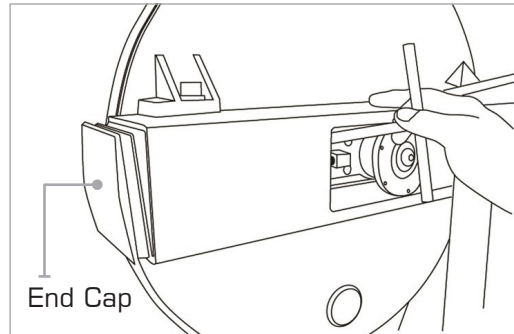
Fault	Probable Cause	Solution
Water changes color or becomes cloudy.	Rower is in direct sunlight or has not had water treatment.	Change Rower location to reduce direct exposure to sunlight. Add water treatment or change Tank water as directed in the water treatment section of this manual. Consider using distilled water to refill Tank.
Rowing stroke return is too light.	<p>Bungee not under enough tension.</p> <p>Rowing Belt missing one wrap around Rower belt pulley.</p> <p>Bungee has slipped off the Bungee Pulley Wheel.</p>	<p>Cut Bungee Tie Rack and tighten slightly on Bungee Hook.</p>    
Monitor screen illuminates, but does not register when rowing.	Loose or failed connection/Sensor gap too wide (see erratic Monitor display).	Check that the Monitor lead is connected properly. If connected properly check Sensor gap. Contact your local service center if this fails to address the problem.
Belt can't extend to the end of rowing stroke or no resistance.	Rowing Belt needs to be unwrapped 1 turn or, requires an extra wrap on the Rower Belt Pulley	  
The Monitor does not illuminate after battery installation.	Batteries installed incorrectly or need replacing.	Reinstall batteries in correct position and try again. If the LCD screen fails to illuminate, try rotating the batteries slightly in the Monitor. If this fails, contact your local service center.
The Monitor display is erratic while displaying SPM and 500meter times.	Gap between Sensor and Magnetic Ring is too wide.	 <p>Remove large service cover and check gap between Sensor and Magnetic Ring (should be no more than 2.5mm).</p>
The Monitor LEVEL is not synchronized with the Tank LEVEL.	Monitor LEVEL needs to be recalibrated.	Please refer to "Calibration Procedure" page 19 of this manual.

## » Tank Belt Adjustment

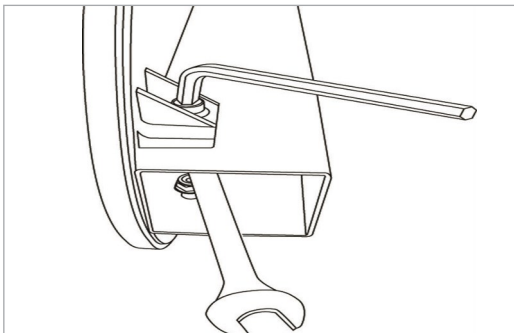
1. Remove large metal inspection plate.



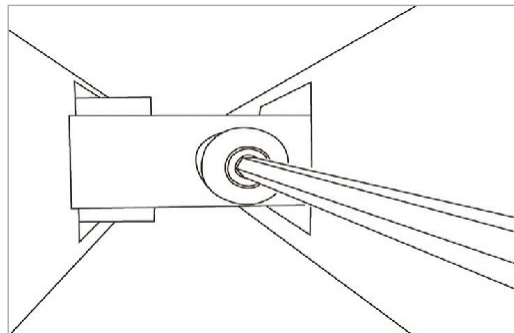
2. Using a long tool, push out the rear end cap as pictured below left. This will give you access to the Tank Tensioning Bolt (shown lower right).



3. Loosen both the rear and front Tank Bolts slightly as shown left. Remove front Rubber Belt Cover.



4. Using a 6mm Allen Key, tighten the Belt using the Tank Tensioning Bolt until the belt no longer slips during hard rowing.



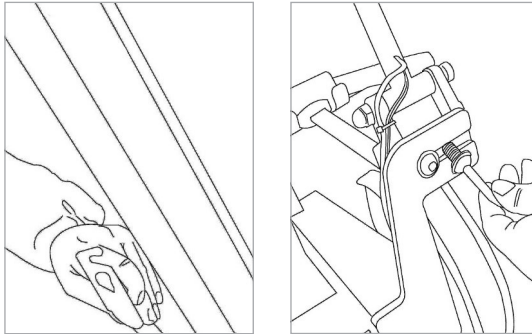
**Note:** Do not over tighten Tank Bolts.

**Tip:** Twist the Belt by hand to gauge tightness. Correct tension should be obtained when no longer able to twist more than 60 degrees

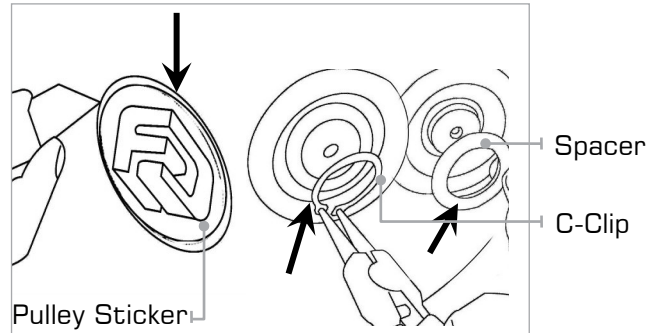
## » Bungee Cord Replacement. Dealer Assistance Required

(Expect 2-5 years bungee life in commercial use. Damage during initial Rower assembly is not covered under warranty)

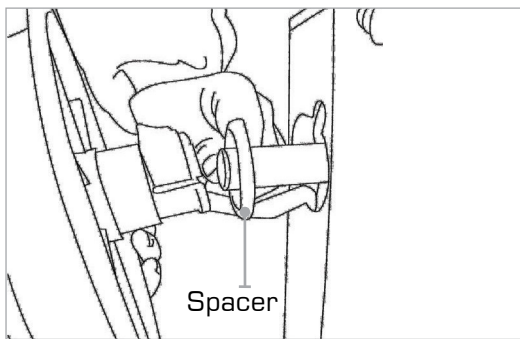
1. Unhook Bungee Cord Hook. Remove Monitor mount with 6mm Allen key.



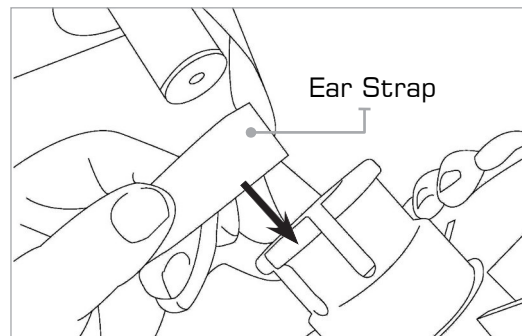
2. Carefully peel back and remove the Belt Pulley Sticker. Then remove C-Clip and Black Spacer as shown.



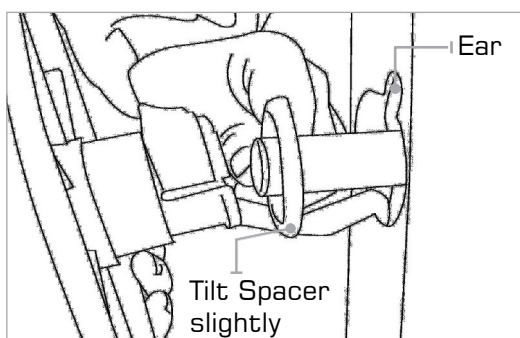
3. Remove the Belt Pulley and the Spacer. Unhook the Bungee Cord End from the Pulley and remove by pulling out from the bottom.



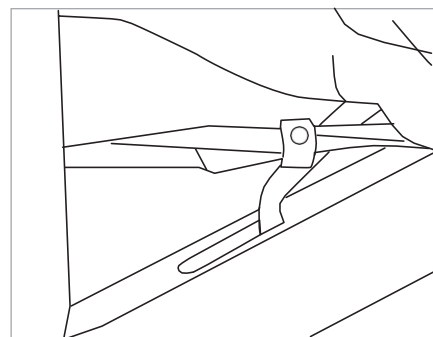
4. Feed the new Bungee Cord from below and reattach end strap to the Belt Pulley.



5. Attach the Spacer to the end of the rower pulley and use the "ear" to help thread the strap into the machine. Note that the Spacer may require being tilted just slightly to allow it to pass through.



6. Reattach the Bungee Hook to the end of the Seat Rail, install outer Spacer, C-Clip and Sticker. Test for proper installation. If the C-Clip cannot be reinstalled, then remove Pulley and try again as the Strap may be jammed.



**Note:** A light tap may be required if the black inner Spacer will not pass inside the frame. A tight C-Clip mounting indicates the process should be repeated as the belt is jammed up.

## FULL COMMERCIAL USE

This product is designed and constructed for use in any Health Club / Fitness Studio application.

FIRST DEGREE FITNESS Limited warrants that the **E550 Fluid Rower (model E550)**, purchased from an authorized agent and in its undamaged original packaging, is free from defects in materials and workmanship. FIRST DEGREE FITNESS Limited or its agent will, at their discretion, repair or replace parts that become defective within the warranty period, subject to the specific inclusions and exclusions below.

### **Metal Frame – 10 Year Limited Warranty**

FIRST DEGREE FITNESS will repair or replace the metal Main Frame of the Rower should it fail due to any defect in materials or workmanship within 10 years of the original purchase. Warranty does not apply to frame coating.

### **Polycarbonate Tank & Seals – 5 Year Limited Warranty**

FIRST DEGREE FITNESS will repair or replace the polycarbonate Tank or seals should they fail due to any defect in materials or workmanship within 5 years of the original purchase.

### **Mechanical Components (of a non-wearing nature) – 2 Year Limited Warranty**

FIRST DEGREE FITNESS will repair or replace any mechanical component should it fail due to any defect in materials or workmanship within 2 years of the original purchase.

### **All Other Components (of a wearing nature) – 2 Year Limited Warranty**

FIRST DEGREE FITNESS will repair or replace any component should it fail due to any defect in materials or workmanship within 2 years of the original purchase.

### **Specific Inclusions**

- Bungee recoil cord, belt and pulley
- Hand grips & foot straps
- Polyester rowing belt
- Seat
- All pulleys, rollers & bearings
- All rubber components
- Monitor & speed Sensor (excluding replaceable batteries)
- All drive belts
- Aluminum seat rails
- Sliding Footplate

### **General Exclusions**

- Damage to the finish of any part of the machine
- Damage due to neglect, abuse, incorrect assembly or use of the machine
- Any charges for freight or customs clearance associated with the return or dispatch of parts
- Any damage to or loss of goods during transport of any kind
- Any labour cost associated with a warranty claim

### **General Conditions**

- The serial number of the machine must be correctly registered with First Degree Fitness Limited or one of its appointed distributors
- FIRST DEGREE FITNESS Limited reserve the right to examine any part where replacement is claimed under warranty
- Warranty period applies only to the original purchaser from the date of purchase and is not transferable
- The product must be returned to your place of purchase in original packaging with transportation, insurance and associated charges paid for by you and risk of loss or damage assumed by you
- FIRST DEGREE FITNESS makes no other warranties except as stated here and expressly disclaims all warranties not stated in this warranty. Neither FIRST DEGREE FITNESS nor its associates shall be responsible for incidental or consequential damages
- Manufacturer's warranty automatically commences upon sale of the product to end user or upon the expiration of one (1) year from month of manufacture, whichever occurs first







FIRST DEGREE FITNESS  
*Fluid* INNOVATION

*FITNESS PRODUCTS INSPIRED BY REAL LIFE*

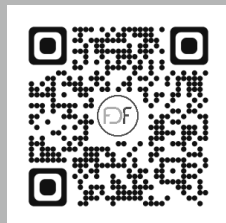
[WWW.FIRSTDEGREEFITNESS.COM](http://WWW.FIRSTDEGREEFITNESS.COM)

NOUS CONTACTER

Pour le soutien à la clientèle, veuillez  
visiter [firstdegreefitness.com/support](http://firstdegreefitness.com/support)

TAÏWAN

T: +886 3 478 3306  
764 Chung Shan South Rd  
Yangmei Taoyuan  
Taiwan R.O.C.



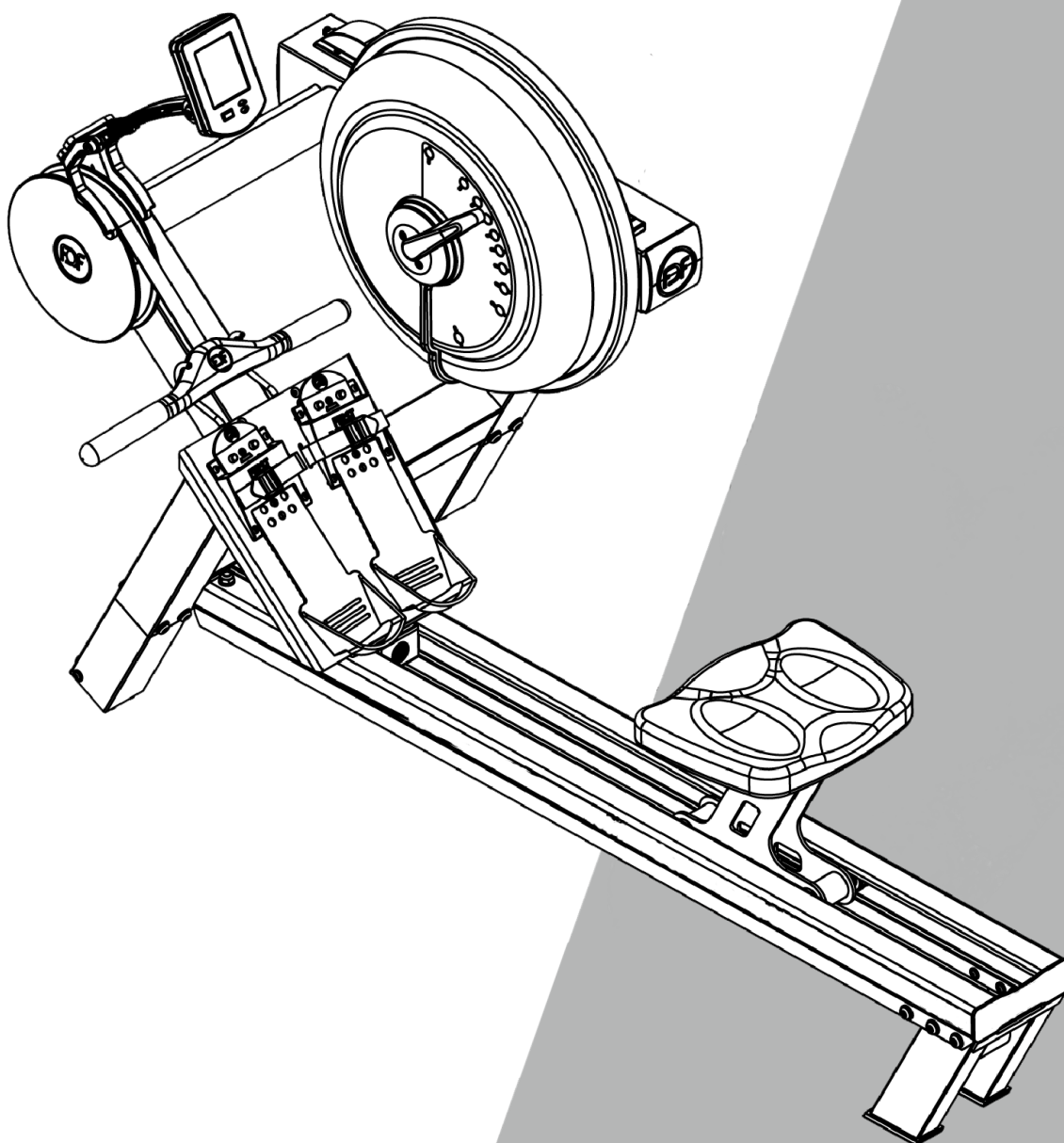


FIRST DEGREE FITNESS



# » Bedienungsanleitung

## ***E550***





# » Einführung

---

Glückwunsch zum Kauf ihres Rower Rudergerät.

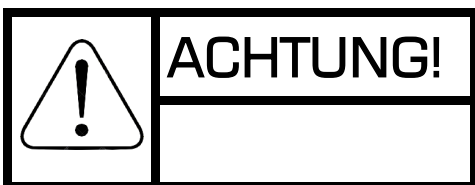
FIRST DEGREE FITNESS ist stolz darauf, ihnen den Rower als das Spitzenmodell unserer exklusiven Reihe an füssigkeitswiderstandsbasierenden Heimgeräteprodukte präsentieren zu dürfen.

Bitte befolgen sie genau alle Anweisungen zur richtigen und sicheren Montage, Tankbefüllung und Wasserbehandlung. Zugang zum weltweiten Vertriebs- und Servicenetzwerk finden sie im Internet auf [www.firstdegreefitness.com](http://www.firstdegreefitness.com)

Überprüfen Sie den Inhalt der Verpackung 1 und Verpackung 2 um sicher zu gehen, dass alle Teile vorhanden sind und korrekt sind bevor Sie mit dem Zusammenbau beginnen.

## Trainieren mit dem Rower


1. Lassen Sie sich wie bei allen Fitnessgeräten vor dem Start Ihres Trainingsprogramms mit Ihrem Rudergerät von einem Arzt beraten.
2. Beachten Sie die Hinweise in dieser Anleitung hinsichtlich der richtigen Fußposition und der grundlegenden Rudertechnik.
3. Weitere Details zur Rudertechnik finden Sie auf unserer professionellen Website unter [www.firstdegreefitness.com](http://www.firstdegreefitness.com)



1. Der Rower kann zum leichteren Verstauen senkrecht gestellt werden. Stellen Sie dazu sicher, daß eine geeigneter und sicherer Platz dafür verwendet wird wie z. Bsp. in der Ecke eines Raumes oder gegen eine Wand
2. Achten Sie darauf Ihre Hände und Finger von bewegten Teilen fernzuhalten so wie es in der Betriebsanleitung erklärt wird.

Sicherheit .....	5
Aufbau.....	7
Ihr E550 auspacken .....	8
Montage.....	9
Bedienungsanweisungen.....	14
Automatisch einstellbarer Bluetooth-Monitor.....	18
Konnektivität für Konsole und APP .....	19
Bluetooth-Herzfrequenz koppeln .....	19
Kalibrierung .....	20
Wartung.....	21
Fehlerbehebung .....	22
Wartung des Rudergeräts.....	23
Garantie.....	25

## Sicherheitsinformationen

- Bitte lesen Sie vor der Benutzung dieses Geräts unbedingt das GESAMTE Benutzerhandbuch und ALLE Anweisungen durch. Das Rower ist ausschließlich für Verwendung gemäß der Beschreibung in diesem Handbuch vorgesehen.
- ALLE WARNHINWEISE MÜSSEN VOLLSTÄNDIG VERSTANDEN WERDEN.
- Dieses Gerät ist ein Gerät der Klasse HC gemäß EN ISO 20957-1. Es ist daher nur für die Nutzung im Privatbereich zugelassen. Es ist nicht für die Verwendung in kommerziellen oder institutionellen Einrichtungen und/oder Fitnessstudios gedacht. Wenden Sie sich an Rower, falls Sie Fragen über diese Klassifizierung haben.
- Wir empfehlen allen Benutzern von Rower Trainingsgeräten, vor dem Gebrauch folgende Informationen zu beachten.
- Wie für jedes andere Fitnessgerät gilt: Lassen Sie sich vor Beginn des Trainings mit dem Rower medizinisch untersuchen.
- Generell wird empfohlen, einen Checkup bei einem dafür ausgebildeten Arzt machen zu lassen, bevor man mit einem Fitnessprogramm beginnt.
- Falsches oder übermäßiges Training kann zu Verletzungen oder Gesundheitsproblemen führen.
-  **WARNUNG** Herzfrequenzmessgeräte können ungenau sein. Überanstrengung kann zu schweren Verletzungen oder zum Tode führen. Wenn Sie sich der Ohnmacht nahe fühlen beenden Sie das Training sofort.
- Bei Zeichen von Verschleiß an den Riemen, Scheiben oder Gummiseilen muss das Gerät sofort angehalten werden. Es darf erst wieder verwendet werden, wenn die entsprechenden Teile repariert oder ausgetauscht wurden.
- Kinder dürfen sich nicht unbeaufsichtigt in der Nähe des Gerät aufhalten.
- Der Rower kann aufrecht aufbewahrt werden. Befolgen Sie dazu die Anweisungen im Kapitel „Grundlegende Vorgehensweisen“ in diesem Handbuch.
- Halten Sie die Hände von beweglichen Teilen fern. Diese sind am Rahmen entsprechend durch Aufkleber gekennzeichnet.
- Wenn Einstellungshilfen aus dem Gerät herausragen, können sie die Bewegung des Benutzers beeinträchtigen.
- Das Gerät darf bei gefülltem Tank nicht unter dem Gefrierpunkt aufbewahrt werden. Das Wasser dehnt sich aus, wodurch Komponenten beschädigt werden können.

## Einbau

- Stellen Sie das Gerät für das Training auf eine stabile, ebene Fläche.
- Überprüfen Sie alle Riemen, Scheiben und Gummiseile regelmäßig auf Zeichen von Verschleiß und tauschen Sie sie gegebenenfalls aus.
- Warten Sie das Gerät regelmäßig gemäß der Anweisungen in diesem Handbuch.
- Tauschen Sie defekte Teile umgehend aus und verwenden Sie das Gerät erst wieder, wenn alle Reparaturarbeiten abgeschlossen sind.





## Richtige Verwendung

- Das Gerät darf keinesfalls zweckentfremdet werden. Es ist unter Beachtung der Rower Herstelleranweisungen zu benutzen, um Verletzungen zu vermeiden.
- Falsches oder übermäßiges Training kann zu Verletzungen führen. Konsultieren Sie vor Beginn eines Trainingsprogramms einen Arzt. Wenn beim Training Schwäche, Schwindelgefühl oder Schmerzen auftreten, brechen Sie das Training SOFORT ab, und konsultieren Sie einen Arzt.
- Halten Sie Körperteile (Hände, Füße, Haare usw.), Bekleidung und Schmuck von beweglichen Teilen fern, um Verletzungen zu vermeiden.
- Befolgen Sie im Hinblick auf die korrekte Fußhaltung und die grundlegende Rudertechnik die Anweisungen in diesem Handbuch.
- Weitere Hinweise zur Rudertechnik finden Sie auf unserer internationalen Website. [www.firstdegreefitness.com](http://www.firstdegreefitness.com)

## Inspection

- Geräte, die beschädigt sind und/oder an denen Teile verschlissen oder gebrochen sind, dürfen nicht benutzt werden. Verwenden Sie für alle Rower-Geräte ausschließlich Rower-Ersatzteile.
- Ausgefranzte Seilzüge und Riemen stellen ein großes Verletzungsrisiko dar. Tauschen Sie Seilzüge oder Riemen stets beim ersten Anzeichen von Verschleiß aus (bei Fragen hierzu wenden Sie sich bitte an Rower).
- **ACHTEN SIE AUF AUFKLEBER UND TYPENSCHILDER** - Aufkleber dürfen nicht entfernt werden. Sie enthalten wichtige Informationen. Bestellen Sie bei unleserlichen oder fehlenden Schildern/Aufklebern Ersatzschilder bei Rower.
- **GERÄTEWARTUNG** - Dieses Gerät muss vorbeugend gewartet werden, um den ordnungsgemäßen Betrieb sicherzustellen und das Verletzungsrisiko zu minimieren. Das Gerät muss regelmäßig untersucht werden.
- Stellen Sie sicher, dass Einstellungs-, Wartungs- oder Reparaturarbeiten ausschließlich von qualifizierten Personen durchgeführt werden.
- **VERWENDEN SIE KEIN ZUBEHÖR, DAS ZWAR FÜR DIE VERWENDUNG MIT ROWER GERÄTEN ZUGELASSEN, ABER OFFENSICHTLICH BESCHÄDIGT ODER VERSCHLISSEN IST.**
- Überprüfen Sie alle Riemen, Scheiben und Gummiseile regelmäßig auf Zeichen von Verschleiß und tauschen Sie sie gegebenenfalls aus.
- Warten Sie das Gerät regelmäßig gemäß der Anweisungen in diesem Handbuch.
- Tauschen Sie defekte Teile umgehend aus und verwenden Sie das Gerät erst wieder, wenn alle Reparaturarbeiten abgeschlossen sind.

## Warnhinweise für die Bedienung

- Kinder vom Rower Gerät fern halten. Eltern oder andere Personen, die mit der Beaufsichtigung von Kindern betraut wurden, müssen Kinder stets im Auge haben, wenn das Gerät in der Gegenwart von Kindern benutzt wird.
- Benutzer des Geräts dürfen keine locker sitzende Bekleidung oder Schmuck tragen. Außerdem sollten Benutzer lange Haare zurückbinden und den Kontakt mit sich bewegenden Teilen vermeiden.
- Alle umstehenden Personen müssen sich fern von Personen, beweglichen Teilen und befestigtem/n Zubehör und Komponenten halten, während die Maschine benutzt wird.
-  **WARNUNG** Stecken Sie Ihre Finger nicht in den Tank!
-  **VORSICHT** Nach dem Rudern Übung, lassen Sie bitte das Gerät für 5 Minuten sitzen, bevor Sie es für die Lagerung.
-  **VORSICHT** Die Kalibrierungsmarkierung auf dem Tank (Aufkleber) darf nicht überschritten werden. Ansonsten kann Wasser austreten.
-  **WARNUNG** Beim Training auf diesem Rudergehäuse müssen die Füße immer sicher mit den Fußriemen fixiert werden und der bewegliche Teil der Fußstütze muss in den passenden Position einrasten!

## Produktspezifikationen

**Produktklasse:** SC

**Bremssystem:** Unabhängig von Geschwindigkeit

**Nettogewicht:** 61.9kg (136.47lb)

**Bruttogewicht:** 72.5kg (159.84lb)

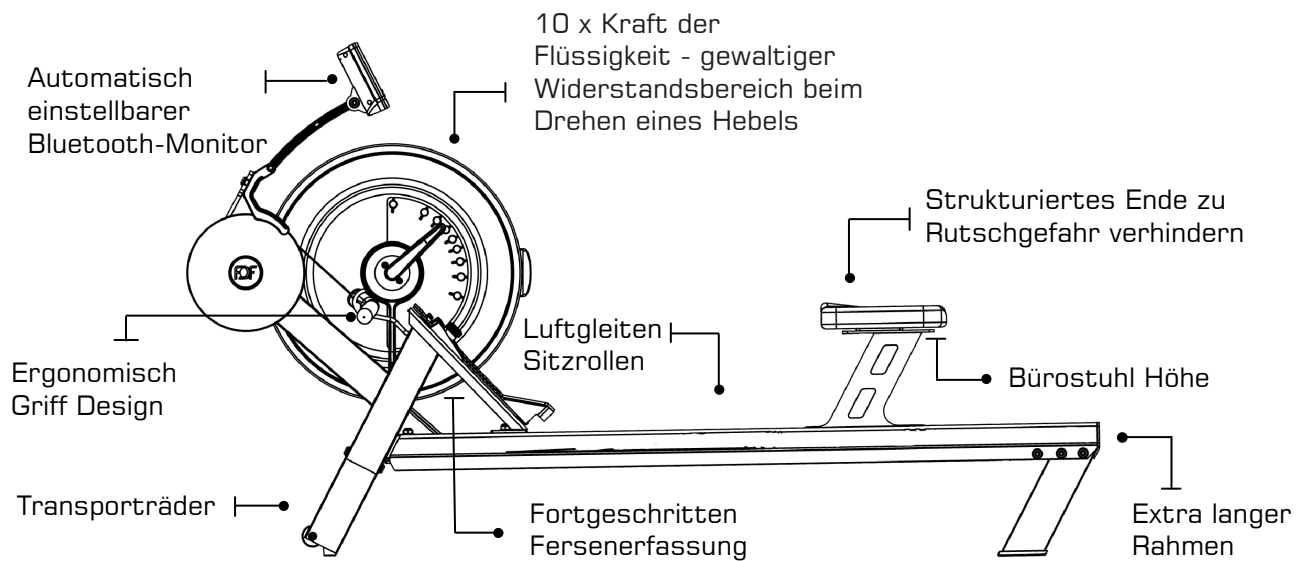
**Min Benutzergewicht:** 315cm (124.02") Länge x 201cm (79.13") Breite

**Abmessungen:** 1950mm(76.77") Länge x 810mm (31.89") Breite x 860mm(33.86") Höhe

**Max Benutzergewicht:** 150kg (330lb)

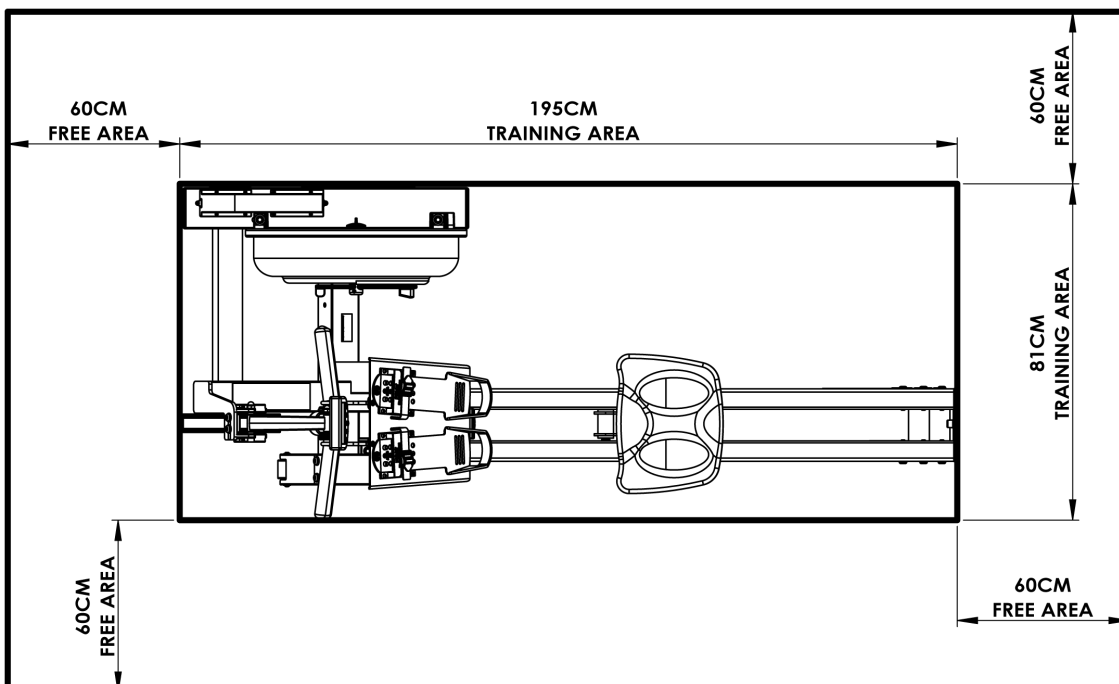
**Kompakter Fußabdruck:** 2550mm x 1410mm or upright 860mm x 810mm

## Highlights des Produkts



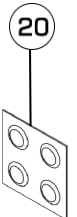
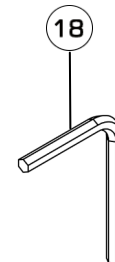
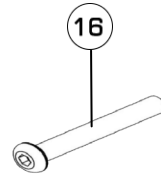
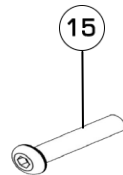
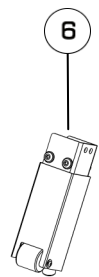
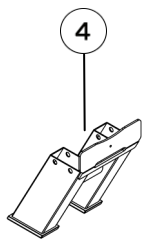
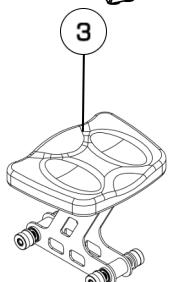
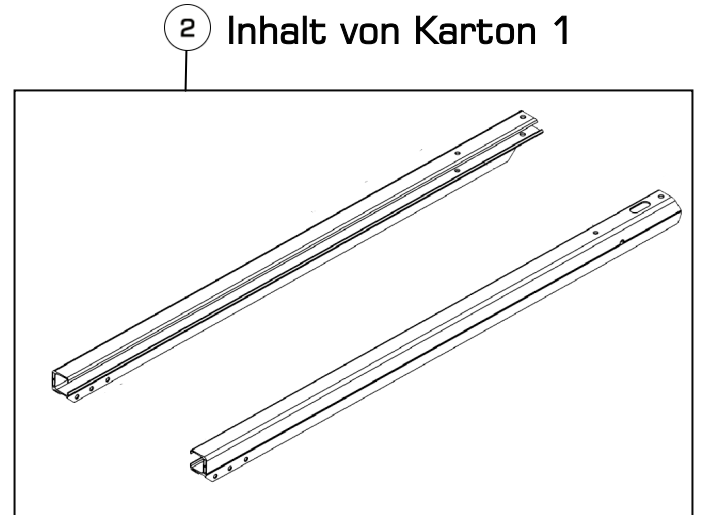
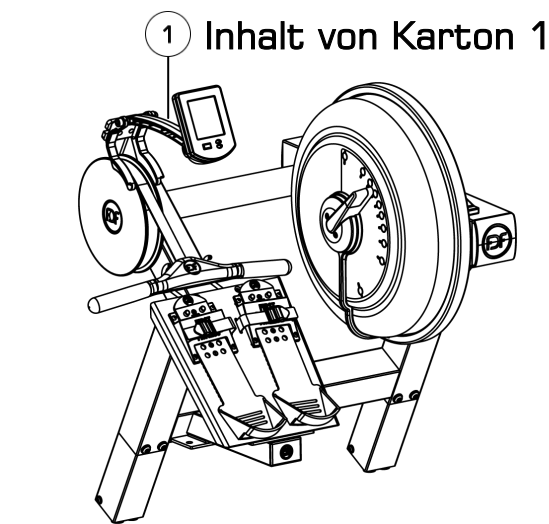
Der Bewegungsbereich muss im Aufstiegsbereich mindestens 23.62" (60 cm) größer sein als der eigentliche Trainingsbereich. Dazu zählt auch der Bereich Für den Notabstieg.

## Aktiver Bereich und Trainingsbereich



Hinweis: Rower ist nicht für therapeutische Zwecke geeignet

# » Ihr E550 auspacken



Bauteil	Anz.	Beschreibung	Bauteil	Anz.	Beschreibung
1	1	Rahmen	6	2	Vorderes Standbein für
2	2	Sitzschiene links/rechts	7	2	D Cell Duracell Batterien
3	1	Rudersitz	8	1	Ausbesserungslack
4	1	Hinteres Standbein	9	1	Bedienungsanleitung
5	1	Trichter mit Schlauch			
<b>Hardware KIT</b>					
10	4	M6 Unterlegscheibe	16	4	M10x70mm Schraube
11	18	M10 Unterlegscheibe	17	1	4mm Inbusschlüssel
12	4	M10 Stoppmutter	18	1	6 mm Inbusschlüssel
13	4	M6x20mm Schraube	19	1	Multifunktionswerkzeug
14	8	M10x20mm Schraube	20	4	Wasseraufbereitungstablette
15	4	M10x47.5mm Schraube			

\* Im Beutel mit Kleinteilen befinden sich nur zwei Schrauben. Die restlichen Schrauben wurden zur Erleichterung der Montage bereits im Voraus in die Rudersitzschienen geschraubt



## SCHRITT 1 Montage des vorderen Standbeins

### BENÖTIGT

Rahmen[1]  
 2 x Hinteres Standbein[4]  
 8 x M10 Unterlegscheibe[11]  
 8 x M10 x 20 mm Schraube [14]

- Nehmen Sie den **Rahmen[1]** aus dem Karton und legen Sie ihn gemäß Abbildung auf eine weiche Unterlage, z.
- Kippen Sie den Rahmen leicht nach oben und montieren Sie das vordere Standbein des Rudergeräts mit **4 x Schrauben M10x20 mm [14]** und **4 x M10 Unterlegscheiben [11]**. Montieren Sie das andere Standbein ebenso.

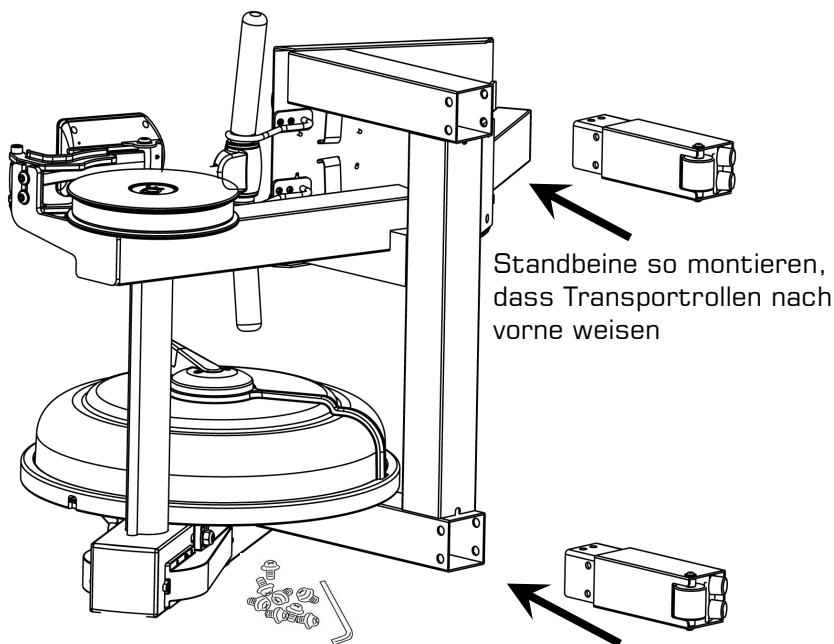
### ! VORSICHT

Entriegeln Sie den Rudergriff, den Fersenversteller und die Computerstange erst nach vollständiger Montage.

Die Bauteile des Rudergeräts, wie Rahmen und Sitzschienen, sind schwer. Seien Sie bei der Montage daher vorsichtig.

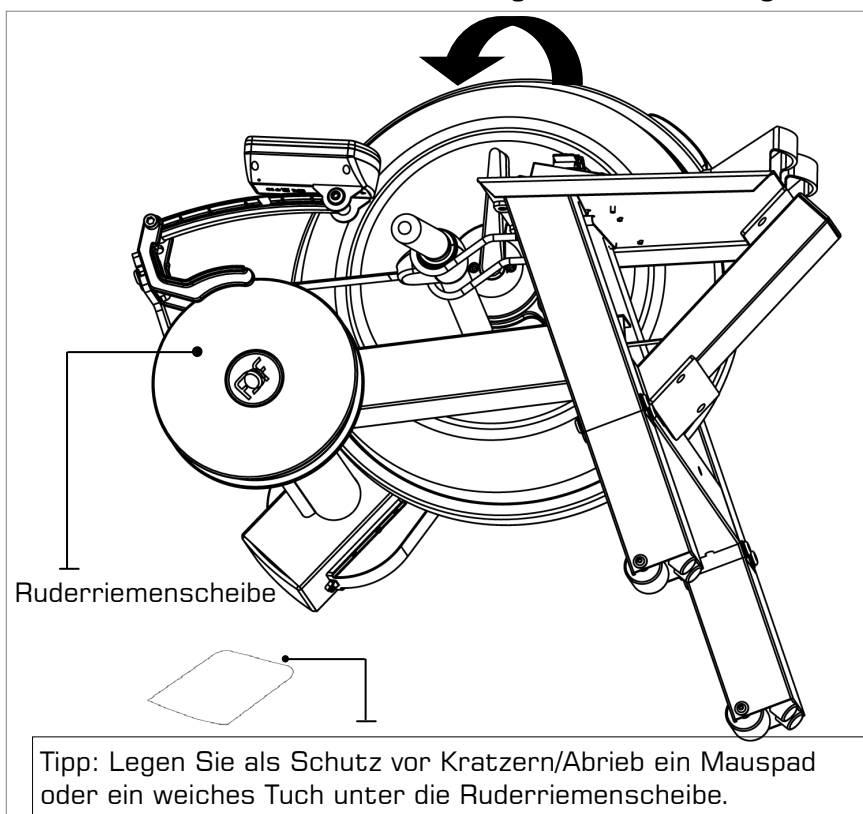
### ! WARNUNG

Der vordere Bereich der Sitzschienen des Rudergeräts, der zum Rahmen weist, könnte scharfkantig sein. Seien Sie bei der Montage daher vorsichtig.



Hauptrahmen leicht nach oben kippen, um unteres Standbein zu montieren

- Stellen Sie den Rahmen des Rudergeräts vorsichtig senkrecht auf.



## SCHRITT 2 Befestigung der Sitzschienen am Rahmen

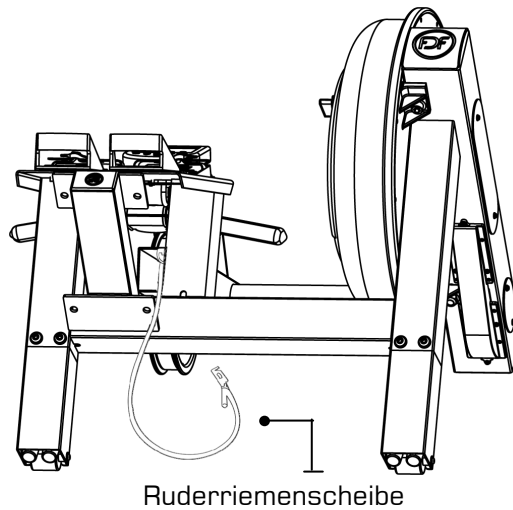
### BENÖTIGT

Rahmen[1]  
 Sitzschiene links/rechts[2]  
 4 x M10 Unterlegscheibe [11]  
 4 x M10 Stoppmutter[12]  
 2 x M10 x 70mm Schraube [16]

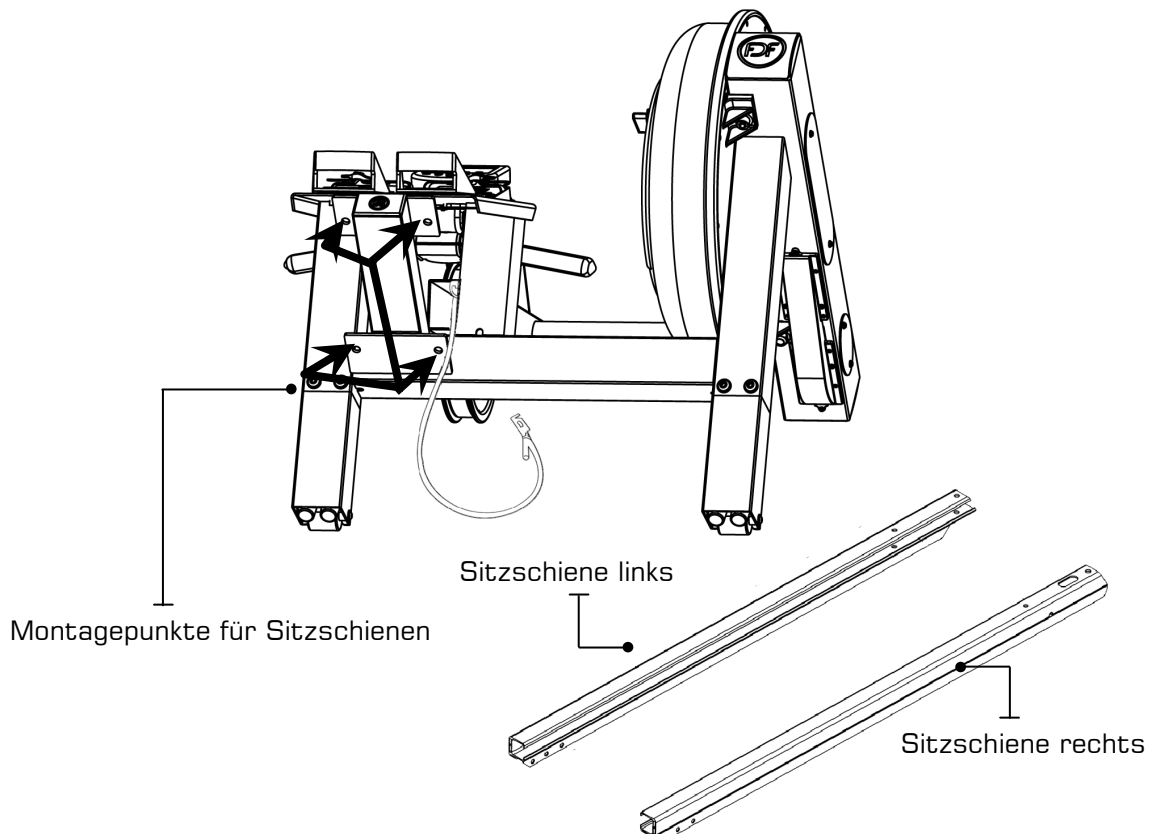
### ! VORSICHT

Stopfmuttern müssen sich für eine ordnungsgemäße Montage außerhalb der Standardmuttern und Unterlegscheiben befinden

- a) Machen Sie den elastischen Spanngurt ausfindig und wickeln Sie ihn vom Rahmen ab, bevor Sie mit der



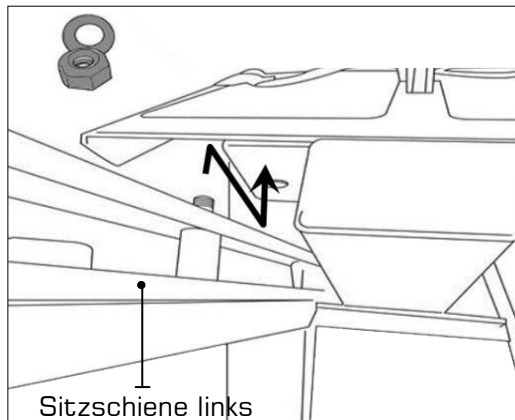
- b) Sobald der Rahmen senkrecht stabil aufgestellt ist, packen Sie im nächsten Montageschritt den Karton 2 aus und nehmen Sie die **linken/rechten Sitzschienen [2]**
- c) Richten Sie die unteren Montagepunkte miteinander aus und fixieren Sie sie mit **Schrauben M10x70 mm [16]**, **Stopfmuttern M10 [12]** und **M10 Unterlegscheiben [11]**



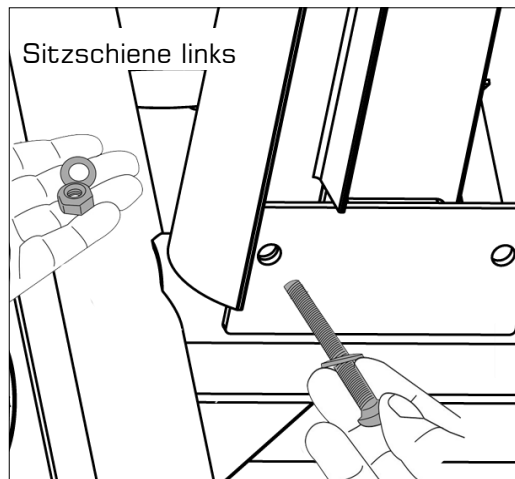
**Hinweis:** 2 x Schrauben M10x80 mm wurden zur Erleichterung der Montage bereits im Voraus in die Sitzschienen geschraubt

## Sitzschienen am Rahmen befestigen

- d) Beginnen Sie mit der **linken Sitzschiene [2]**. Richten Sie die im Voraus eingesetzte **Schraube M10x70 mm [16]** aus und befestigen Sie sie von hinten mit der

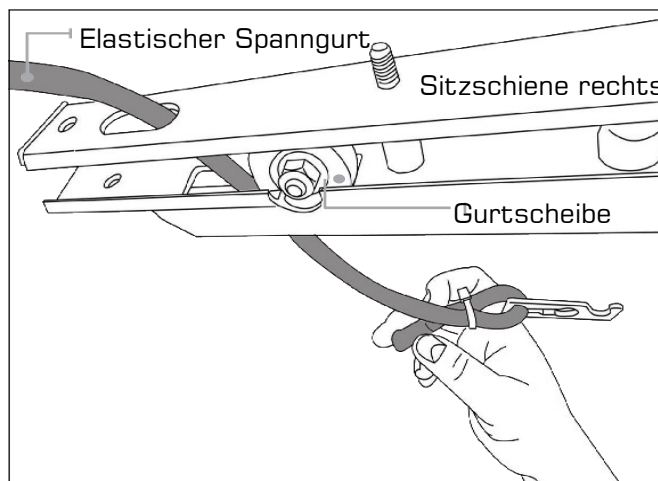


- e) Montieren Sie die untere **linke Sitzschiene [2]** mit **Schrauben M10x70 mm [16]**, **Stopmutter [12]** und **Unterlegscheiben M10 [11]**.



**Hinweis:** 2 x Schrauben M10x80 mm wurden zur Erleichterung der Montage bereits im Voraus in die Sitzschienen geschraubt

- f) Führen Sie vor Montage der **rechten Sitzschiene [2]** den elastischen Spanngurt von oben durch die Sitzschiene, wickeln Sie ihn um die Gurtscheibe und ziehen Sie ihn



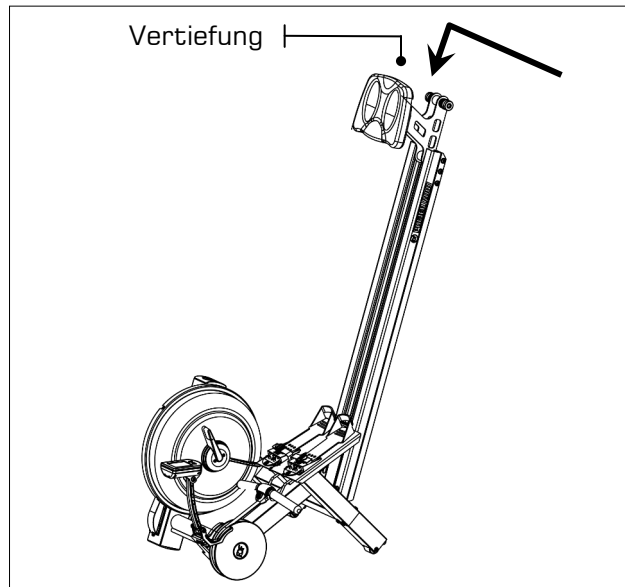
- g) Wiederholen Sie diese Montageschritte danach für die linke Sitzschiene.

## SCHRITT 3 Rudersitz montieren

### ! VORSICHT

Der Rudersitz [3] ist schwer. Achten Sie beim Aufsetzen des Sitzes auf die Sitzschienen darauf, dass Ihre Hände und Finger nicht in die Ruderrillen geraten.

Setzen Sie den montierten Sitz gemäß obiger Abbildung in Pfeilrichtung auf die 2 Schienen. Die Sitzvertiefung muss zur Rückseite des Rudergeräts weisen.



## SCHRITT 4 Hinteres Standbein montieren

### BENÖTIGT

Hinteres Standbein[4]

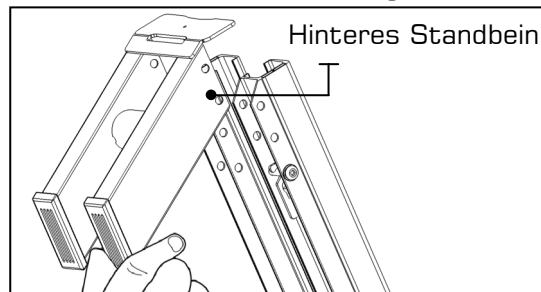
4 x M6 Unterlegscheiben[6]

4 x M10 Unterlegscheiben[11]

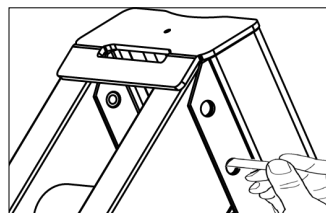
4 x M6x20mm Schrauben[13]

4 x M10x47,5mm Schrauben [15]

- a) Setzen Sie das **hintere Standbein [4]** auf die Sitzschienen und fixieren Sie es gemäß Abbildung.



- b) Montieren Sie zuerst alle **Schrauben M10x47,5 mm [15]** und **Unterlegscheiben M10 [11]** von außen, um das **hintere Standbein [4]** festzuhalten.



- c) Befestigen Sie dann das hintere Standbein mit den **Schrauben M6x20 mm [13]** und den **Unterlegscheiben M6 [10]**



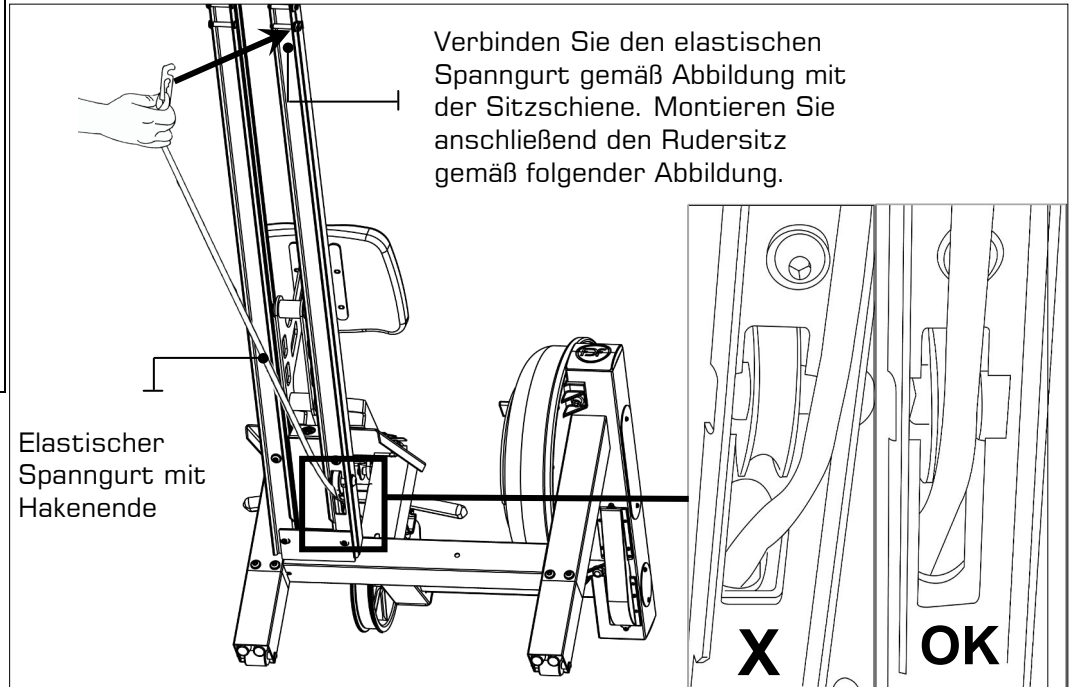
**Hinweis:** Der Haken des Spanngurts wird am dritten Schraubenloch rechts im hinteren Standbein und in der Sitzschiene befestigt.

## SCHRITT 5 Elastischen Spanngurt befestigen

### VORSICHT

Während der Befestigung des elastischen Spanngurts wird dieser gedehnt und ist infolgedessen gespannt. Lassen Sie den gespannten Spanngurt nicht los, denn sonst könnte er Personen verletzen und/oder das Rudergerät beschädigen

- a) Verbinden Sie den elastischen Spanngurt mit der Sitzschiene und montieren Sie den Rudersitz.



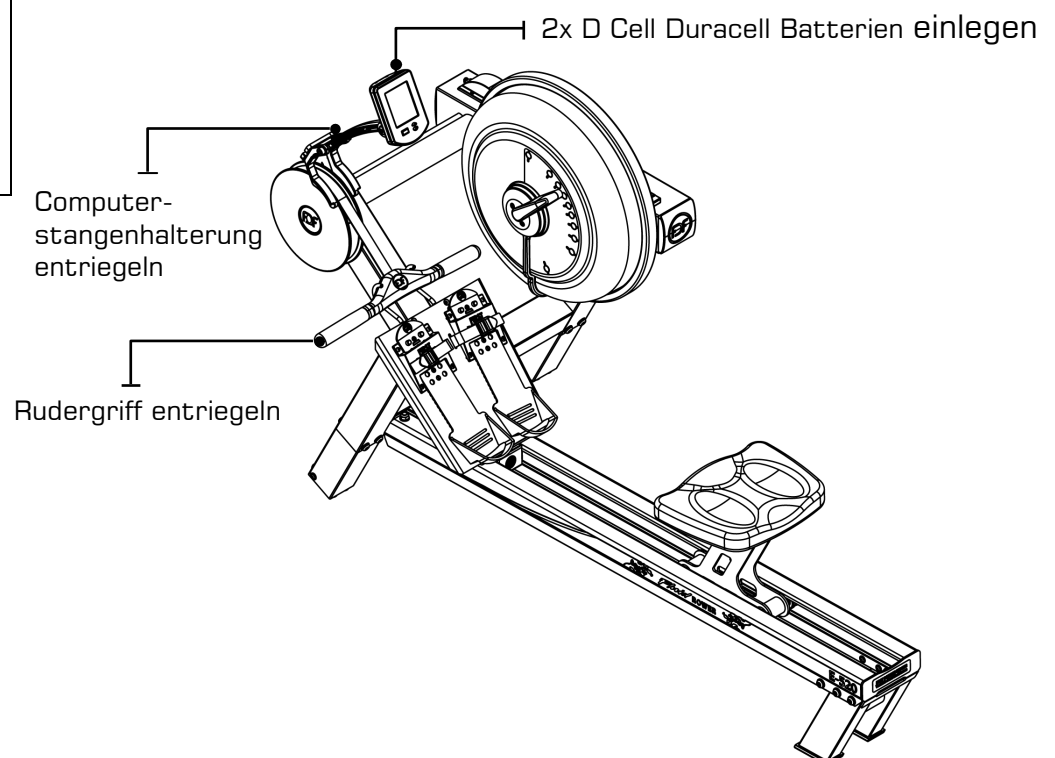
- b) Vergewissern Sie sich beim Einhaken des elastischen Spanngurts, dass er wie oben abgebildet sachgemäß über die Gurtscheibe läuft.

## SCHRITT 6 Montage abschließen

### WARNUNG

Entriegeln Sie den Rudergriff erst dann, wenn der elastische Spanngurt richtig angebracht ist (siehe Schritt 5 der Montagehinweise)

Senken Sie das Rudergerät auf Bedienungsposition ab und entriegeln Sie die Fersenstützplatte, den Rudergriff und die Computerstangenhalterung.





# »» Bedienungsanweisungen

## »» Befüllung des Tanks und Wasseraufbereitung

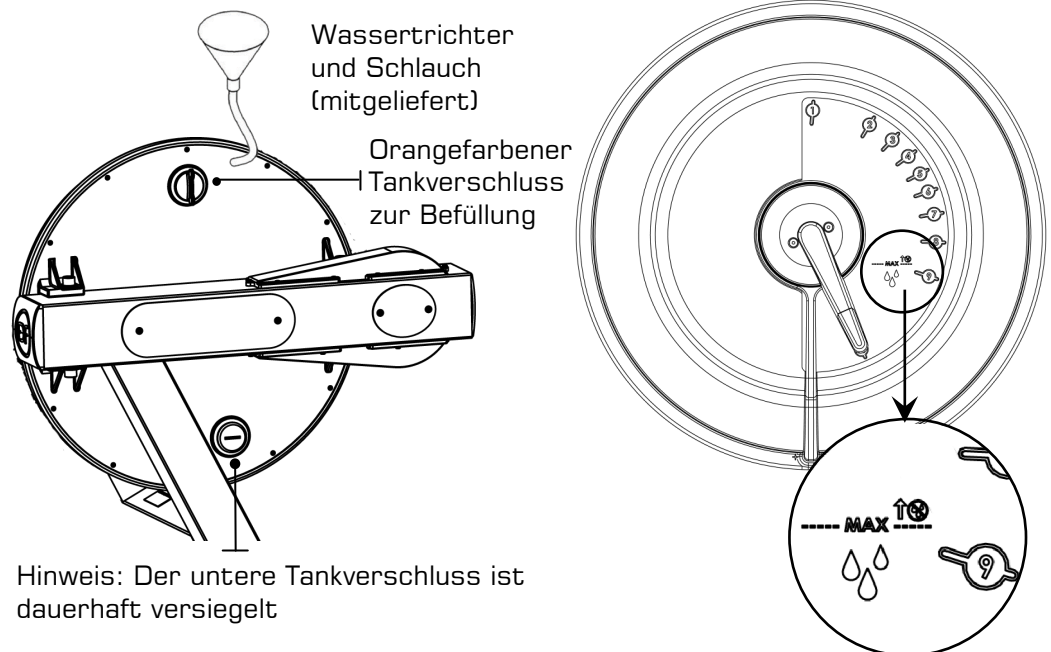
**ERFORDERLICH**  
Trichter und Schlauch [5]

**! VORSICHT**  
Legen Sie beim Befüllen des Tanks ein Tuch als Tropfauffang unter den Tank, um den Fußboden oder Teppich nicht zu beschädigen.  
Befüllen Sie nur bis zur Kalibrierungsmarkierung, die auf dem Tankpegelaufkleber angegeben ist, denn andernfalls kann Wasser austreten.

**! VORSICHT**  
In Regionen, in denen die Wasserqualität bekanntermaßen schlecht ist, ist empfohlen FDF die Verwendung von destilliertem Wasser.

**! WARNUNG**  
Die Blätter des Flügelrads sind scharf! Justieren Sie die Flügelradposition im Tank auf keinen Fall mit Ihren Fingern.  
Es wird empfohlen, das Flügelrad gegebenenfalls mit dem Schlauchende zu justieren.

- Für die Befüllung benötigen Sie einen große Eimern (wird vom Lieferanten nicht mitgeliefert) sowie den mitgelieferten Wassertrichter mit Schlauch [5]. Für die Befüllung braucht man ungefähr 8 Liter Wasser
- Öffnen Sie den gelben Tankverschluss auf der Rückseite des Tanks und stecken Sie den Schlauch in den Tank (eventuell muss das Flügelrad etwas gedreht werden, damit der Schlauch eingeführt werden kann). **In Regionen, in denen die Wasserqualität bekanntermaßen schlecht ist, ist empfohlen FDF die Verwendung von destilliertem Wasser.**
- Setzen Sie den Tankeinstellgriff auf den Pegelwert 10 und füllen Sie Wasser ein. Befüllen Sie den Tank nicht höher als die Pegelanzeige vorne am durchsichtigen Tankmantel.
- Durchlaufen Sie gleich nach der Befüllung die folgenden Schritte zur Wasseraufbereitung.



Hinweis: Der untere Tankverschluss ist dauerhaft versiegelt

**HINWEIS:** Für eine einfache, schnelle und effiziente Befüllung und/oder Entleerung des Flüssigkeitstanks kann eine batteriebetriebene Pumpe (über USB wiederaufladbar) als Option erworben werden. Wir empfehlen diese für eine gewerbliche Nutzung von mehreren Geräteeinheiten, deren Tanks von Zeit zu Zeit entleert und befüllt werden müssen. Wenden Sie sich für den Pumpenkauf an einen First Degree Fitness-Händler in Ihrer Nähe oder prüfen Sie die entsprechenden Details auf unserer Website unter [www.firstdegreefitness.com](http://www.firstdegreefitness.com) for details.

### ERSTMALIGE WASSERAUFBEREITUNG

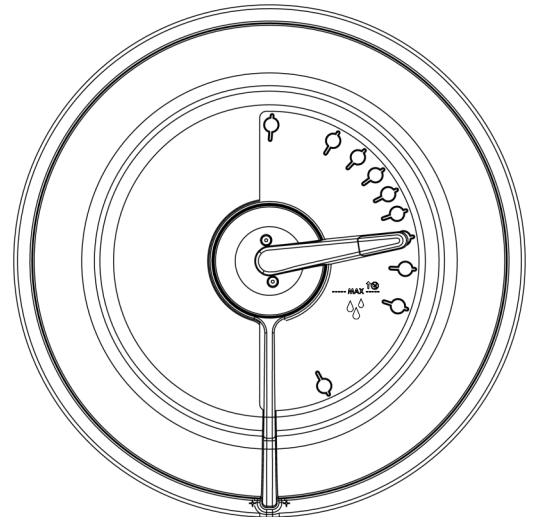
Geben Sie bei jeder vollen Tankfüllung eine Wasseraufbereitungstablette hinzu. **VERWENDEN SIE IN JEDEM FALL NUR DIE AUFBEREITUNGSTABLETTEN, DIE SIE VOM LIEFERANTEN ZUSAMMEN MIT IHREM GERÄT ERHALTEN HABEN.** Ihrem Fitnessgerät sind 4 Wasseraufbereitungstabletten mitgeliefert, die für mehrere Jahre ausreichen. Wenden Sie sich für den Kauf zusätzlicher Wasseraufbereitungstabletten bitte an einen regionalen Einzel-/Großhändler in Ihrer Nähe oder schauen Sie auf unserer Website unter [www.firstdegreefitness.com](http://www.firstdegreefitness.com)

# » Bedienungsanweisungen

## Widerstand ändern

Das Ändern des Widerstands auf Ihrer E550 ist einfach. Die Höhe des Widerstandes wird durch die Füllstandsanzeige auf der Vorderseite des Tanks bestimmt. Die erste Stufe weist auf den geringsten Widerstand hin, die zehnte auf die schwerste. Die variable Flüssigkeitswiderstandstechnologie des Tanks sorgt für einen sofortigen Fang und konstanten Widerstand während der gesamten Bewegung.

Ihr E550-Computer passt sich automatisch an den Widerstandswert an, der am Tank gewählt wurde. Warten Sie nach dem Einstellen des Widerstandsgriffs drei bis vier Sekunden, bis der richtige Widerstandswert erreicht ist.



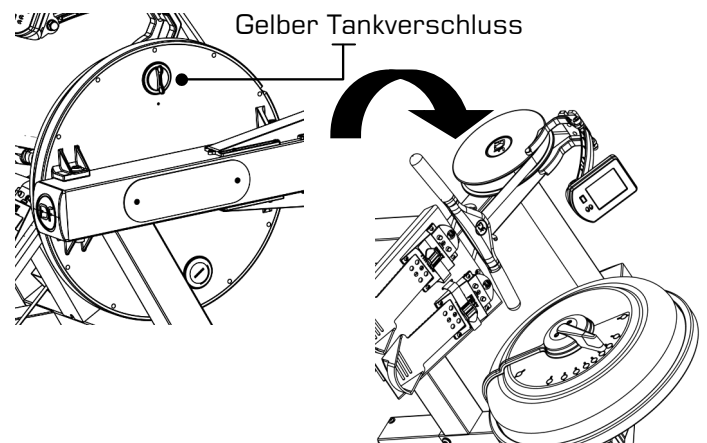
## Wasseraufbereitung

**WARNUNG:** Verwenden Sie für die Wasseraufbereitung nur die Ihrem Gerät mitgelieferte Tablette! Der Zeitabstand zwischen den Wasseraufbereitungen kann je nach Aufstellungsort und Sonnenbestrahlung erheblich variieren. Falls sich das Wasser verfärbt oder Anzeichen von Algen-/Bakterienwachstum aufweist, sollten Sie sich zum Kauf weiterer Tabletten an Ihren nächstgelegenen Händler wenden.

**! WARNUNG**  
Verwenden Sie nur die Aufbereitungstabletten, die Sie zusammen mit Ihrem Gerät erhalten haben.

## Tank entleeren / Wasser wechseln

1. Öffnen Sie den gelben Tankverschluss.
2. Kippen Sie das Rudergerät, um es auf die Seite zu legen. Sobald sich das Rudergerät in dieser Position befindet, kann der Tank entleert werden.
3. Hinweise für eine neuerliche Befüllung finden Sie unter „Befüllung des Tanks“ in dieser Anleitung (Schritt 7, Seite 14).



**VORSICHT:** Das Rudergerät ist schwer. Versuchen Sie daher nicht, den Tank alleine zu entleeren. Es wird empfohlen, dass das Rudergerät von zwei Personen in die Entleerposition gekippt wird.

## LAGERUNG

Das Rudergerät kann vertikal stehend auf kompakte Weise gelagert werden. Wählen Sie aus Sicherheitsgründen einen geeigneten Lagerort, z. B. eine Zimmerecke. Es wird empfohlen, etwas Weiches (z. B. Teppich oder kleines Handtuch) unter die Riemenscheibe des Rudergeräts zu legen, um den Fußboden nicht zu verkratzen oder zu beschädigen.

**VORSICHT:** Das Rudergerät ist schwer und sollte daher hinten angehoben und in einem Winkel von 45 Grad gezogen werden.

## » Bedienungsanweisungen

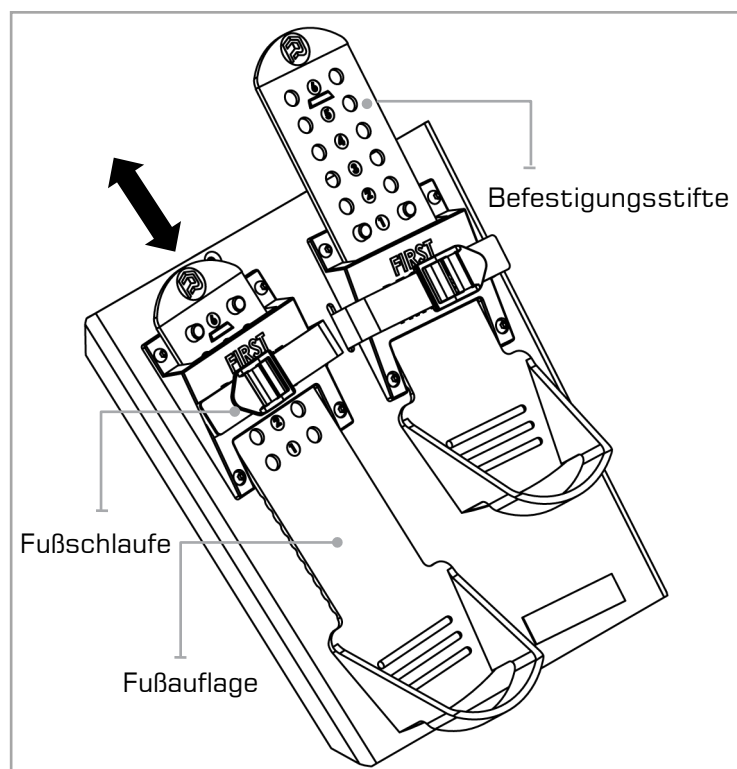
### » Fußplatten verstellen

Die Gleitfußplatte bietet Platz für die meisten Fußgrößen und ist so ausgelegt, dass Ihre Füße beim Rudern sicher gehalten werden.

#### ANLEITUNG ZUM VERSTELLEN:

Heben Sie die Fußplatte oben hoch und aus den Befestigungsstiften heraus, und ziehen Sie sie vertikal von 1-6 entsprechend Ihrer Fußlänge heraus. Stecken Sie die Fußplatte wieder in die Befestigungsstifte hinein und drücken Sie sie fest nach unten, um sie zu fixieren. Setzen Sie Ihre Füße auf die Fußplatte und ziehen Sie die Fußschlaufen fest an, sodass Ihre Füße eng an den Fersenhaltern anliegen.

Hinweis: Die Fersenhalter sollten sich biegen, damit Ihre Füße sich während des Ruderns auf natürliche Weise drehen können.



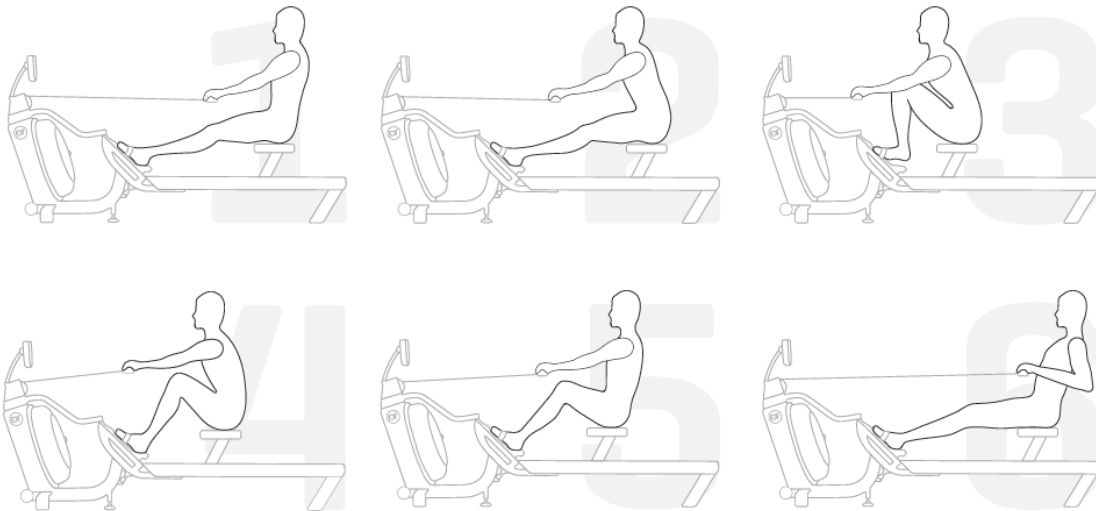
**WARNUNG:** Trainieren Sie nie mit diesem Rudergerät, wenn Ihre Füße nicht richtig in den Fußschlaufen gesichert sind oder wenn das Gleitteil der Gleitfußplatte nicht eingerastet ist!



# »» Bedienungsanweisungen

## »» Rudertraining beginnen

Ein vollständiger Ruderschlag ist in sechs Phasen unterteilt



1. Sitzen Sie mit ausgestreckten Beinen und geradem Rücken und beugen Sie sich in den Hüften leicht nach vorne, wobei die Arme ausgestreckt sind und die Hände sich auf Höhe der unteren Rippen befinden. Schwingen Sie wieder zurück.
2. Beugen Sie sich mit ausgestreckten Beinen und geradem Rücken in den Hüften leicht nach vorne; Arme sind nach vorne ausgestreckt. Beugen Sie sich vorwärts und gleiten Sie nach vorne.

**Hinweis:** Die Hände sollten sich jetzt auf Kniehöhe befinden, Beine bleiben ausgestreckt.

3. Bewegen Sie die Beine nach vorne, sodass die Schienbeine möglichst senkrecht stehen. Der Rücken bleibt bei leicht nach vorne gebeugter Haltung gerade, wobei die Arme weiterhin nach vorne ausgestreckt sind. Jetzt beginnt sofort der kräftige DURCHZUG.
4. Die Knie werden halb durchgedrückt, wobei der Sitz bis in die Mitte der Ruderschienen fährt; Rücken und Arme sind weiterhin gerade. Führen Sie den Ruderschlag weiter.
5. Die Knie werden fast durchgedrückt; der Rücken bleibt gerade, lehnt sich in den Hüften aber leicht nach hinten. Die Arme sind gerade. Drücken Sie jetzt ganz durch.
6. Die Beine sind jetzt ganz ausgestreckt. Der Rücken ist gerade und leicht nach hinten gelehnt; ziehen Sie jetzt die Arme bis auf Brustnähe zurück, wobei die Unterarme in eine horizontal Position kommen und die Ellbogen sich in der Nähe des Brustkorbs befinden. Das ist der Endzug.

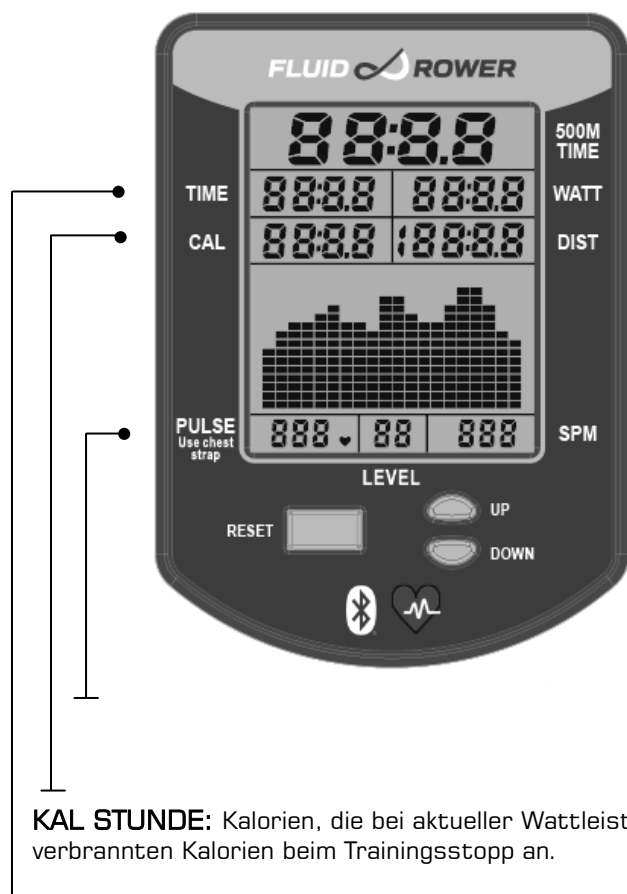
Weitere Informationen über die korrekte Rudertechnik und Trainingstipps finden Sie auf unserer Website unter [www.firstdegreefitness.com/indoor-rowing-technique](http://www.firstdegreefitness.com/indoor-rowing-technique)

# » Automatisch einstellbarer Bluetooth-Monitor

**Automatischer Start:** Beginnen Sie mit dem Training, um das Gerät zu aktivieren.

**Zurücksetzen aller Werte:** Halten Sie die Taste ZURÜCKSETZEN 3 Sekunden lang gedrückt.

**Automatisches Abschalten:** Nach 5 Minuten. Alle Werte sind nach dem Neustart auf Null zurückgesetzt.



- **500M TIME:** Zeit die für 500m Ruderstrecke benötigt wird, wird mit Vollendung jedes Schlages aktualisiert.
- **WATT:** Die Leistungseinheit wird pro Ruderschlag aktualisiert.
- **ENTFERNUNG:** Wird jede Sekunde aktualisiert.
- **LEISTUNGSKURVE:** Durch Drücken von ZURÜCKSETZEN wird anstelle der Leistungskurve die kumulierte Leistungskurve angezeigt.
- **SPM:** Die Schläge pro Minute werden mit jedem Ruderschlag aktualisiert.
- **PEGEL:** Passt den Pegel gemäß Fluid-Krafthebel automatisch an.

**PULS:** Wird alle zwei Sekunden aktualisiert. Mit polarem Empfänger für die Herzfrequenz und dem Daten sendenden

**KAL STUNDE:** Kalorien, die bei aktueller Wattleistung pro Stunde verbrannt werden. Zeigt die insgesamt verbrannten Kalorien beim Trainingsstopp an.

**ZEIT:** Automatischer Start nach abgelaufenen Zeit.

**HINWEIS :** Das Empfängerset für die Herzfrequenz mitsamt Brustgurt müssen separat erworben werden.


**WATT:** Misst die Spitzenleistung in Watt und berechnet die Kraft und Beschleunigung, um die Leistung eines Nutzers genau zu bemessen.

**TRAININGSDATEN:** Die pro Trainingseinheit erfassten Daten werden in einer Leistungskurve und einer kumulierten Leistungskurve angezeigt, sodass Sie Vergleiche für einen effektiven Trainingsfortschritt in Echtzeit ziehen können.

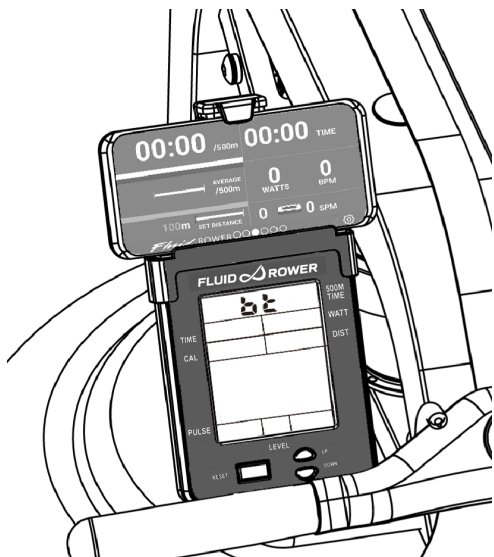
**AUTO-PEGELANPASSUNG:** Das eingebaute Potentiometer passt die Widerstandsstufe des Computers gemäß der Position des Verstellknopfes am Tank automatisch an.

**BLUETOOTH-KONNEKTIVITÄT:** Jedes Rudergerät ist mit modernster Konsolentechnologie ausgestattet, sodass Bluetooth-Konnektivität mit einem beliebigen kompatiblen Smart-Gerät gegeben ist. Auf Einbindung in Ruder- und Fitness-Apps ausgelegt, unterstützt die Konsole mit effektivem Trainingsfortschritt, der Aufzeichnung und dem Vergleich von Daten für Teilnehmer von Wettkämpfen. (Einschließlich FDF-Ruder-APP, die über die FDF-Website verfügbar ist)

**HINWEIS:** Der Daten sendende Brustgurt muss separat erworben werden.

 <b>WARNUNG:</b>	<p>Systeme zur Herzfrequenzüberwachung könnten falsche Werte anzeigen. Übermäßiges Trainieren kann schwere Verletzungen oder den Tod zur Folge haben. Wenn Sie sich einer Ohnmacht nahe fühlen, hören Sie sofort mit dem Training auf!</p>
--	--

# » Konnektivität für Konsole und APP



Laden Sie die FluidRower App für IOS und Android herunter. .

Download Link unten:

IOS:

<https://itunes.apple.com/tw/app/fluidrower/id1449683562?mt=8>



Android:

<https://play.google.com/store/apps/details?id=com.firstdegreefitness.fluidworkout>



Halten Sie die Tasten UP und DOWN für 5 Sekunden zusammen, um Bluetooth zu starten .

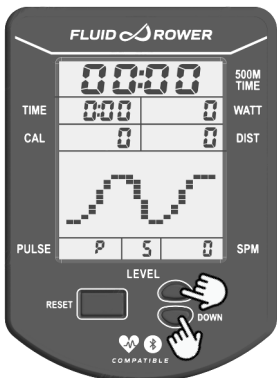
Offene APP und verbinden.

[https://drive.google.com/file/d/1uE1U5kXwawropkinD\\_hVAAWA0esDhnwH/view?usp=sharing](https://drive.google.com/file/d/1uE1U5kXwawropkinD_hVAAWA0esDhnwH/view?usp=sharing)



Benötigt Herzfrequenz-Brustgurt, um Herzfrequenz-Funktion angezeigt werden .  
Heart Rate Chest Strap separat verkauft.

## » Bluetooth-Herzfrequenz koppeln



Halten Sie die Tasten „Aufwärts“ und „Abwärts“ 3 Sekunden lang gedrückt.



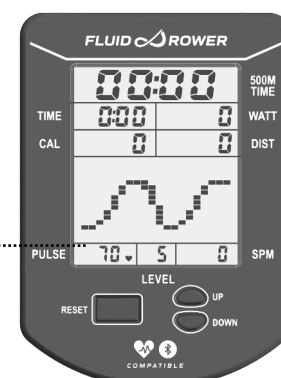
Drücken Sie zum Aufrufen des Modus zur Kopplung der Bluetooth-Herzfrequenz „Abwärts“.



Die Konsole zeigt nun einen 4-stelligen Kopplungscode und einen 1-minütigen Countdown.

**Hinweis: Bitte** schalten Sie Ihren Herzfrequenzsensor ein und bereiten Sie ihn auf die Kopplung vor.

Herzfrequenz

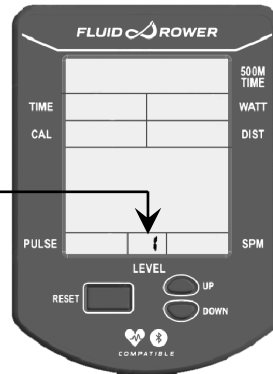
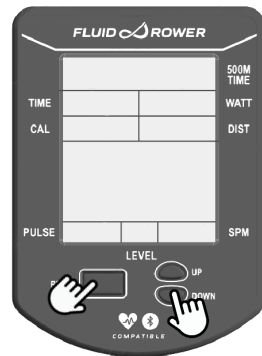


Die Konsole koppelt sich automatisch mit dem nächstgelegenen Bluetooth-Herzfrequenzsensor. Bei Abschluss der Kopplung springt die Konsole zum Startbildschirm zurück und beginnt mit der Anzeige der Herzfrequenz.

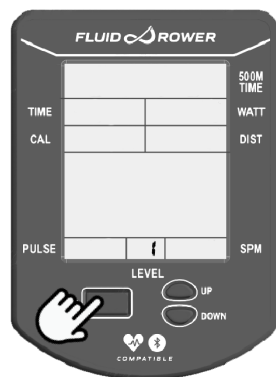
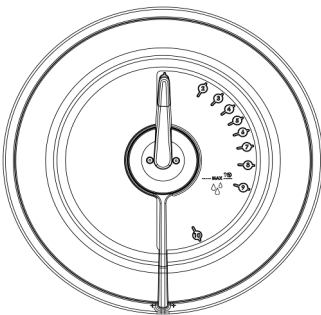
# » Kalibrierung

## SCHRITT 1

Halten Sie die Tasten 「ZURÜCKSETZEN」 und 「RUHEN」 5 Sekunden lang gedrückt. Es wird „STUFE 1“ angezeigt

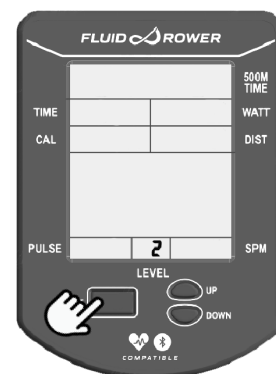
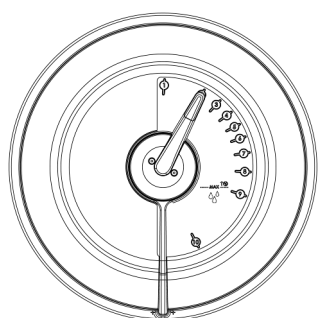


## SCHRITT 2



Drehen Sie den Einstellgriff auf STUFE 1. Halten Sie die Tasten 「ZURÜCKSETZEN」. Der Monitor zeigt jetzt STUFE 『2』. Dass die Kalibrierung für STUFE 1 abgeschlossen ist.

## SCHRITT 3



Drehen Sie den Einstellgriff auf STUFE 2. Halten Sie die Tasten 「ZURÜCKSETZEN」. Der Monitor zeigt jetzt STUFE 『3』. Dass die Kalibrierung für STUFE 2 abgeschlossen ist.

## SCHRITT 4

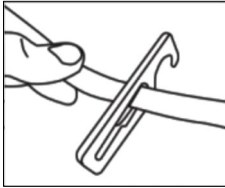
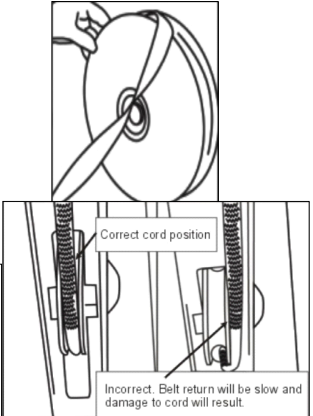
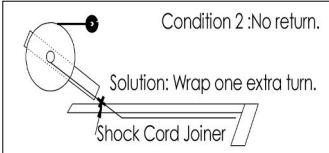
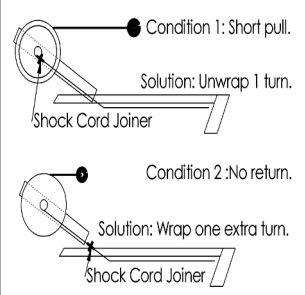
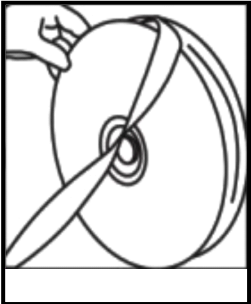
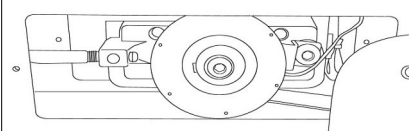
Wiederholen Sie dies für 3,4,5,6,7,8,9,10. STUFE 10 Drücken Sie 「ZURÜCKSETZEN」. Wiederholen Sie die Schritte zurück zu Stufe 1. Dass die Kalibrierung für abgeschlossen ist.

Sämtliche vorbeugenden Wartungsarbeiten müssen regelmäßig durchgeführt werden. Indem routinemäßige vorbeugende Wartungsarbeiten durchgeführt werden, wird ein sicherer, störungsfreier Betrieb sämtlicher FIRST DEGREE FITNESS-Geräte unterstützt.

FIRST DEGREE FITNESS ist nicht verantwortlich für die regelmäßige Überprüfung und Wartungsarbeiten Ihrer Geräte. Unterweisen Sie sämtliches Personal bezüglich Geräteüberprüfung und Wartungsarbeiten und betreffend. Meldung/Protokollierung von Unfällen. Mitarbeiter von FIRST DEGREE FITNESS stehen Ihnen zur Verfügung, um alle möglichen Fragen zu beantworten.

Bauteil	Zeitraumen	Anweisungen	Anmerkungen
Sitz und Sitzschienen.	Wöchentlich.	Wischen Sie die Sitzschienen mit einem sauberen, trockenen Tuch ab. Sprühen Sie etwas Silikonspray innen auf die Schienen.	
Rahmen.	Wöchentlich.	Wischen Sie ihn mit einem fusselfreien Tuch ab.	
Tank und Wasseraufbereitung.	12 Monate bis zwei Jahre.	Befolgen Sie die Hinweise im Abschnitt „Wasseraufbereitung“ in dieser Anleitung.	
Spanngurt.	Prüfen Sie nach jeweils hundert Stunden, ob er noch richtig gespannt ist und ob Anzeichen von Abnutzung zu sehen sind.	Der Spanngurt sollte viele Jahre halten. Muss er ersetzt werden, beachten Sie die Hinweise im Abschnitt „Austausch des Spanngurts“ in dieser Anleitung.	
Ruderriemen.	Prüfen Sie nach jeweils hundert Stunden, ob er noch richtig gespannt ist und ob Anzeichen von Abnutzung zu sehen sind.	Der Ruderriemen sollte viele Jahre lang problemlos verwendbar sein. Muss der Ruderriemen ersetzt werden, wenden Sie sich an den Kundendienst vor Ort oder informieren Sie sich online unter <a href="http://www.firstdegreefitness.com">www.firstdegreefitness.com</a> .	

# » Fehlerbehebung

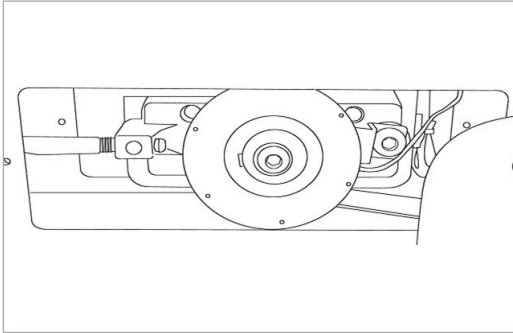
Fehler	Mögliche Ursache	Lösung
Die Farbe des Wassers ändert sich oder es wird trübe.	Das Rudergerät ist einer direkten Sonneneinstrahlung ausgesetzt oder die Wasseraufbereitung wurde ignoriert.	Stellen Sie das Rudergerät an einer anderen Stelle auf, an der die Sonneneinstrahlung weniger stark ist. Führen Sie eine Wasseraufbereitung durch oder wechseln Sie das Wasser im Tank wie im Abschnitt „Wasseraufbereitung“ in dieser Anleitung beschrieben. Befüllen Sie den Tank eventuell mit destilliertem Wasser.
Der Rücklauf des Ruderschlags ist zu leichtgängig.	<p>Der Spanngurt ist nicht ausreichend gespannt.</p> <p>Es fehlt eine Umwicklung des Ruderriemens um die Ruderriemenscheibe.</p> <p>Der Spanngurt ist aus der Seilscheibe herausgerutscht.</p>	<p>Lösen Sie die Bindung des Gurts und ziehen Sie ihn am Haken fest.</p>   
Computerbildschirm ist eingeschaltet, aber es werden keine Ruderschläge registriert.	Verbindung zu locker oder ausgefallen/Sensorlücke zu breit (siehe unbeständige Computeranzeige).	Vergewissern Sie sich, dass das Computerkabel richtig angeschlossen ist. Ist die Verbindung fest, prüfen Sie die Sensorlücke. Wenden Sie sich an Ihren Kundendienst vor Ort, wenn sich das Problem mit den obigen Maßnahmen nicht beheben lässt.
Der Ruderriemen reicht nicht ganz bis zum Ende des Ruderschlags oder es ist kein Widerstand vorhanden.	Der Ruderriemen muss eine Umwicklung abgewickelt werden oder muss zusätzlich ein weiteres Mal um die Ruderriemenscheibe gewickelt werden.	 
Der Computer des Rudergeräts reagiert nach dem Einlegen der Batterien nicht.	Die Batterien sind nicht richtig eingelegt oder müssen ersetzt werden.	Legen Sie die Batterien richtig ein und wiederholen Sie den Vorgang. Sollte sich der LCD-Bildschirm weiterhin nicht einschalten, drehen Sie die Batterien im Computer leicht hin und her. Sollte auch dies nichts nutzen, wenden Sie sich an den Kundendienst vor Ort.
Der Computer des Rudergeräts zeigt die Daten für SPM und die 500-Meter-Abschnitte unzuverlässig an.	Die Lücke zwischen dem Sensor und dem Magnetring ist zu breit.	 <p>Remove large service cover and check gap between sensor and magnetic ring (should be no more than 2.5mm).</p>
Der Monitor-Wert Bluetooth-Auto-Anpassung ist nicht mit dem Tank-Wert synchronisiert.	Monitor-Wert von Bluetooth-Auto-Anpassung muss neu kalibriert werden.	Bitte beachten Sie „Kalibrierung“ auf Seite 19 dieser Anleitung.



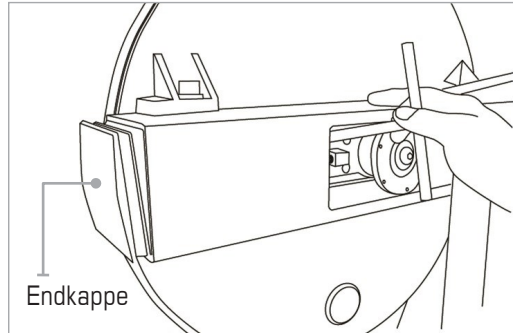
# »» Wartung des Rudergeräts

## Einstellung des Tankriemens

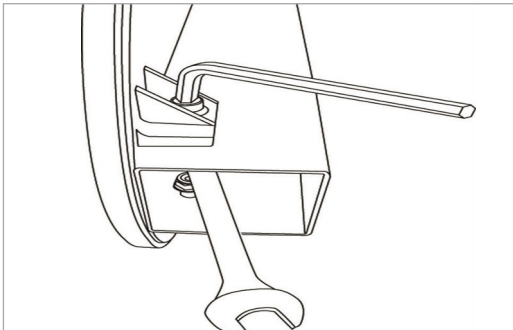
1. Entfernen Sie die große Wartungsabdeckung aus Metall.



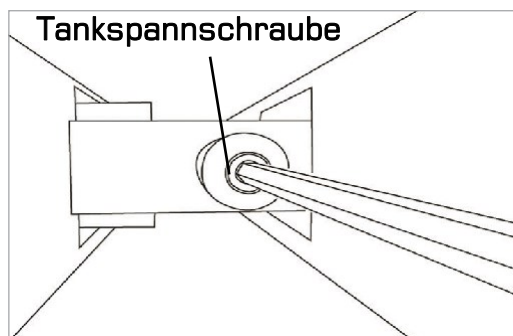
2. Drücken Sie die Endkappe an der Rückseite mit einem langstieligen Werkzeug heraus, wie unten links abgebildet ist. Dadurch bekommen Sie Zugang zur Tankspannschraube (siehe unten rechts).



3. Lösen Sie die Tankschrauben an der Vorder- und Rückseite um einige wenige Drehungen, wie links abgebildet ist. Nehmen Sie die vordere Riemenabdeckung aus Gummi ab.



4. Spannen Sie den Riemen mit der Tankspannschraube und einem 6-mm-Inbusschlüssel, bis der Riemen auch bei kräftigen Ruderschlägen nicht mehr herausrutscht.



**Hinweis:** Ziehen Sie die Tankspannschrauben nicht zu fest an.

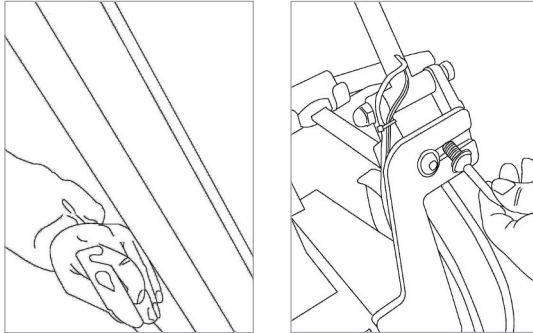
**Tipp:** Verdrehen Sie den Riemen mit der Hand, um seine Straffheit zu prüfen. Die richtige Riemenspannung ist erreicht, wenn ein Verdrehen um mehr als 60 Grad nicht mehr möglich ist.

# » Wartung des Rudergeräts

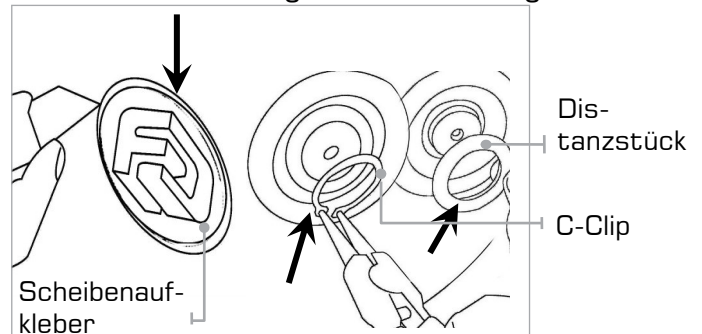
## Spanngurt ersetzen. Unterstützung des Händlers erforderlich

(Rechnen Sie bei in Fitness-Centern genutzten Spanngurten mit einer 2-5-jährigen Lebenszeit. Eine Beschädigung während der erstmaligen Montage des Rudergeräts wird von der Garantie nicht abgedeckt.)

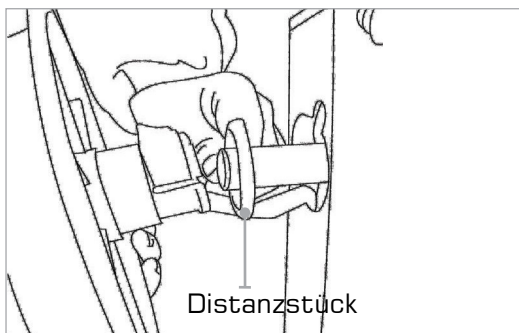
1. Haken Sie den Spanngurt aus.  
Entfernen Sie die Computerhalterung mit einem 6-mm-Inbusschlüssel.



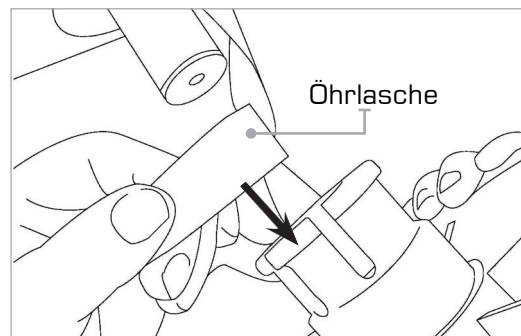
2. Ziehen Sie den Aufkleber auf der Riemenscheibe vorsichtig nach hinten ab und entfernen Sie ihn. Entfernen Sie dann den C-Clip und das schwarze Distanzstück gemäß Abbildung.



3. Entfernen Sie die Riemenscheibe und das Distanzstück. Entfernen Sie den Haken des Spanngurts aus der Scheibe und nehmen Sie den Gurt durch Herausziehen von unten ab.



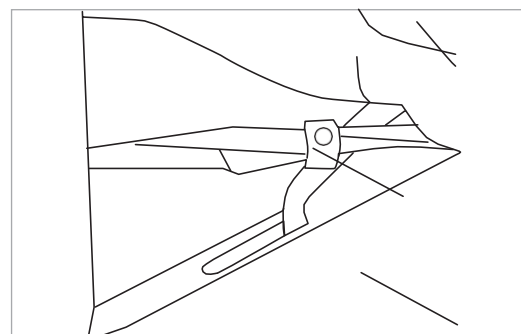
4. Führen Sie den neuen Spanngurt von unten ein und befestigen Sie die Endlasche wieder an der Riemenscheibe.



5. Befestigen Sie das Distanzstück am Ende der Riemenscheibe und stecken Sie die Lasche mit Hilfe des „Öhrs“ in das Gerät. Das Distanzstück muss eventuell ein wenig schräg gehalten werden, damit es hindurchgeht.



6. Haken Sie den Gurt wieder am Ende der Sitzschiene ein und bringen Sie das äußere Distanzstück, den C-Clip und den Aufkleber an. Testen Sie, ob alles richtig montiert ist. Sollte sich der C-Clip nicht wieder einbauen lassen, entfernen Sie die Scheibe und versuchen Sie es erneut, denn die Lasche könnte sich verklemt haben.



**Hinweis:** Wenn das innere schwarze Distanzstück nicht in den Rahmen hineinpasst, klopfen Sie leicht auf den Rahmen. Ein straffer Sitz des C-Clips zeigt an, dass der Vorgang wiederholt werden sollte, da der Riemen eingeklemmt ist.



## INTERNATIONALE GARANTIE – KOMMERZIELLE NUTZUNG

Dieses Produkt ist für den Einsatz in Fitnessstudios vorgesehen und konstruiert. FIRST DEGREE FITNESS Limited sichert zu, dass das bei einem autorisierten Vertreter gekaufte und in einer unbeschädigten Originalverpackung verpackte **E550 Rowing Erg (model E550)**, frei von Material- und Verarbeitungsfehlern ist. FIRST DEGREE FITNESS Limited oder sein Vertreter ersetzen oder reparieren Bauteile, die sich innerhalb der Garantiezeit als fehlerhaft erweisen, nach eigenem Ermessen, vorbehaltlich der folgenden in dieser Garantie enthaltenen und ausgeschlossenen Bauteile.

### **Metallrahmen – 10-jährige eingeschränkte Garantie**

First Degree Fitness repariert oder ersetzt den Metallrahmen des Rudergeräts, sollte er innerhalb von 10 Jahren ab dem ursprünglichen Kaufdatum Material- oder Ausführungsfehler aufweisen. Diese Garantie erstreckt sich nicht auf die Rahmenbeschichtung.

### **Polycarbonat-Tank und Dichtungen – 5-jährige eingeschränkte Garantie**

FIRST DEGREE FITNESS repariert oder ersetzt den Polycarbonat-Tank oder die Dichtungen, sollten sie innerhalb von 5 Jahren ab dem ursprünglichen Kaufdatum Material- oder Ausführungsfehler aufweisen.

### **Mechanische Bauteile (nicht abnutzbar) – 2-jährige eingeschränkte Garantie**

FIRST DEGREE FITNESS repariert oder ersetzt mechanische Bauteile, sollten sie innerhalb von 2 Jahren ab dem ursprünglichen Kaufdatum Material- oder Ausführungsfehler aufweisen.

### **Alle sonstigen Bauteile (abnutzbar) – 2-jährige eingeschränkte Garantie**

FIRST DEGREE FITNESS ersetzt oder repariert jegliche Bauteile, sollten sie innerhalb von 2 Jahren ab dem ursprünglichen Kaufdatum Material- oder Ausführungsfehler aufweisen.

### **Dies gilt auch für**

- Spanngurtrücklaufseil, Riemen und Scheibe
- Handgriffe und Fußschlaufen
- Ruderriemen aus Polyester
- Sitz
- Alle Scheiben, Rollen und Gleitlager
- Alle Bauteile aus Gummi
- Computer und Geschwindigkeitssensor (ausgenommen ersetzbare Batterien)
- Alle Antriebsriemen
- Sitzschienen aus Aluminium
- Gleitfußplatte

### **Allgemeine Ausnahmen**

- Beschädigte Beschichtung eines Geräteteils
- Beschädigungen aufgrund von Nachlässigkeit, Missbrauch, falscher Montage oder Verwendung des Geräts
- Versand- oder Verzollungskosten, die bei der Rücksendung oder Versendung von Bauteilen anfallen
- Beschädigung oder Verlust der Ware während des Transports
- Arbeitskosten, die bei Inanspruchnahme der Garantie anfallen

### **Allgemeine Bedingungen**

- Die Seriennummer des Geräts muss korrekt bei First Degree Fitness Limited oder einem seiner autorisierten Vertreter registriert sein.
- FIRST DEGREE FITNESS Limited behält sich das Recht vor, die Bauteile zu überprüfen, für die im Rahmen der Garantie Ersatz beansprucht wird.
- Die Garantiezeit gilt nur für den Originalkäufer ab dem Kaufdatum und ist nicht übertragbar.
- Das Produkt muss originalverpackt an die Verkaufsstelle zurückgesendet werden, wobei die Kosten für den Transport, die Versicherung und anderweitig anfallende Kosten von Ihnen übernommen werden und Sie auch das Verlust- oder Schadensrisiko tragen.
- FIRST DEGREE FITNESS gewährt keine weiteren Garantien, mit Ausnahme der hier aufgeführten Garantien, und schließt ausdrücklich alle Zusicherungen aus, die nicht in dieser Garantie aufgeführt werden. Weder FIRST DEGREE FITNESS noch seine Geschäftspartner tragen die Verantwortung für beiläufige oder Folgeschäden.
- Die Garantie des Herstellers beginnt für den Endnutzer automatisch ab dem Verkauf des Produkts oder nach Ablauf eines (1) Jahres ab dem Herstellungsmonat; dies ist davon abhängig, welches Datum was zuerst eintritt.







FIRST DEGREE FITNESS  
*Fluid* INNOVATION

*FITNESS PRODUCTS INSPIRED BY REAL LIFE*

[WWW.FIRSTDEGREEFITNESS.COM](http://WWW.FIRSTDEGREEFITNESS.COM)

FIRST DEGREE FITNESS Europe  
Hoge Maat 3  
3961 NC WIJK BIJ DUURSTEDEN  
The Netherlands  
Phone: [+31\(0\)307600670](tel:+31(0)307600670)  
Büro: [mail@fluidrower.eu](mailto:mail@fluidrower.eu)  
Service Unterstützung: [service@fluidrower.eu](mailto:service@fluidrower.eu)  
Web: [www.fluidrower.eu](http://www.fluidrower.eu)

