

# TUNTURI®

## PLATINUM CORE TREADMILL

<b>GB</b>	<b>User manual</b>	<b>27 - 40</b>
DE	Benutzerhandbuch	41 - 53
FR	Manuel de l'utilisateur	54 - 68
NL	Gebruikershandleiding	69 - 82
IT	Manuale d'uso	83 - 96
ES	Manual del usuario	97 - 110
SV	Bruksanvisning	111 - 123
SU	Käyttöohje	124 - 136



**Attention, Achtung, Attention, Attentie, Attenzione, Atención, Giv akt, Huomio**

- **Please read this user manual carefully prior to using this product.**
- Lesen Sie sich vor dem Gebrauch des Produkts diese Bedienungsanleitung sorgfältig durch.
- Veuillez lire attentivement le présent manuel de l'utilisateur avant d'utiliser ce produit.
- Lees deze gebruikershandleiding zorgvuldig voordat u dit product gaat gebruiken.
- Leggere attentamente questo manuale dell'utente prima di utilizzare il prodotto.
- Antes de utilizar este producto, lea atentamente este manual de usuario.
- Läs den här användarhandboken noggrant före användning av den här produkten.
- Lue tämä käyttöohje huolellisesti ennen tämän tuotteen käyttöä.



[www.tunturi.com](http://www.tunturi.com)

FEEL BETTER **EVERY DAY**



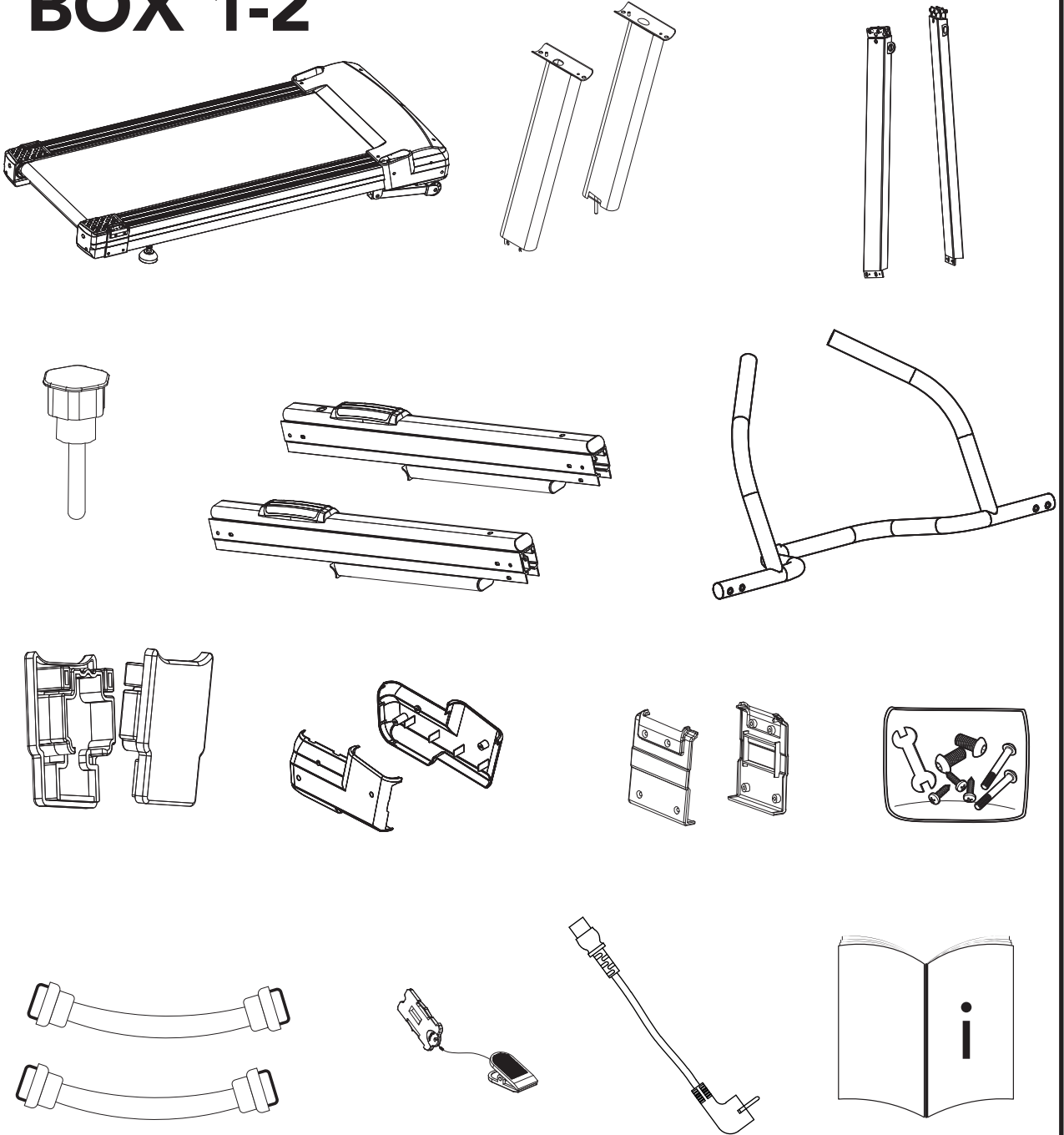
A



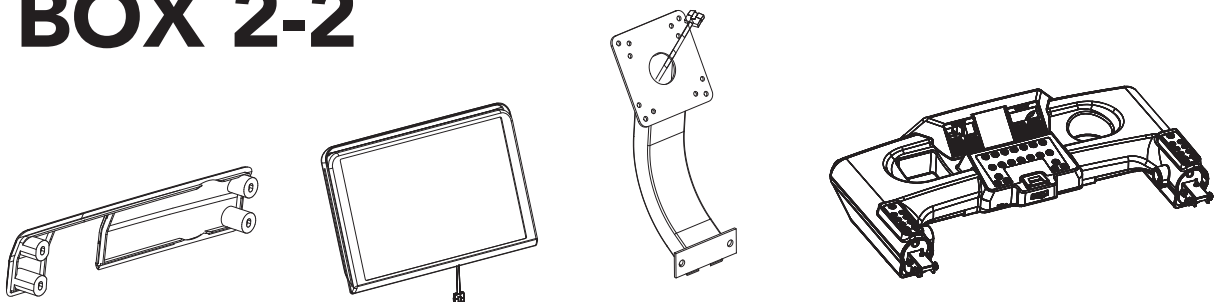


B

# BOX 1-2



# BOX 2-2

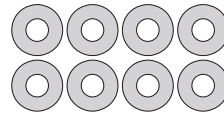




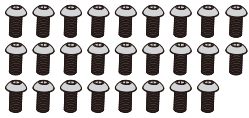
## C



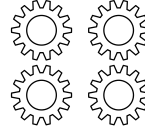
M4x15L - 10 pcs



Flat Washer  
M10x19x1.5t - 8 pcs



Button Head Cap Screw  
M8x16L - 26 pcs



External tooth lock washer  
M10 - 4 pcs



Button Head Cap Screw  
M10x20L - 8 pcs



Cross Truss Head Screw  
M5x12L - 4 pcs



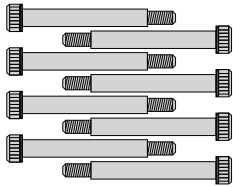
Spring Washer  
M8 - 2 pcs



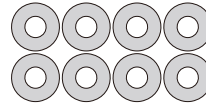
Button Head Cap Screw  
M8x50L - 4 pcs



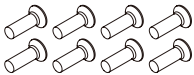
Spring Washer  
M5 - 4 pcs



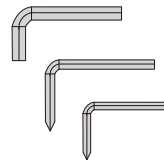
Socket Head Cap Screw  
M10x100L(1/2) - 8 pcs



Flat Washer  
M8x19x1.5t - 8 pcs



Flat Head Cross Screw  
M5x15L - 8 pcs

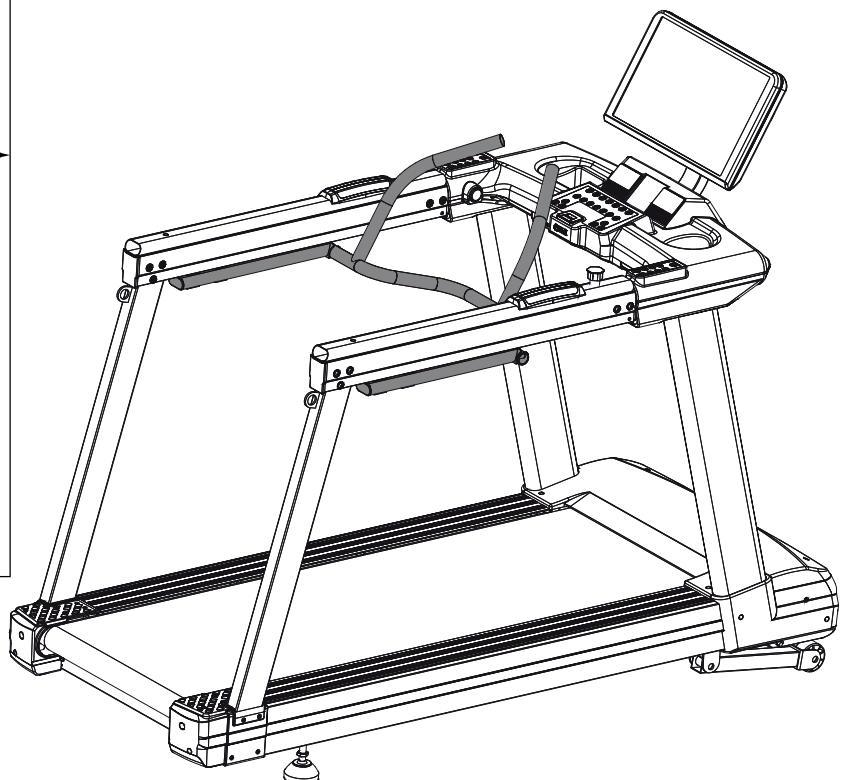
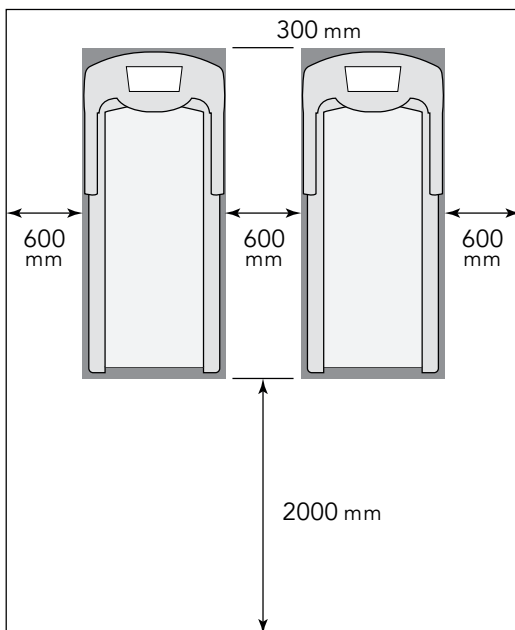


Allen Key M8 - 1 pc  
Allen Key M6 - 1 pc  
Allen Key M5 - 1 pc



Flat Wash  
M29x16x1.5t - 1 pcs

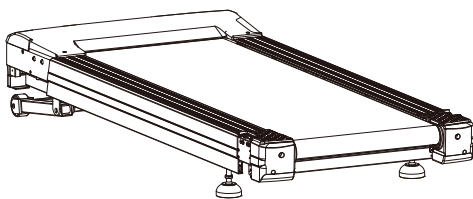
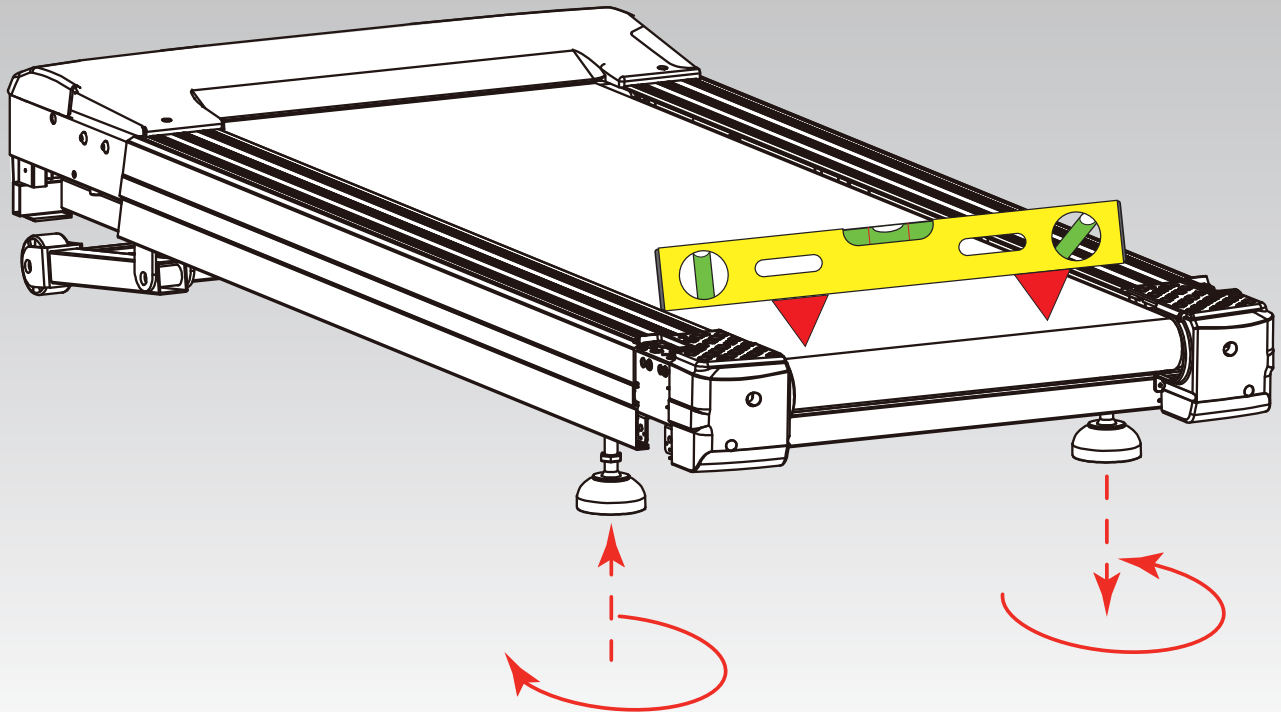
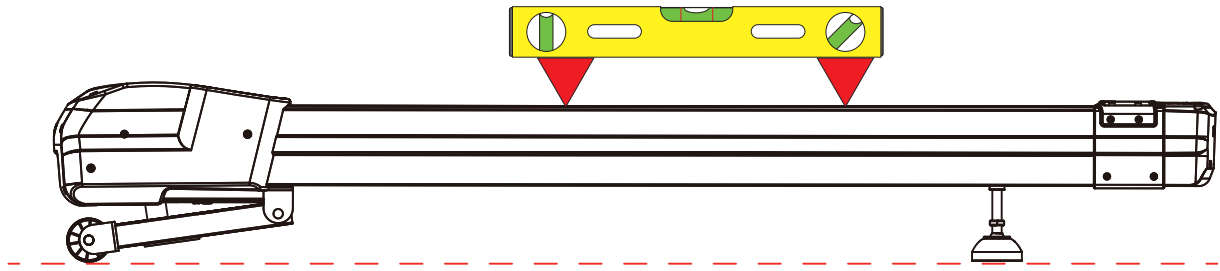
## D-00





# Platinum Core Treadmill

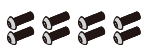
## D-01



M4x15L - 10 pcs



Button Head Cap Screw  
M8x16L - 26 pcs



Button Head Cap Screw  
M10x20L - 8 pcs



Cross Truss Head Screw  
M5x12L - 4 pcs



Button Head Cap Screw  
M8x50L - 4 pcs



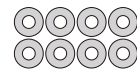
Socket Head Cap Screw  
M10x100L(1/2) - 8 pcs



Flat Head Cross Screw  
M5x15L - 8 pcs



Flat Wash  
M29x16x1.5t - 1 pcs



Flat Washer  
M10x19x1.5t - 8 pcs



External tooth lock washer  
M10 - 4 pcs



Spring Washer  
M8 - 2 pcs



Spring Washer  
M5 - 4 pcs



Flat Washer  
M8x19x1.5t - 8 pcs

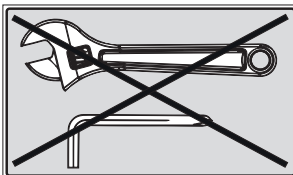
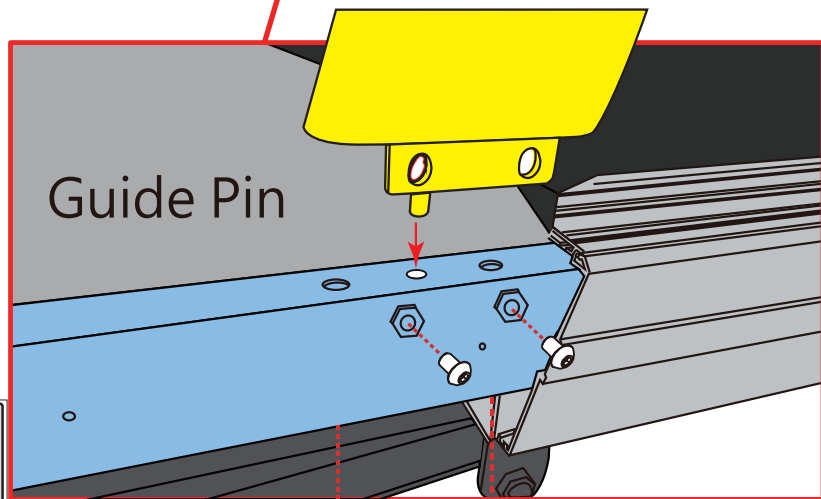
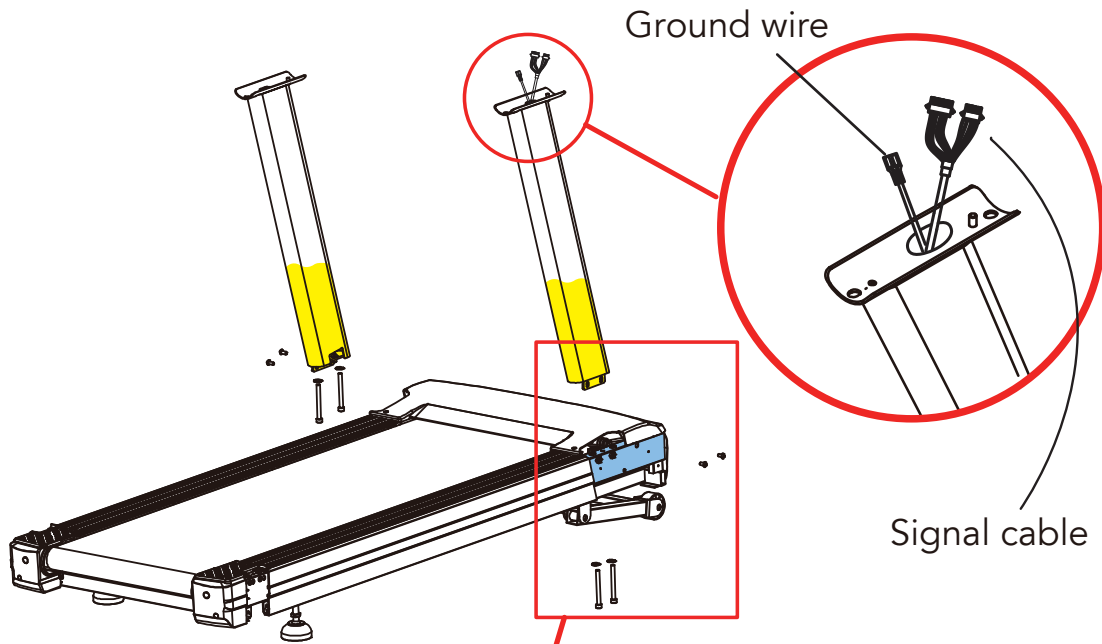


Allen Key M8 - 1 pc

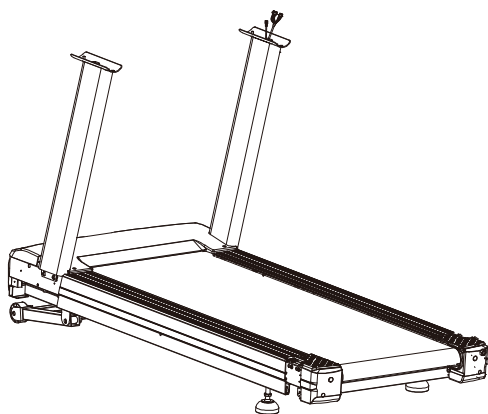
Allen Key M6 - 1 pc









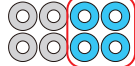
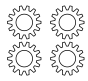


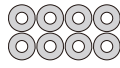



Allen Key M5 - 1 pc

D-02



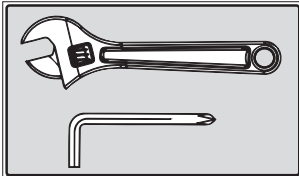
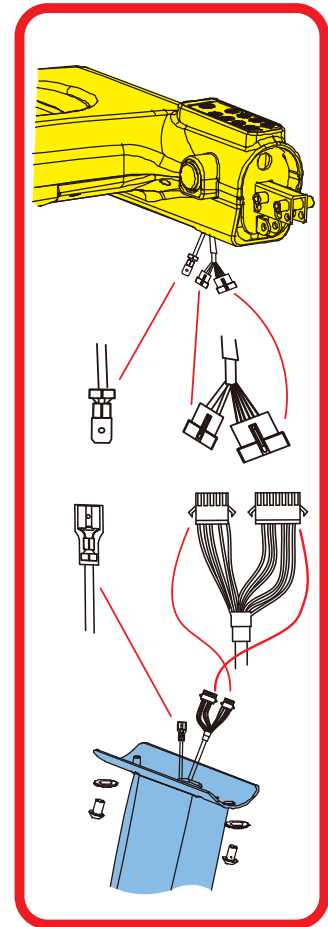
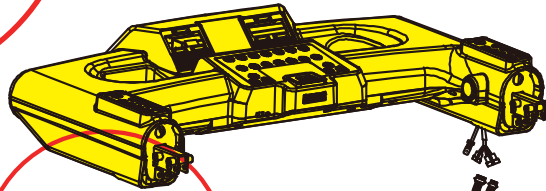
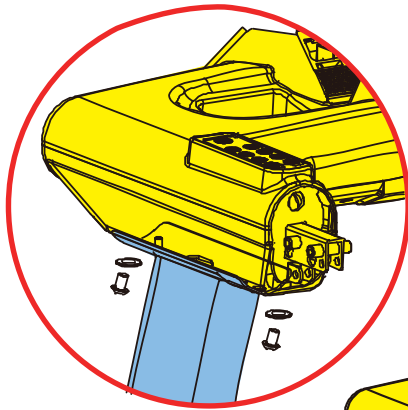
**DO NOT TIGHTEN BOLTS AND NUTS IN THIS STEP**



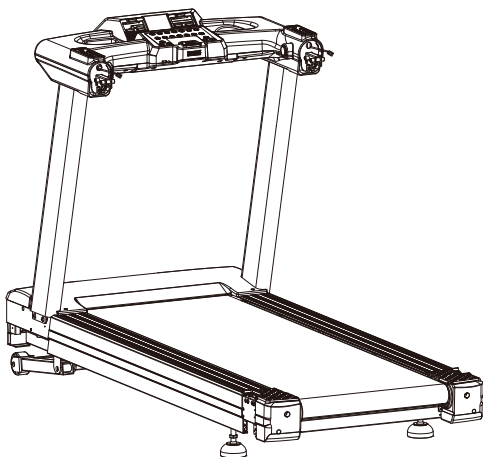
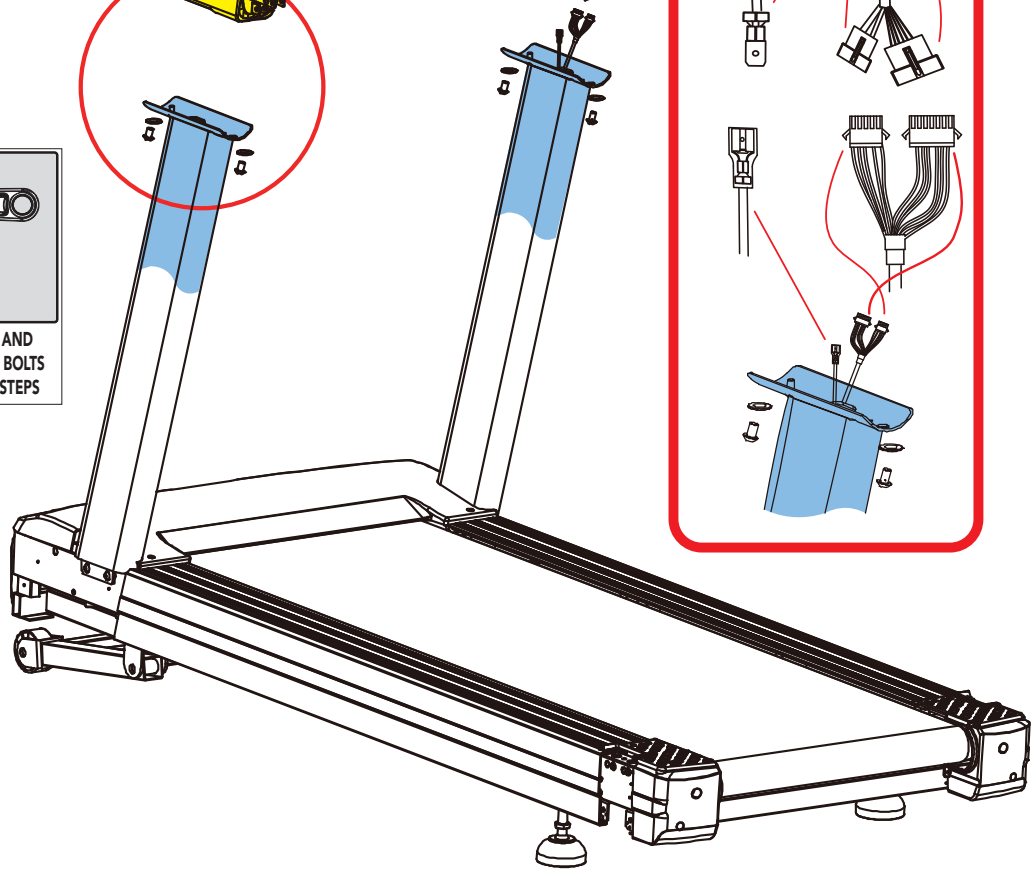
-  M4x15L - 10 pcs
-  Button Head Cap Screw M8x16L - 26 pcs
-  Button Head Cap Screw M10x20L - 8 pcs
-  Cross Truss Head Screw M5x12L - 4 pcs
-  Button Head Cap Screw M8x50L - 4 pcs
-  Socket Head Cap Screw M10x100L(1/2) - 8 pcs
-  Flat Head Cross Screw M5x15L - 8 pcs
-  Flat Wash M29x16x1.5t - 1 pcs
-  Flat Washer M10x19x1.5t - 8 pcs
-  External tooth lock washer M10 - 4 pcs
-  Spring Washer M8 - 2 pcs
-  Spring Washer M5 - 4 pcs
-  Flat Washer M8x19x1.5t - 8 pcs
-  Allen Key M8 - 1 pc
-  Allen Key M6 - 1 pc
-  Allen Key M5 - 1 pc



## D-03



**DO TIGHTEN ALL BOLTS AND NUTS IN THIS STEP AND BOLTS AND NUTS OF FORMER STEPS**



M4x15L - 10 pcs



Button Head Cap Screw M8x16L - 26 pcs



Button Head Cap Screw M10x20L - 8 pcs



Cross Truss Head Screw M5x12L - 4 pcs



Button Head Cap Screw M8x50L - 4 pcs



Socket Head Cap Screw M10x100L(1/2) - 8 pcs



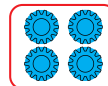
Flat Head Cross Screw M5x15L - 8 pcs



Flat Wash M29x16x1.5t - 1 pcs



Flat Washer M10x19x1.5t - 8 pcs



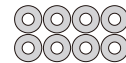
External tooth lock washer M10 - 4 pcs



Spring Washer M8 - 2 pcs



Spring Washer M5 - 4 pcs



Flat Washer M8x19x1.5t - 8 pcs



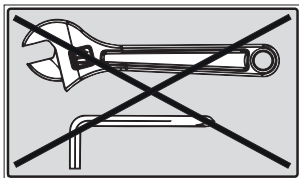
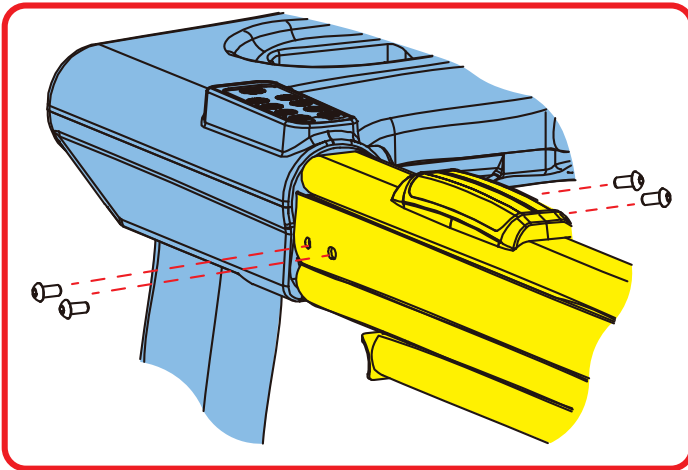
Allen Key M8 - 1 pc

Allen Key M6 - 1 pc

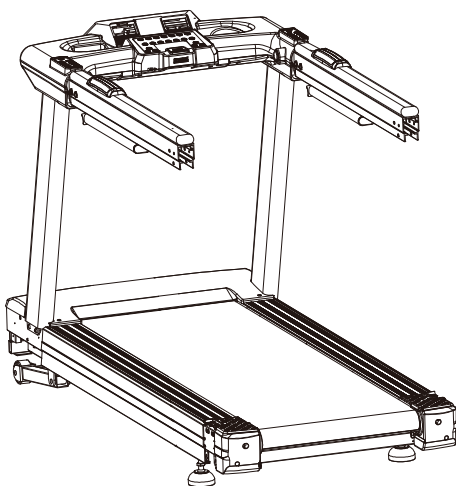
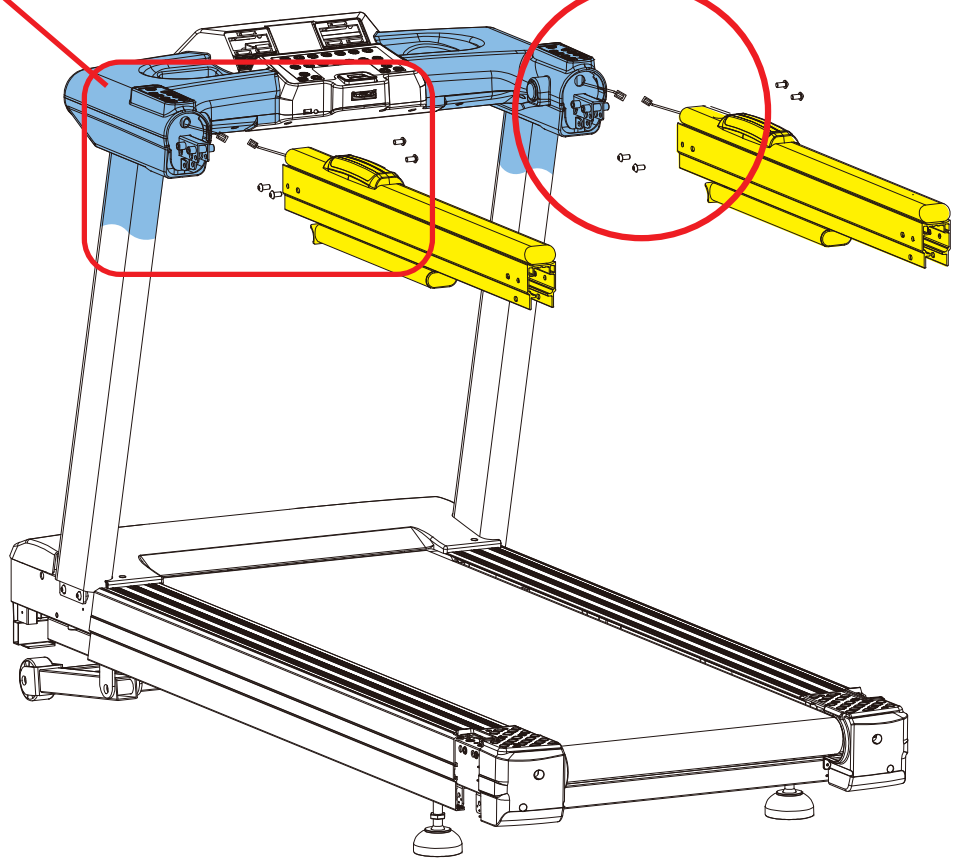
Allen Key M5 - 1 pc



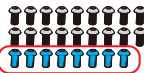
D-04



**DO NOT TIGHTEN BOLTS AND NUTS IN THIS STEP**



M4x15L - 10 pcs



Button Head Cap Screw  
M8x16L - 26 pcs



Button Head Cap Screw  
M10x20L - 8 pcs



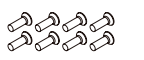
Cross Truss Head Screw  
M5x12L - 4 pcs



Button Head Cap Screw  
M8x50L - 4 pcs



Socket Head Cap Screw  
M10x100L(1/2) - 8 pcs



Flat Head Cross Screw  
M5x15L - 8 pcs



Flat Wash  
M29x16x1.5t - 1 pcs



Flat Washer  
M10x19x1.5t - 8 pcs



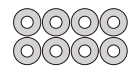
External tooth lock washer  
M10 - 4 pcs



Spring Washer  
M8 - 2 pcs



Spring Washer  
M5 - 4 pcs



Flat Washer  
M8x19x1.5t - 8 pcs

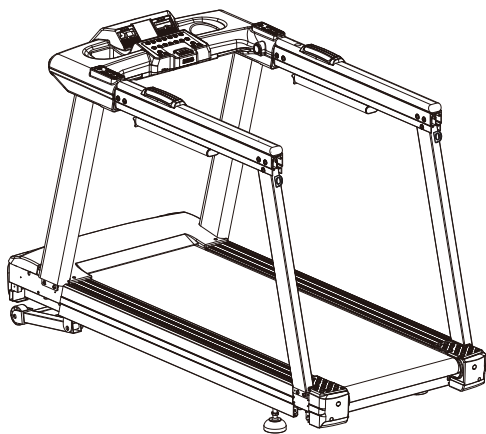
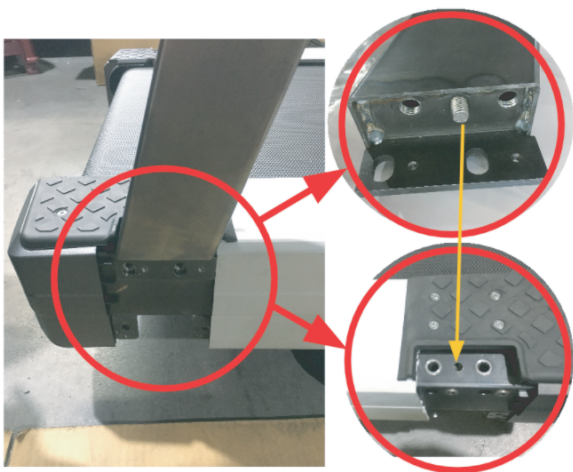
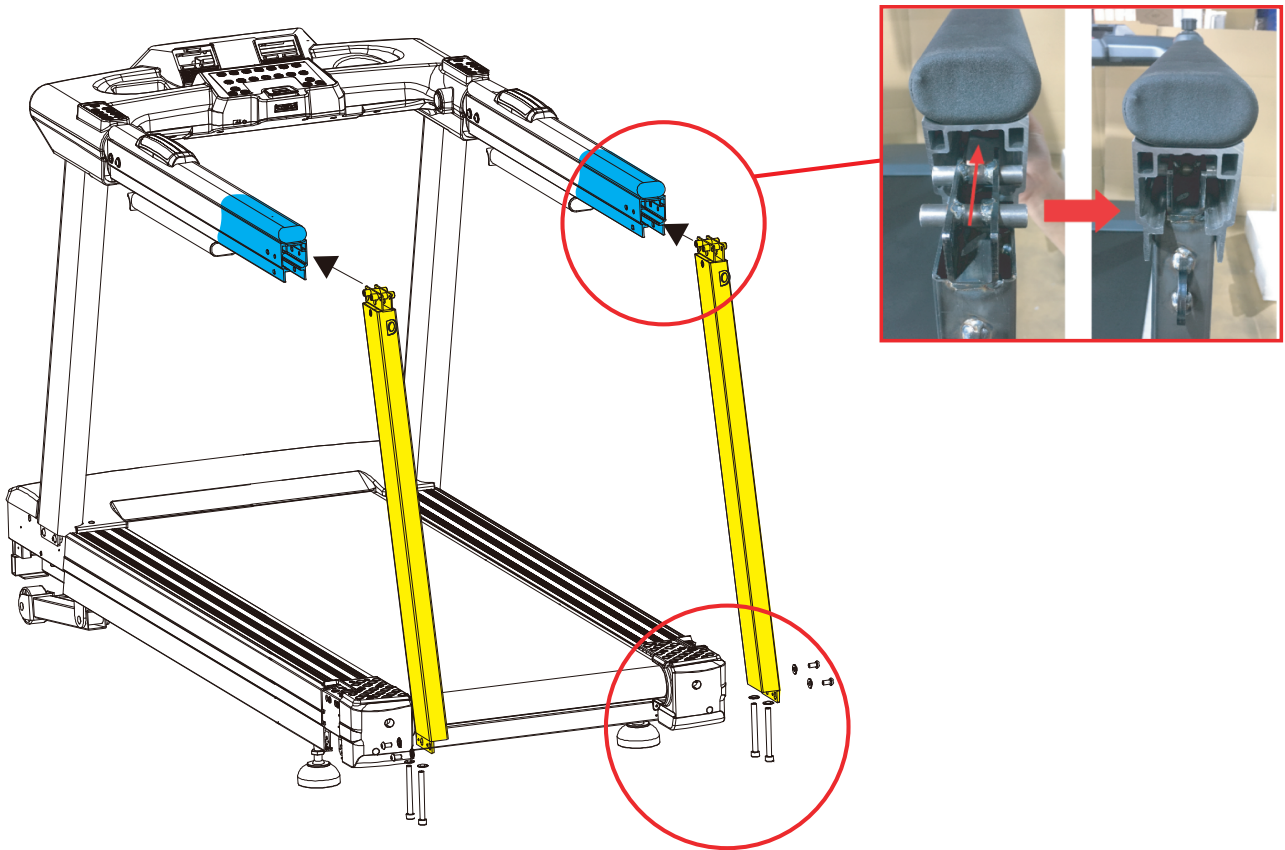


Allen Key M8 - 1 pc  
Allen Key M6 - 1 pc  
Allen Key M5 - 1 pc



# Platinum Core Treadmill

## D-05



M4x15L - 10 pcs



Button Head Cap Screw  
M8x16L - 26 pcs

Button Head Cap Screw  
M10x20L - 8 pcs



Cross Truss Head Screw  
M5x12L - 4 pcs



Button Head Cap Screw  
M8x50L - 4 pcs



Socket Head Cap Screw  
M10x100L(1/2) - 8 pcs



Flat Head Cross Screw  
M5x15L - 8 pcs



Flat Wash  
M29x16x1.5t - 1 pcs



Flat Washer  
M10x19x1.5t - 8 pcs

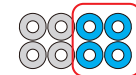
External tooth lock washer  
M10 - 4 pcs



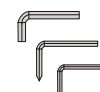
Spring Washer  
M8 - 2 pcs



Spring Washer  
M5 - 4 pcs



Flat Washer  
M8x19x1.5t - 8 pcs



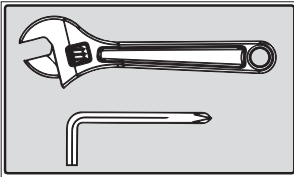
Allen Key M8 - 1 pc

Allen Key M6 - 1 pc

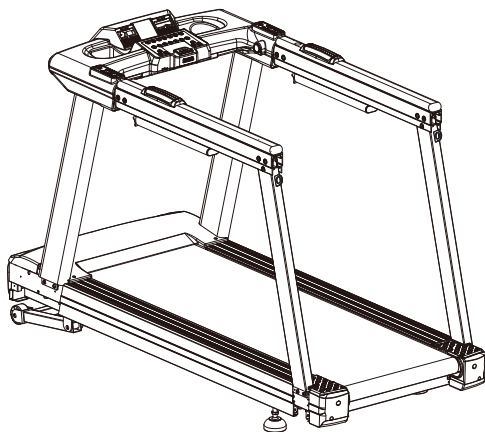
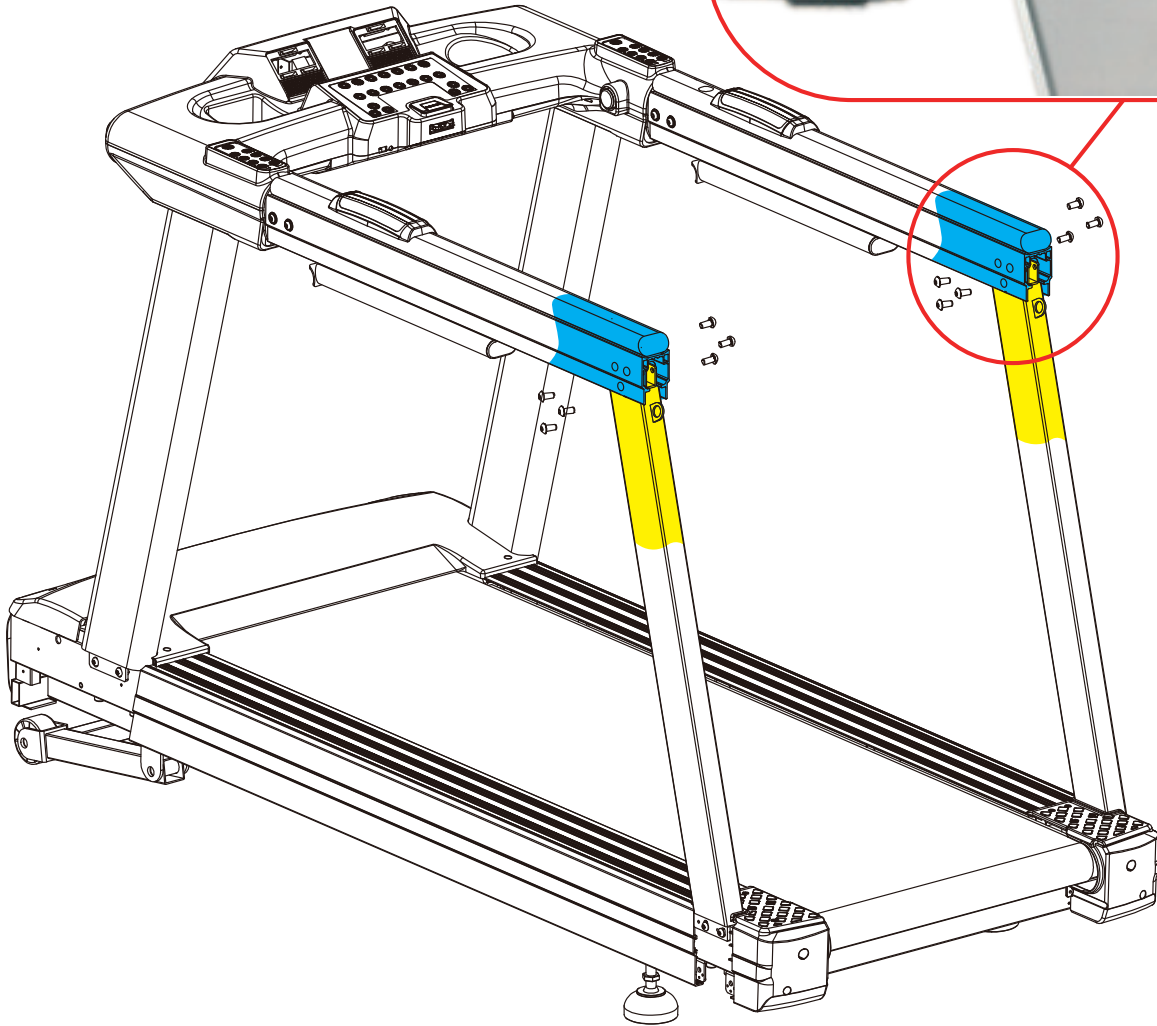
Allen Key M5 - 1 pc



## D-06

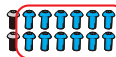


**DO TIGHTEN ALL BOLTS AND NUTS IN THIS STEP AND BOLTS AND NUTS OF FORMER STEPS**



M4x15L - 10 pcs

Flat Washer  
M10x19x1.5t - 8 pcs



Button Head Cap Screw  
M8x16L - 26 pcs

External tooth lock washer  
M10 - 4 pcs



Button Head Cap Screw  
M10x20L - 8 pcs

Spring Washer  
M8 - 2 pcs



Cross Truss Head Screw  
M5x12L - 4 pcs



Button Head Cap Screw  
M8x50L - 4 pcs



Spring Washer  
M5 - 4 pcs



Socket Head Cap Screw  
M10x100L(1/2) - 8 pcs



Flat Washer  
M8x19x1.5t - 8 pcs



Flat Head Cross Screw  
M5x15L - 8 pcs



Allen Key M8 - 1 pc



Flat Wash  
M29x16x1.5t - 1 pcs



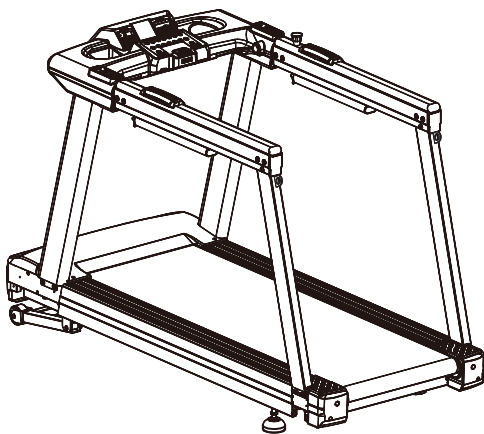
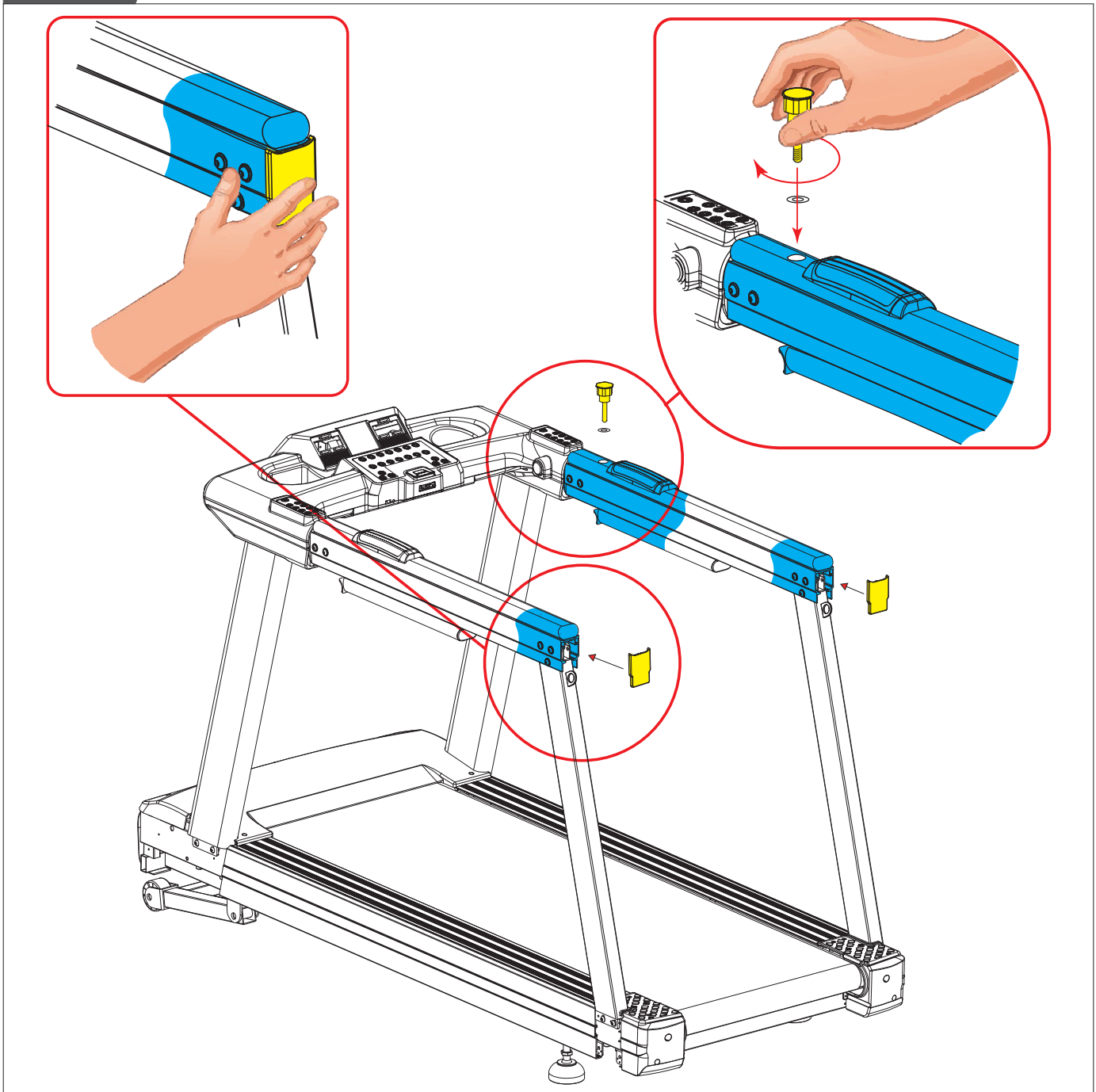
Allen Key M6 - 1 pc



Allen Key M5 - 1 pc



## D-07



M4x15L - 10 pcs

Flat Washer  
M10x19x1.5t - 8 pcs



Button Head Cap Screw  
M8x16L - 26 pcs

External tooth lock washer  
M10 - 4 pcs

Button Head Cap Screw  
M10x20L - 8 pcs



Cross Truss Head Screw  
M5x12L - 4 pcs



Spring Washer  
M8 - 2 pcs



Button Head Cap Screw  
M8x50L - 4 pcs



Spring Washer  
M5 - 4 pcs

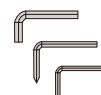
Socket Head Cap Screw  
M10x100L(1/2) - 8 pcs



Flat Washer  
M8x19x1.5t - 8 pcs



Flat Head Cross Screw  
M5x15L - 8 pcs

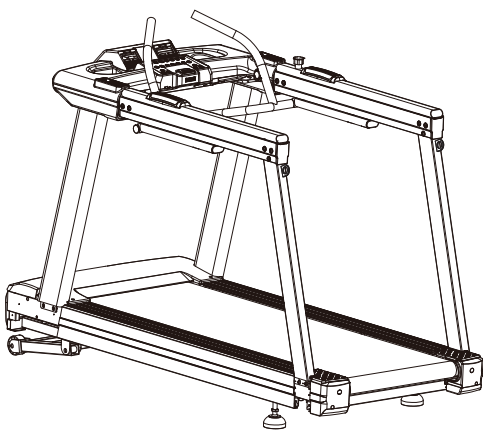
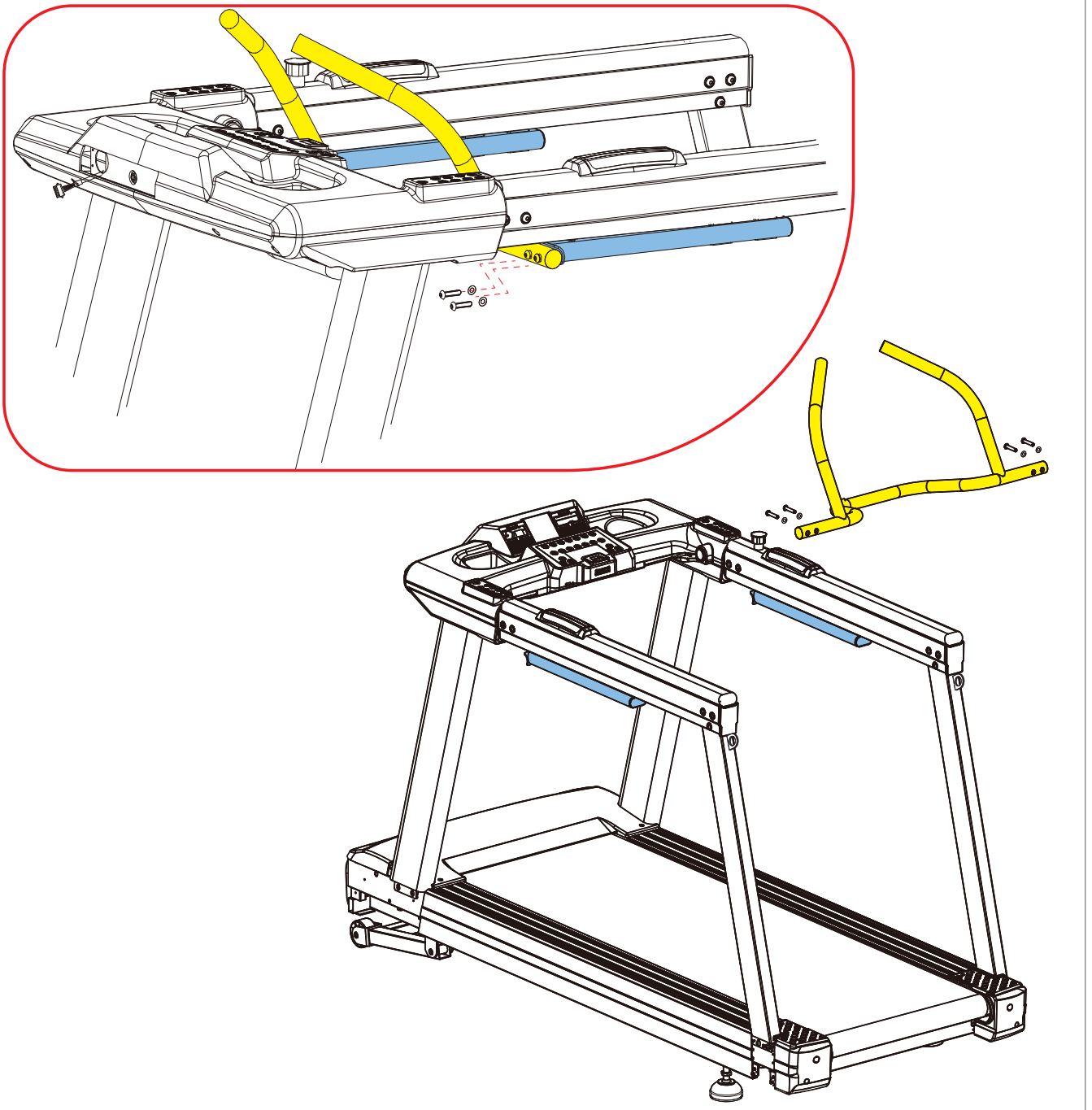


Allen Key M8 - 1 pc  
Allen Key M6 - 1 pc  
Allen Key M5 - 1 pc



Flat Wash  
M29x16x1.5t - 1 pcs

D-08



M4x15L - 10 pcs



Button Head Cap Screw  
M8x16L - 26 pcs



Button Head Cap Screw  
M10x20L - 8 pcs



Cross Truss Head Screw  
M5x12L - 4 pcs



Button Head Cap Screw  
M8x50L - 4 pcs



Socket Head Cap Screw  
M10x100L(1/2) - 8 pcs



Flat Head Cross Screw  
M5x15L - 8 pcs



Flat Wash  
M29x16x1.5t - 1 pcs

Flat Washer  
M10x19x1.5t - 8 pcs

External tooth lock washer  
M10 - 4 pcs

Spring Washer  
M8 - 2 pcs

Spring Washer  
M5 - 4 pcs

Flat Washer  
M8x19x1.5t - 8 pcs

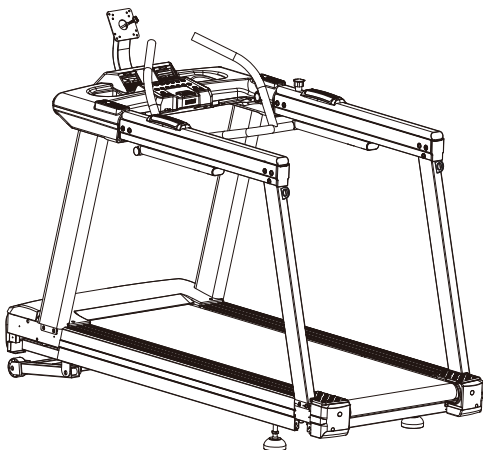
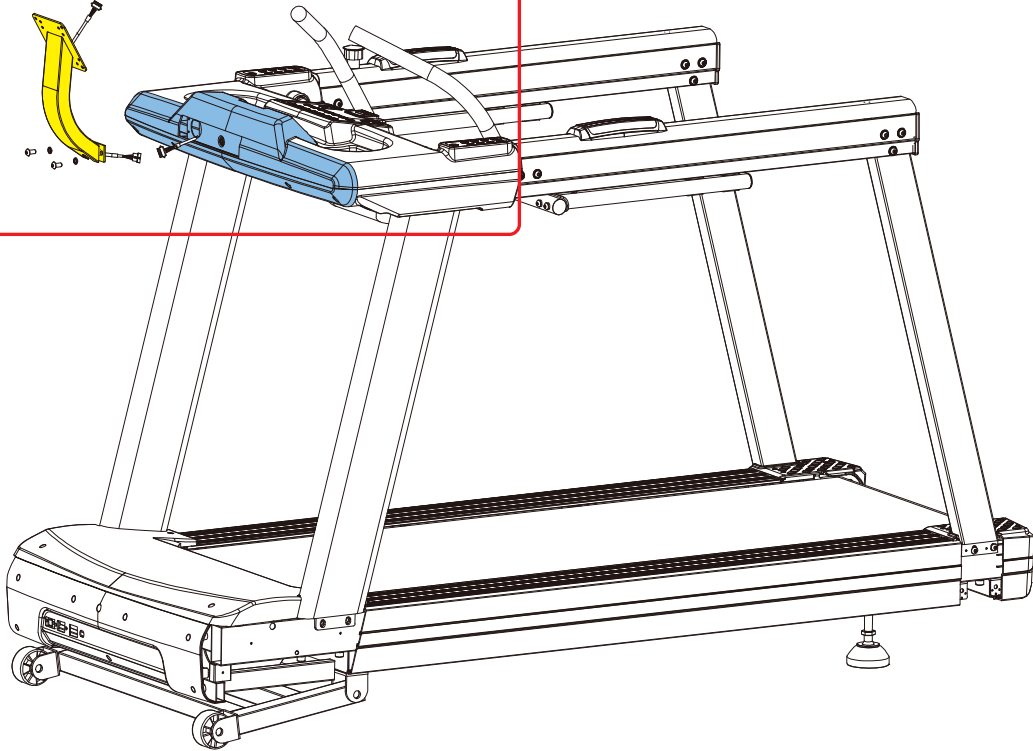
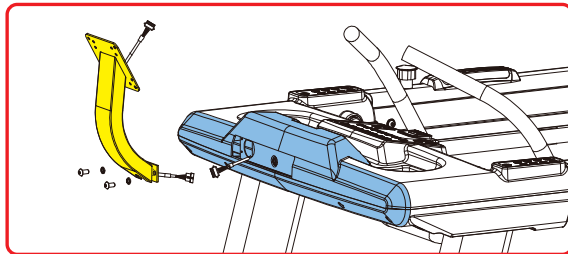
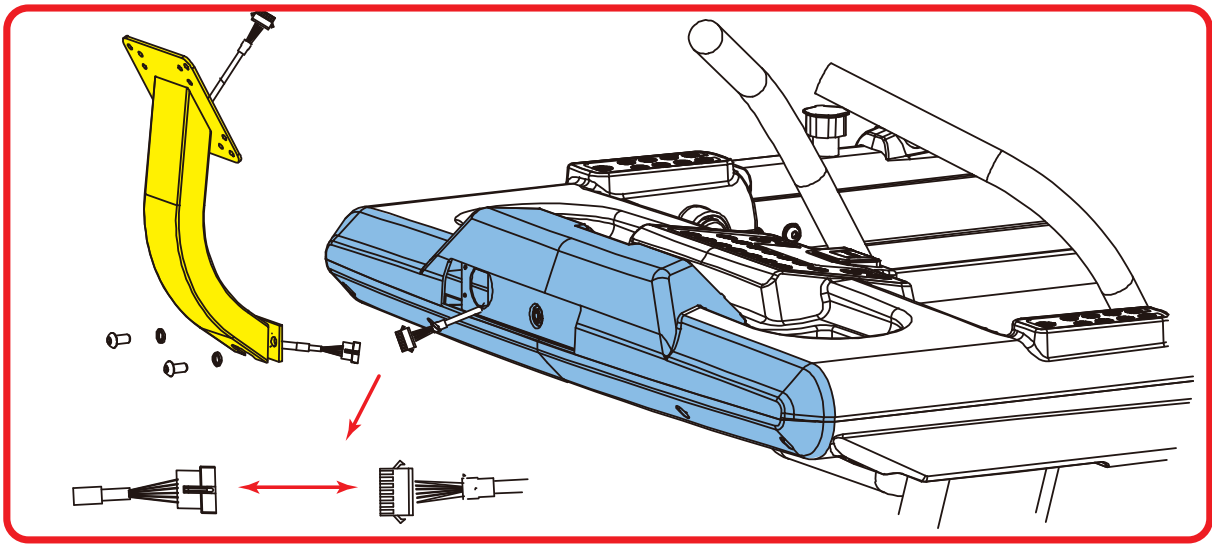
Allen Key M8 - 1 pc

Allen Key M6 - 1 pc

Allen Key M5 - 1 pc



## D-09



M4x15L - 10 pcs

Flat Washer  
M10x19x1.5t - 8 pcs



Button Head Cap Screw  
M8x16L - 26 pcs

External tooth lock washer  
M10 - 4 pcs

Button Head Cap Screw  
M10x20L - 8 pcs

Spring Washer  
M8 - 2 pcs



Cross Truss Head Screw  
M5x12L - 4 pcs

Button Head Cap Screw  
M8x50L - 4 pcs



Spring Washer  
M5 - 4 pcs

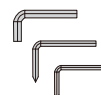
Socket Head Cap Screw  
M10x100L(1/2) - 8 pcs

Flat Washer  
M8x19x1.5t - 8 pcs



Flat Head Cross Screw  
M5x15L - 8 pcs

Flat Wash  
M29x16x1.5t - 1 pcs



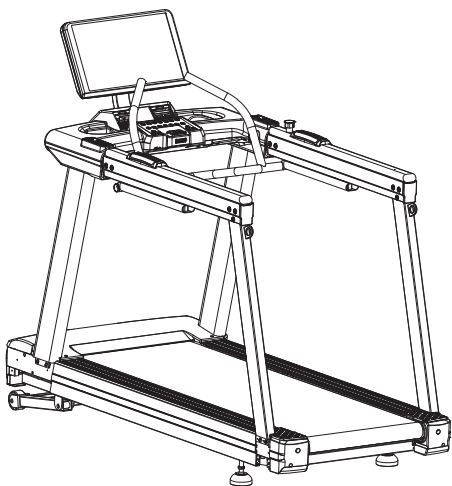
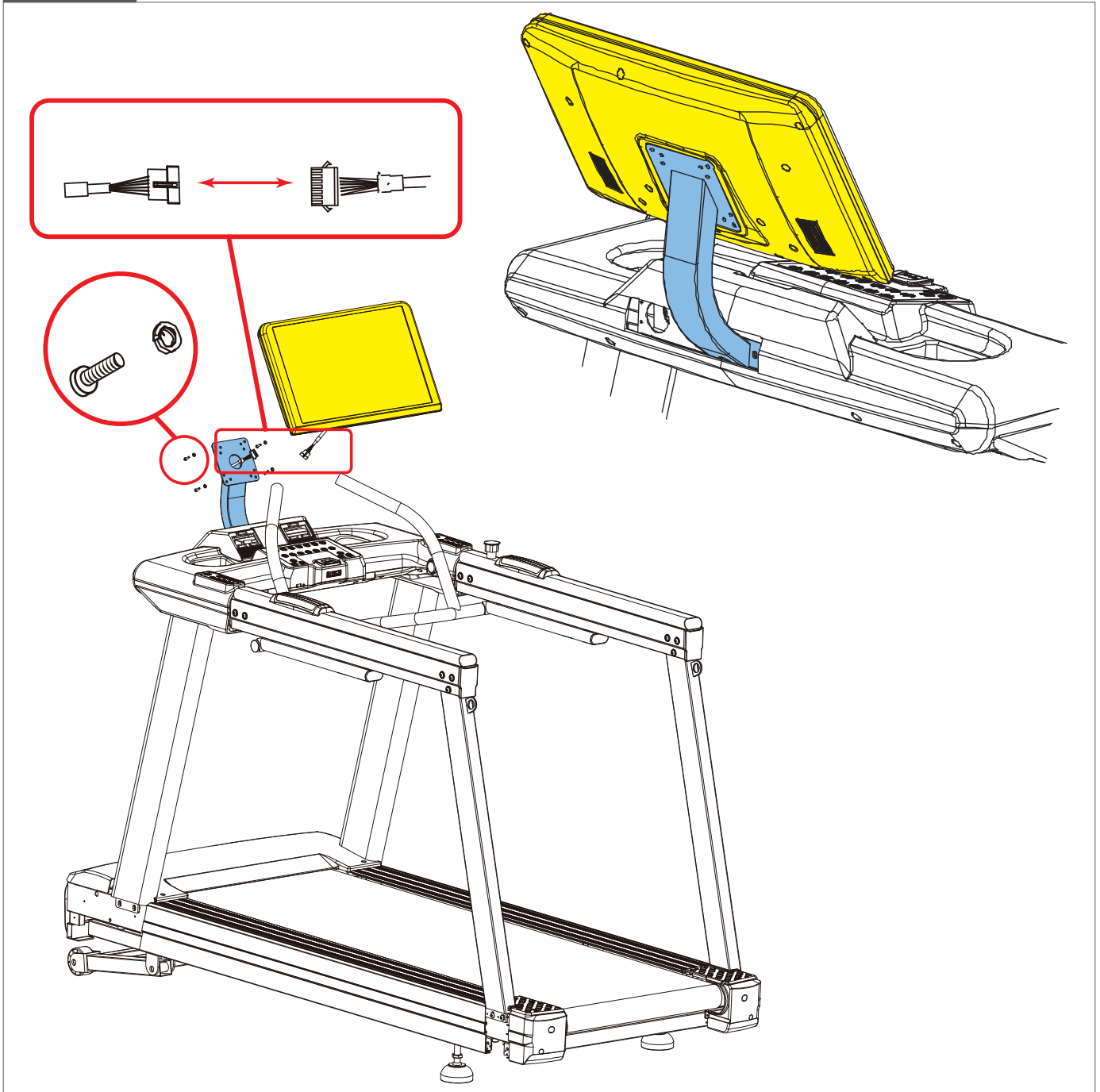
Allen Key M8 - 1 pc

Allen Key M6 - 1 pc

Allen Key M5 - 1 pc



## D-10



M4x15L - 10 pcs

Flat Washer  
M10x19x1.5t - 8 pcs

Button Head Cap Screw  
M8x16L - 26 pcs

External tooth lock washer  
M10 - 4 pcs

Button Head Cap Screw  
M10x20L - 8 pcs

Spring Washer  
M8 - 2 pcs



Cross Truss Head Screw  
M5x12L - 4 pcs

Spring Washer  
M5 - 4 pcs

Button Head Cap Screw  
M8x50L - 4 pcs



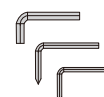
Flat Washer  
M8x19x1.5t - 8 pcs

Socket Head Cap Screw  
M10x100L(1/2) - 8 pcs



Flat Head Cross Screw  
M5x15L - 8 pcs

Flat Wash  
M29x16x1.5t - 1 pcs



Allen Key M8 - 1 pc

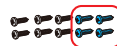
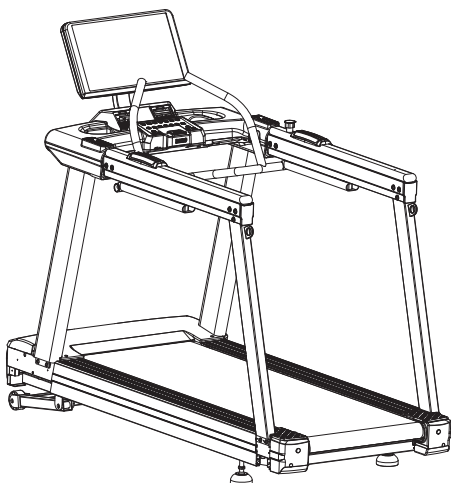
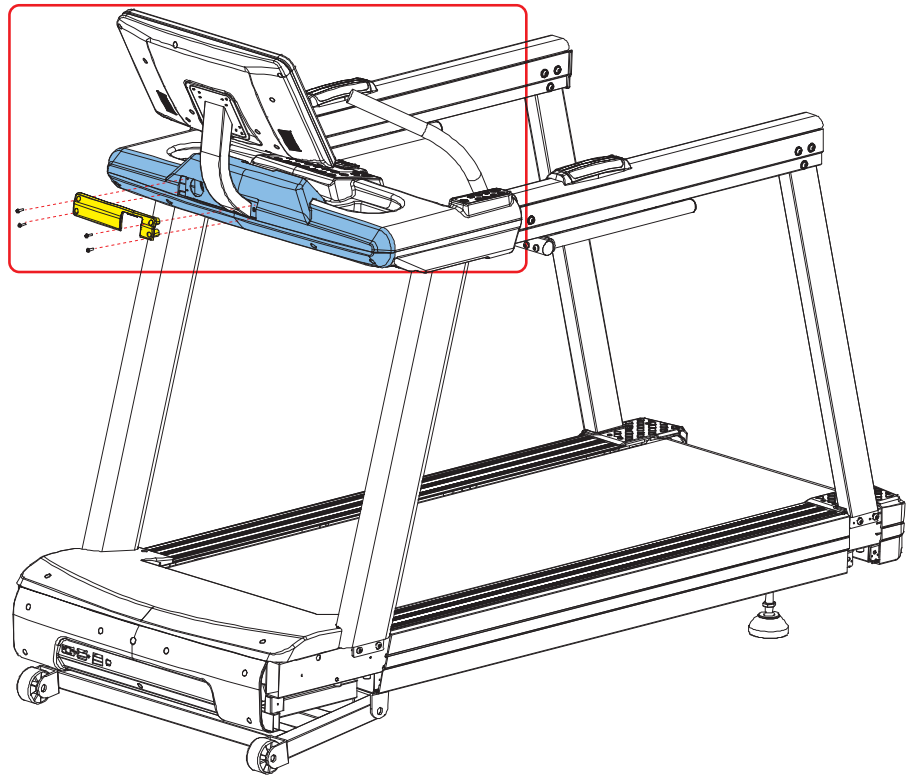
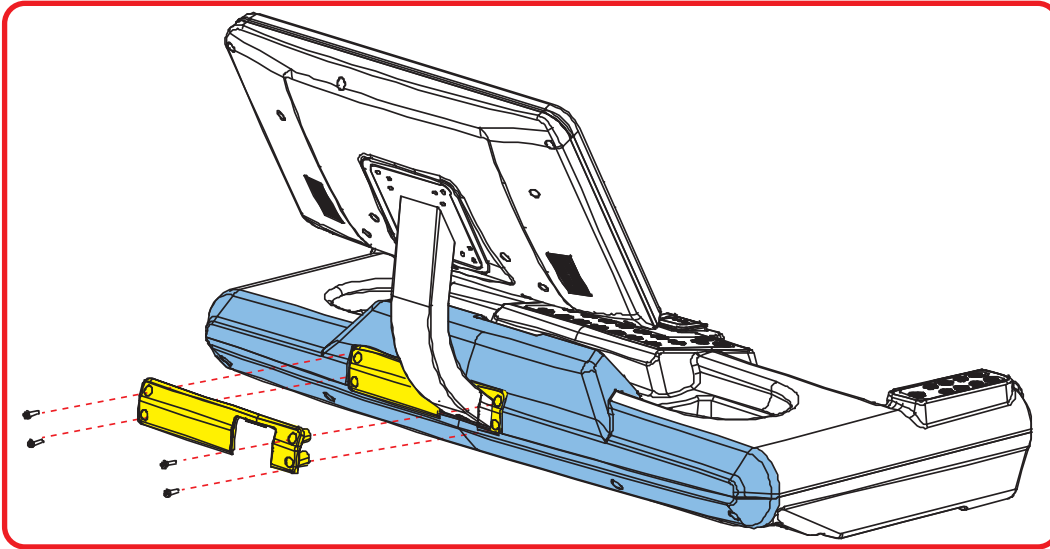
Allen Key M6 - 1 pc

Allen Key M5 - 1 pc



# Platinum Core Treadmill

## D-11



M4x15L - 10 pcs

Button Head Cap Screw  
M8x16L - 26 pcs

Button Head Cap Screw  
M10x20L - 8 pcs

Cross Truss Head Screw  
M5x12L - 4 pcs

Button Head Cap Screw  
M8x50L - 4 pcs

Socket Head Cap Screw  
M10x100L(1/2) - 8 pcs



Flat Head Cross Screw  
M5x15L - 8 pcs

Flat Wash  
M29x16x1.5t - 1 pcs

Flat Washer  
M10x19x1.5t - 8 pcs

External tooth lock washer  
M10 - 4 pcs

Spring Washer  
M8 - 2 pcs

Spring Washer  
M5 - 4 pcs

Flat Washer  
M8x19x1.5t - 8 pcs



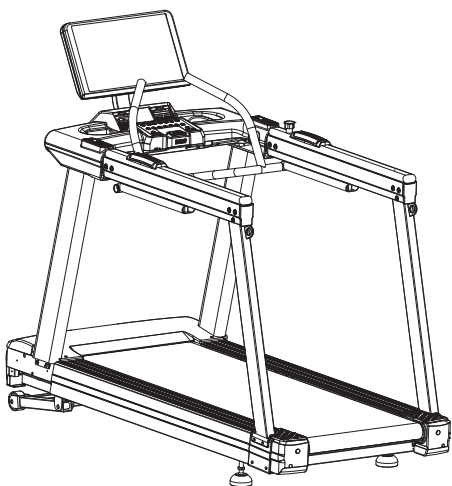
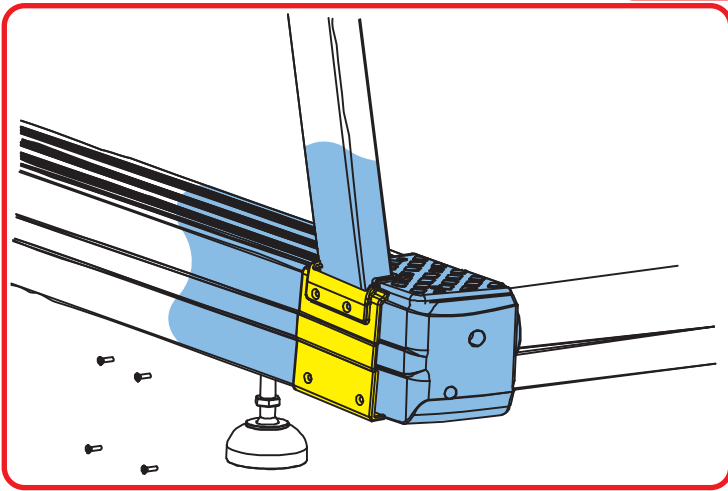
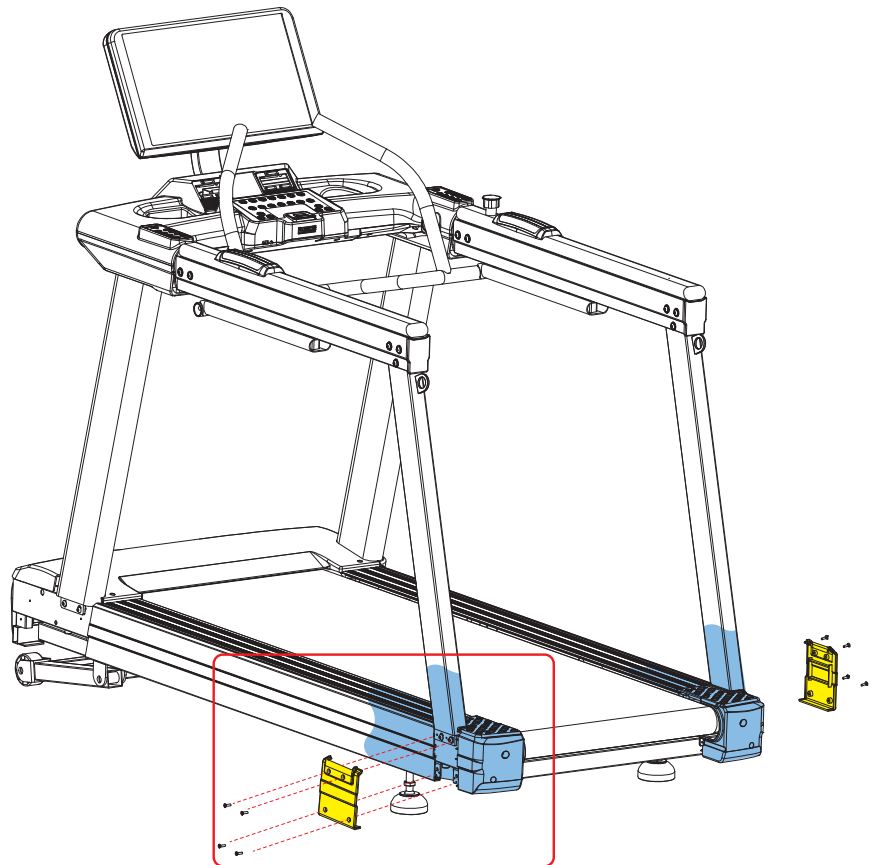
Allen Key M8 - 1 pc

Allen Key M6 - 1 pc

Allen Key M5 - 1 pc



D-12



M4x15L - 10 pcs

Button Head Cap Screw  
M8x16L - 26 pcs

Button Head Cap Screw  
M10x20L - 8 pcs

Cross Truss Head Screw  
M5x12L - 4 pcs

Button Head Cap Screw  
M8x50L - 4 pcs

Socket Head Cap Screw  
M10x100L(1/2) - 8 pcs

Flat Head Cross Screw  
M5x15L - 8 pcs

Flat Wash  
M29x16x1.5t - 1 pcs

Flat Washer  
M10x19x1.5t - 8 pcs

External tooth lock washer  
M10 - 4 pcs

Spring Washer  
M8 - 2 pcs

Spring Washer  
M5 - 4 pcs

Flat Washer  
M8x19x1.5t - 8 pcs

Allen Key M8 - 1 pc

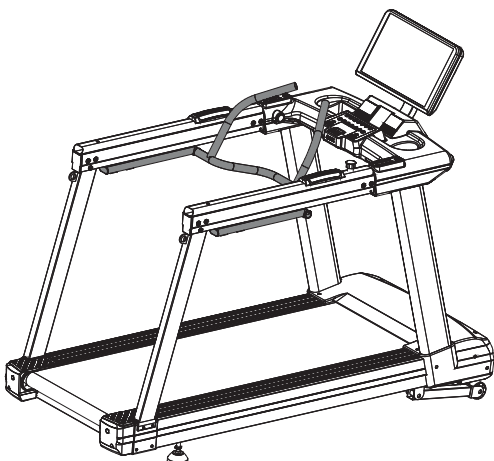
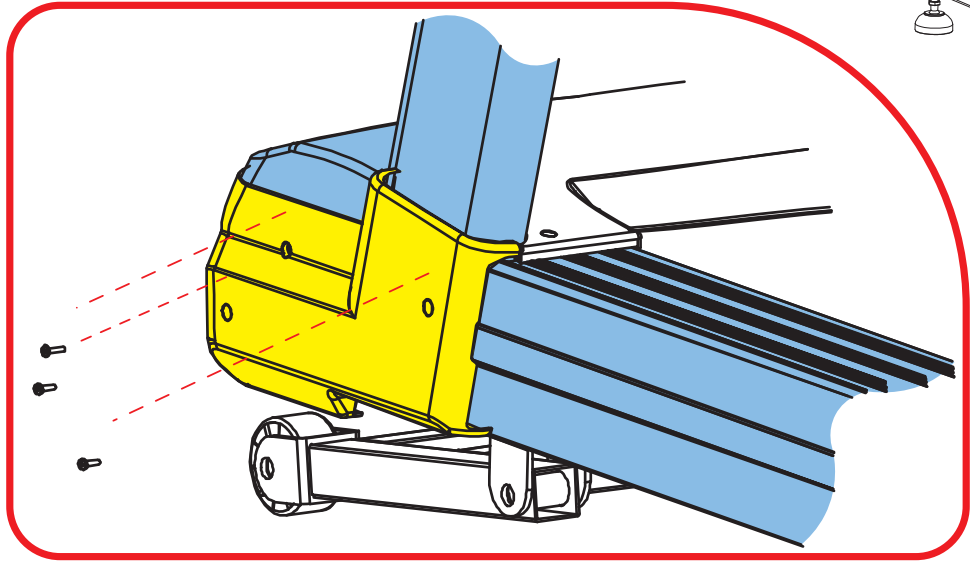
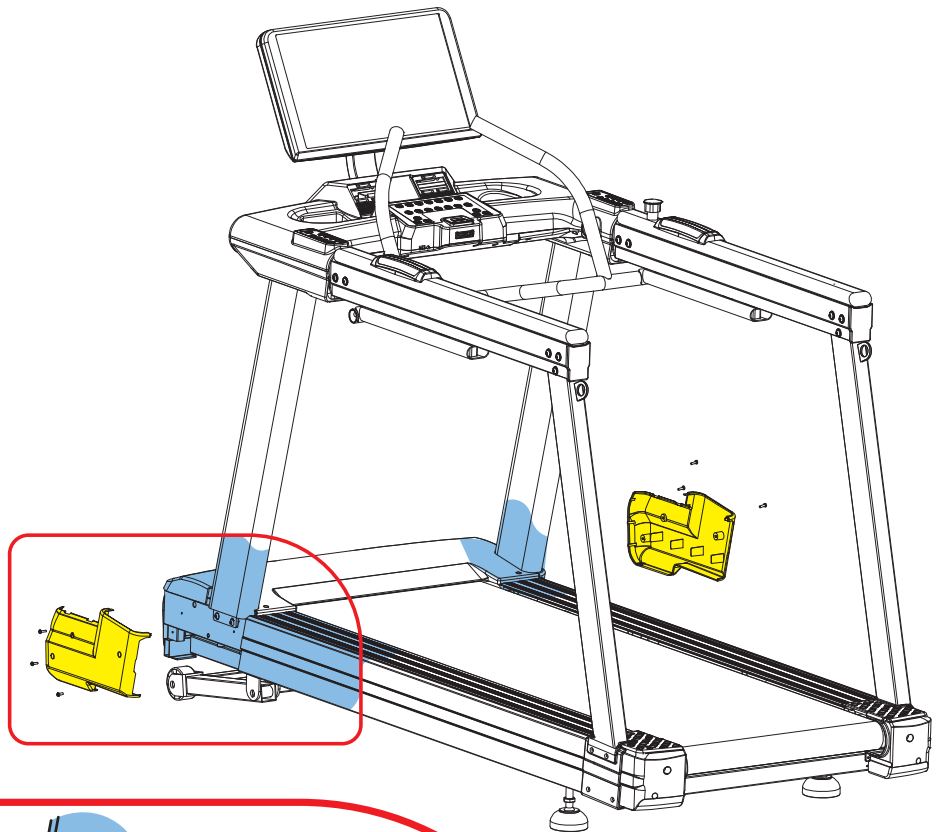
Allen Key M6 - 1 pc

Allen Key M5 - 1 pc





## D-13



M4x15L - 10 pcs

Button Head Cap Screw  
M8x16L - 26 pcs

Button Head Cap Screw  
M10x20L - 8 pcs

Cross Truss Head Screw  
M5x12L - 4 pcs

Button Head Cap Screw  
M8x50L - 4 pcs

Socket Head Cap Screw  
M10x100L(1/2) - 8 pcs

Flat Head Cross Screw  
M5x15L - 8 pcs

Flat Wash  
M29x16x1.5t - 1 pcs

Flat Washer  
M10x19x1.5t - 8 pcs

External tooth lock washer  
M10 - 4 pcs

Spring Washer  
M8 - 2 pcs

Spring Washer  
M5 - 4 pcs

Flat Washer  
M8x19x1.5t - 8 pcs

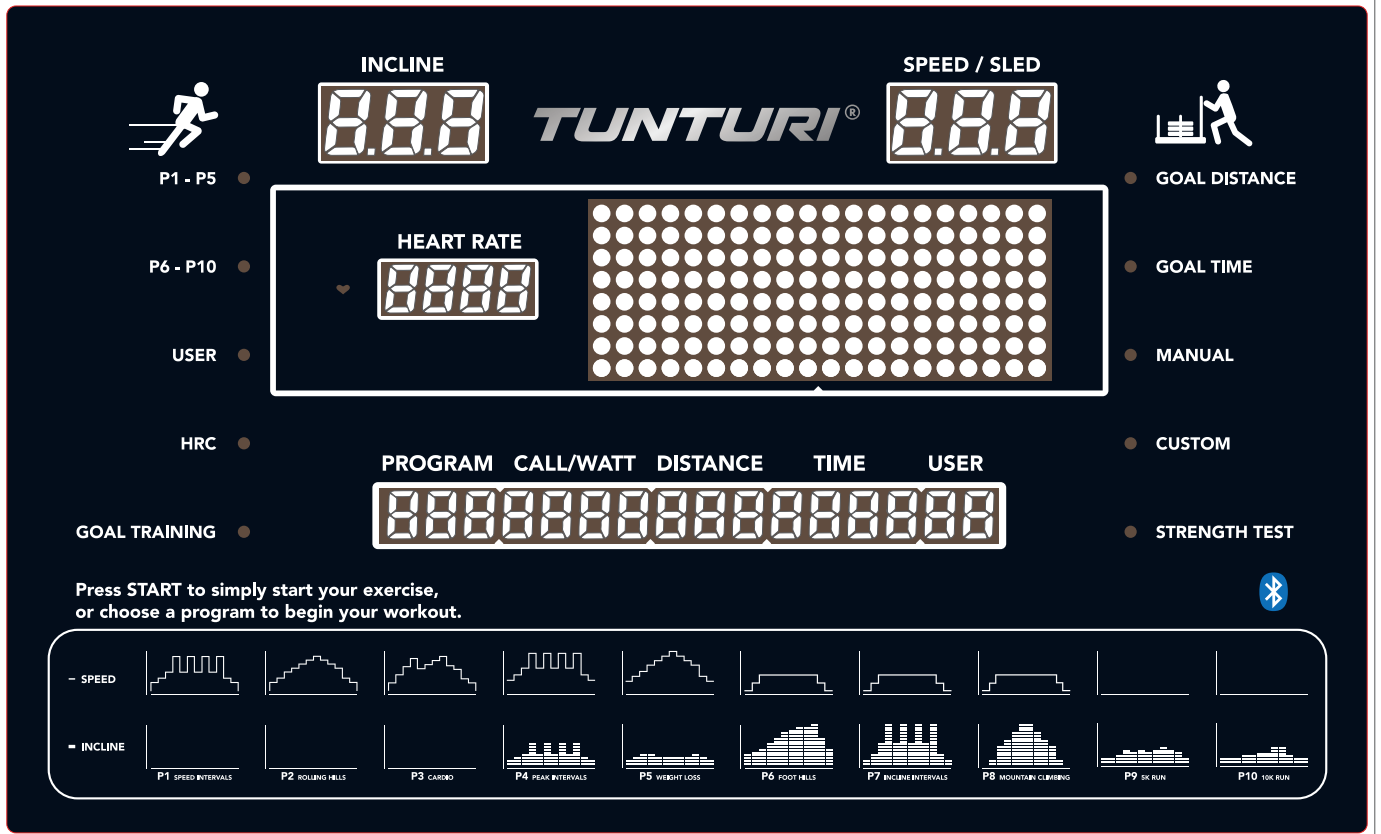
Allen Key M8 - 1 pc

Allen Key M6 - 1 pc

Allen Key M5 - 1 pc



E-1



The main console display features several sections:

- Top Left:** Running icon, P1 - P5, P6 - P10, USER, HRC, and GOAL TRAINING indicators.
- Top Center:** INCLINE and SPEED / SLED digital displays, and the TUNTURI logo.
- Top Right:** Sled icon, GOAL DISTANCE, GOAL TIME, MANUAL, CUSTOM, and STRENGTH TEST indicators.
- Middle:** HEART RATE digital display and a large dot matrix display.
- Bottom Center:** PROGRAM CALL/WATT DISTANCE TIME USER digital display.
- Bottom Left:** Instruction: "Press START to simply start your exercise, or choose a program to begin your workout." and a Bluetooth icon.
- Bottom:** A row of 10 program icons: P1 SPEED INTERVALS, P2 ROLLING HILLS, P3 CARDIO, P4 PEAK INTERVALS, P5 WEIGHT LOSS, P6 FOOT HILLS, P7 INCLINE INTERVALS, P8 MOUNTAIN CLIMBING, P9 5K RUN, and P10 10K RUN.

E-1

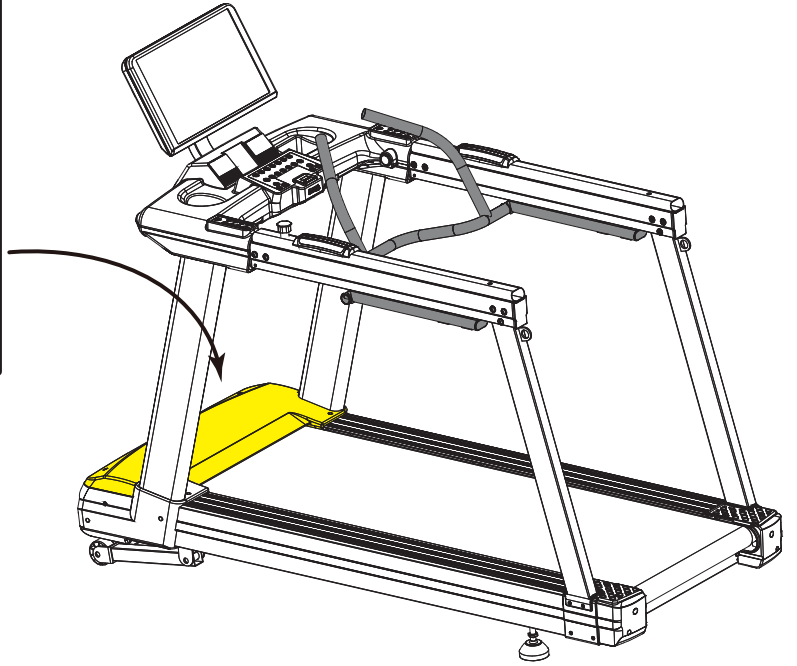
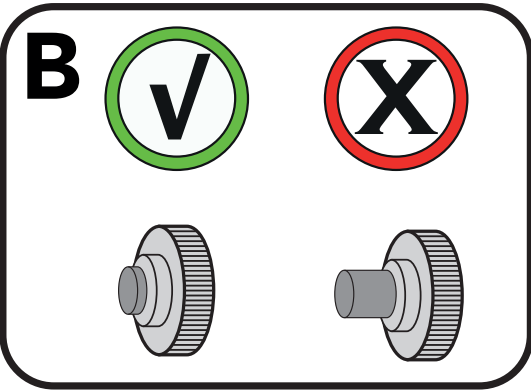
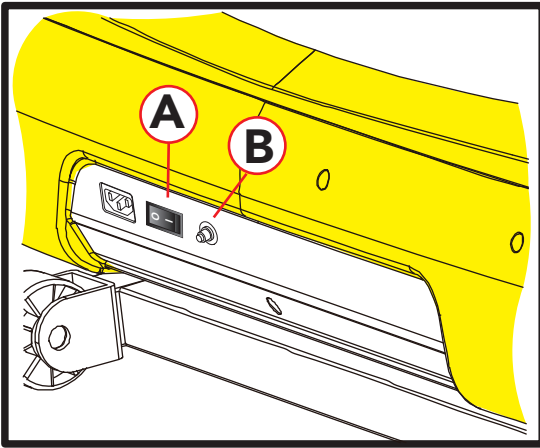


The control panel includes the following components:

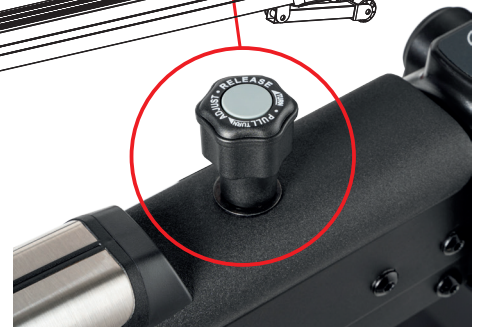
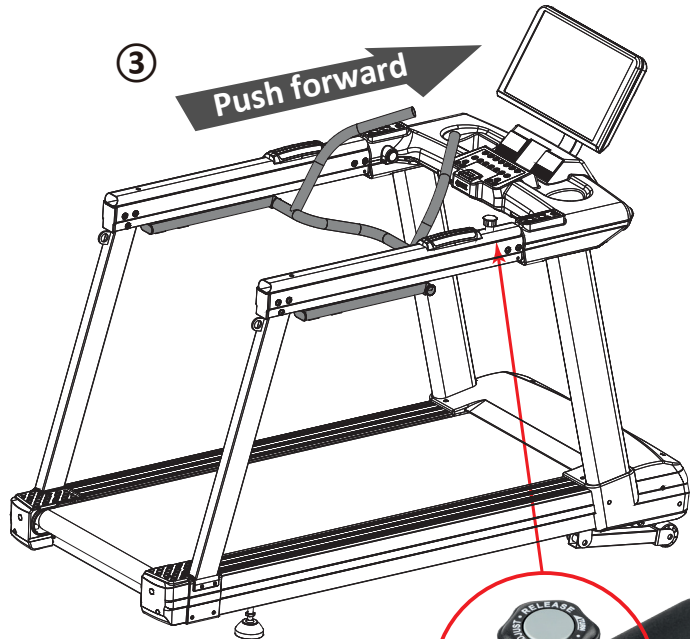
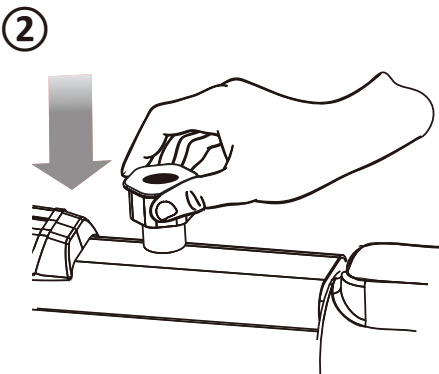
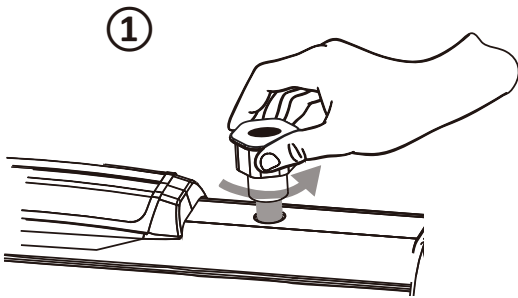
- Left Side:** INCLINE control with a STOP / PAUSE button and a numeric keypad (8, 10, 12, 2, 4, 6).
- Right Side:** SPEED / SLED control with a START button and a numeric keypad (12, 15, 18, 3, 6, 9).
- Center:**
  - SLED PROGRAMS:** GOAL DISTANCE, GOAL TIME, MANUAL, CUSTOM, STRENGTH TEST.
  - TREADMILL PROGRAMS:** LIMIT MODE, P1 - P5, P6 - P10, USER, HRC, GOAL TRAINING, BACKWARD WALKING.
- Bottom:** ENTER, START, RETURN, and STOP / PAUSE buttons, along with a red EMERGENCY stop button.



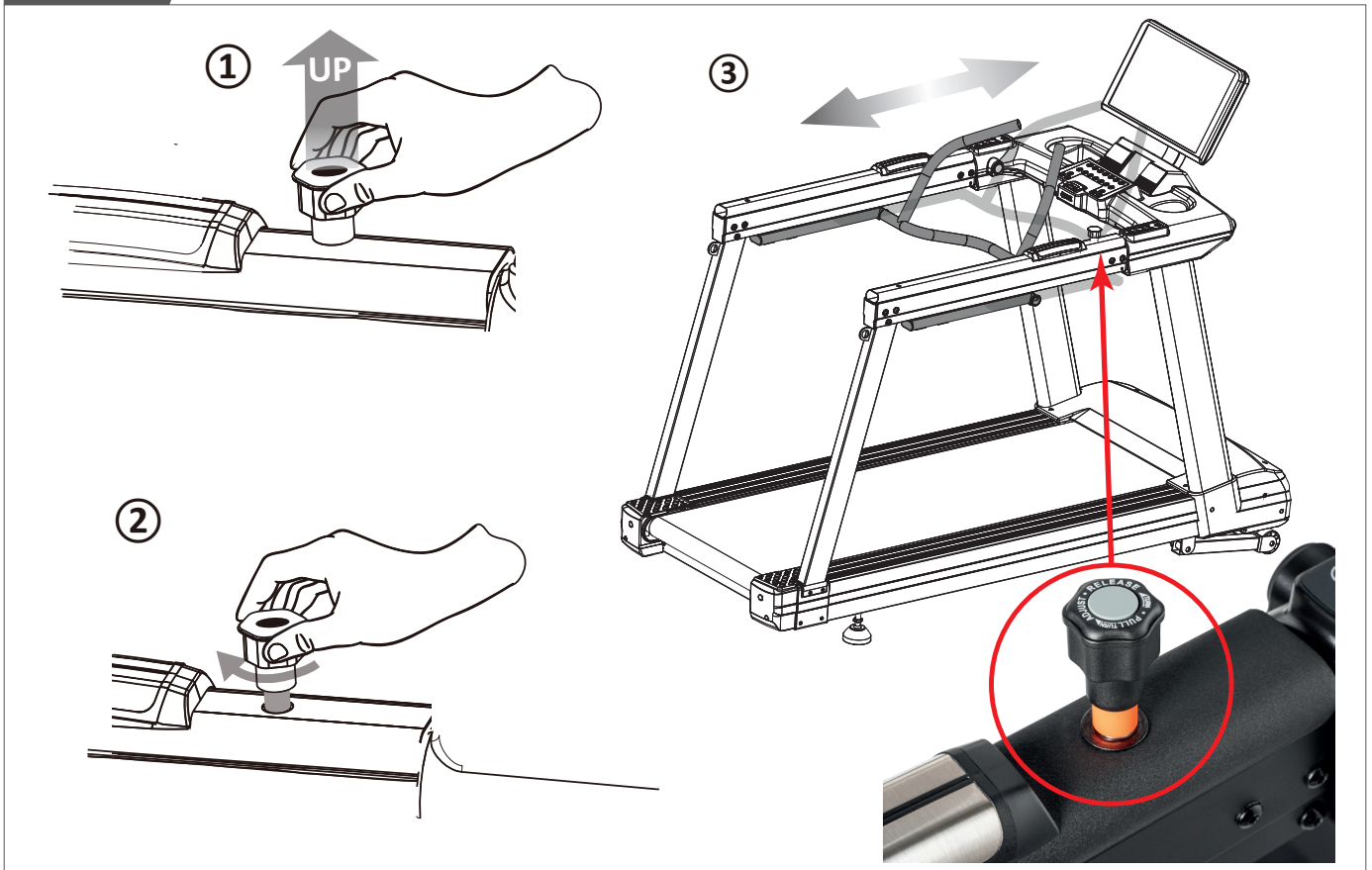
## E-2



## F-1



F-2

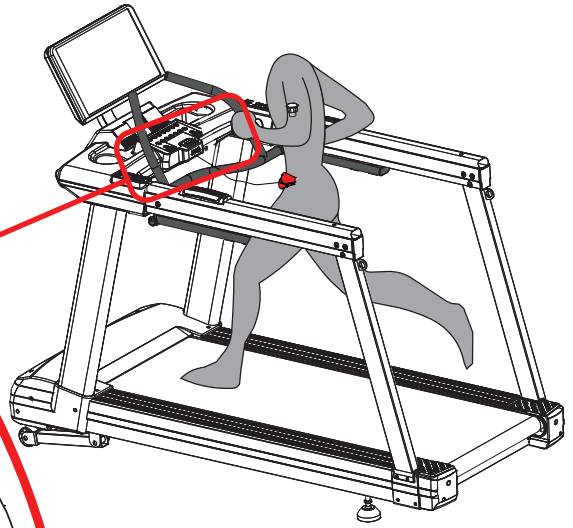
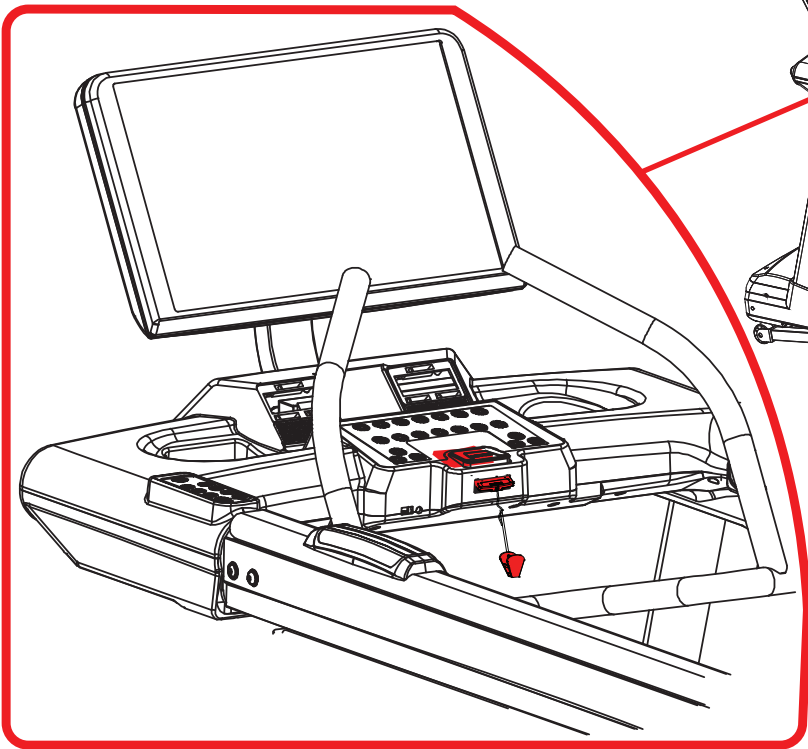


F-3

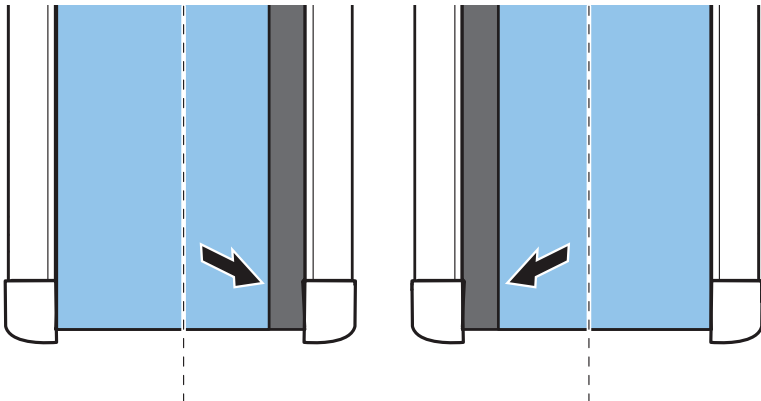




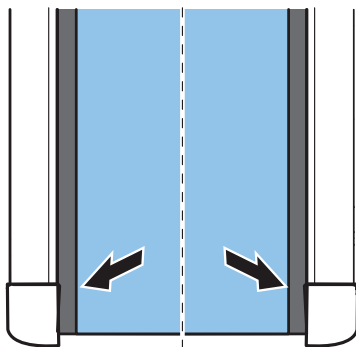
F-4



F-5

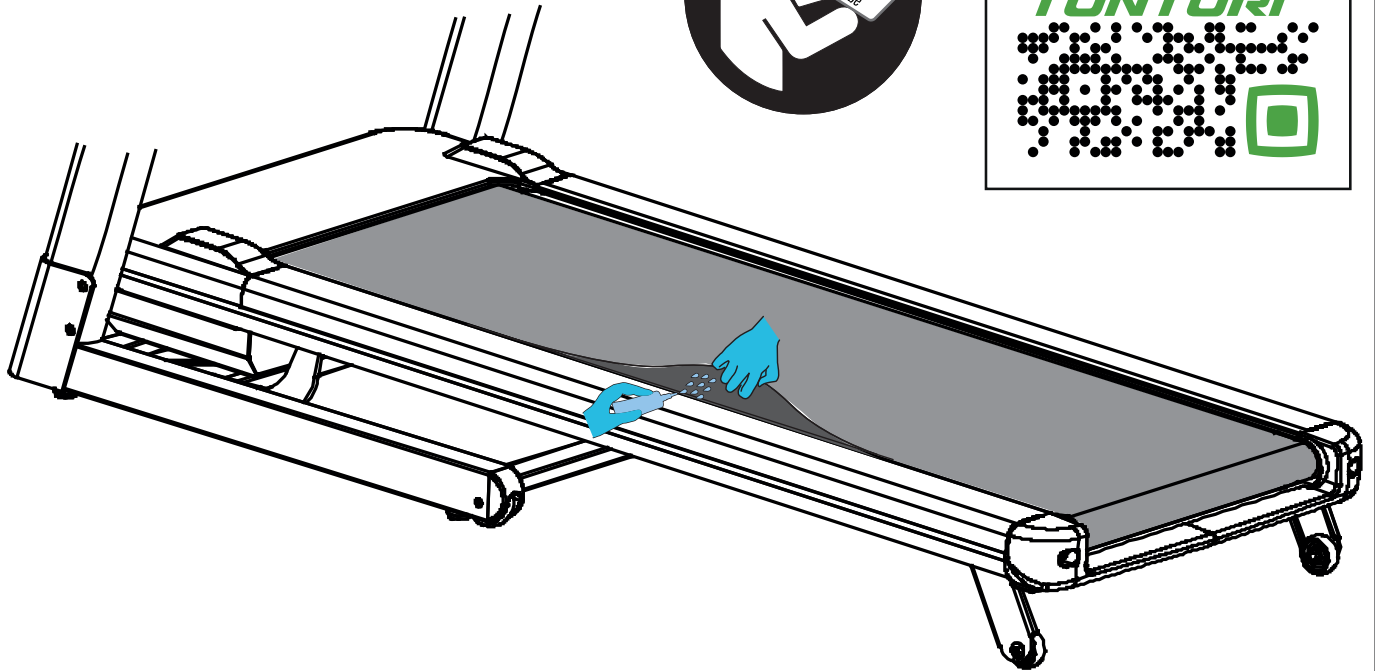


Scan to see YouTube tutorial

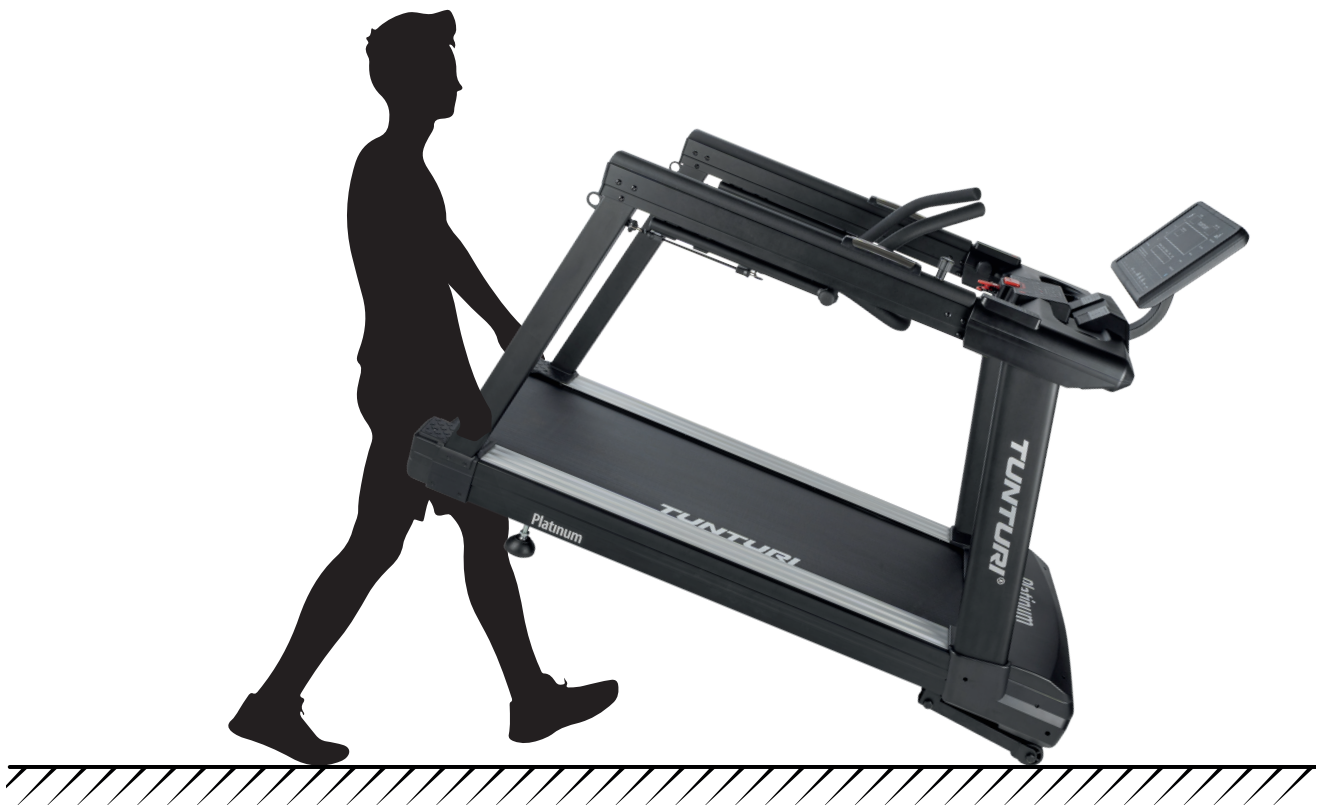


F-6

Scan to see  YouTube tutorial



F-7





# Platinum Core Treadmill

G



- 1= Step up height ± 24 cm
- 2= Arm rest height ± 93 cm
- 3= Inner width of armrests ± 79,0 cm
- 4= Width of running surface ± 56,0 cm
- 5= Length of running surface ± 156,0 cm

- W = Treadmill Width 82,5 cm
- L = Treadmill Length 193,0 cm
- H = Treadmill Height 149,0 cm



**P1~P5**

P1 Speed Interval		Warm Up		1	2	3	4		6	7	8	Cool Down	
Time	Minutes	1 Min.	1 Min.	6 Min.	2 Min.	6 Min.	2 Min.	6 Min.	2 Min.	6 Min.	2 Min.	1 Min.	1 Min.
Level 1	Speed	3.2	4.8	6	10	6	10	6	10	6	10	4.8	3.2
Level 2	Speed	3.2	4.8	7.2	12	7.2	12	7.2	12	7.2	12	4.8	3.2
Level 3	Speed	4	6	8	14	8	14	8	14	8	14	6	4
Level 4	Speed	4	6	8.8	16	8.8	16	8.8	16	8.8	16	6	4

P2 Rolling Hills		Warm Up		1	2	3	4		6	7	8	Cool Down	
Time	Minutes	1 Min.	1 Min.	4 Min.	4 Min.	4 Min.	4 Min.	4 Min.	4 Min.	4 Min.	4 Min.	1 Min.	1 Min.
LEVEL 1	Speed	3.2	4.8	6	7	8	9	10	9	8	7	4.8	3.2
LEVEL 2	Speed	3.2	4.8	7.2	8.4	9.6	10.8	12	10.8	9.6	8.4	4.8	3.2
LEVEL 3	Speed	4	6	8	9.5	11	12.5	14	12.5	11	9.5	6	4
LEVEL 4	Speed	4	6	8.8	10.6	12.4	14.2	16	14.2	12.4	10.6	6	4

P3 Cardio		Warm Up		1	2	3	4		6	7	8	Cool Down	
Time	Minutes	1 Min.	1 Min.	4 Min.	4 Min.	4 Min.	4 Min.	4 Min.	4 Min.	4 Min.	4 Min.	1 Min.	1 Min.
LEVEL 1	Speed	2.5	4.9	7.4	9.8	6.8	8	9.2	10.4	7.6	6.5	3.7	2.5
LEVEL 2	Speed	2.9	5.8	8.7	11.6	7.9	9.4	10.8	12.3	9	7.7	4.3	2.9
LEVEL 3	Speed	3.4	6.8	10.2	13.6	9.4	11.1	12.8	14.5	10.5	9	5.1	3.4
LEVEL 4	Speed	4	8	12	16	11	13	15	17	12.4	10.6	6	4

P4 Peak Intervals		Warm Up		1	2	3	4	5	6	7	8	Cool Down	
Time	Minutes	1 Min.	1 Min.	6 Min.	2 Min.	6 Min.	2 Min.	6 Min.	2 Min.	6 Min.	2 Min.	1 Min.	1 Min.
LEVEL 1	Speed	3.2	4.8	6	10	6	10	6	10	6	10	4.8	3.2
	Incline	2	3	4	8	4	8	4	8	4	8	3	2
LEVEL 2	Speed	3.2	4.8	7.2	12	7.2	12	7.2	12	7.2	12	4.8	3.2
	Incline	2	3	4	8	4	8	4	8	4	8	3	2
LEVEL 3	Speed	4	6	8	13	8	13	8	13	8	13	6	4
	Incline	2	3	4	8	4	8	4	8	4	8	3	2
LEVEL 4	Speed	4	6	8.8	14	8.8	14	8.8	14	8.8	14	6	4
	Incline	2	3	4	8	4	8	4	8	4	8	3	2

P5 Weight Loss		Warm Up		1	2	3	4	5	6	7	8	Cool Down	
Time	Minutes	1 Min.	1 Min.	4 Min.	4 Min.	4 Min.	4 Min.	4 Min.	4 Min.	4 Min.	4 Min.	1 Min.	1 Min.
LEVEL 1	Speed	3.2	4.8	6	7	8	9	10	9	8	7	4.8	3.2
	Incline	2	3	4	4	3	3	3	3	3	4	3	2
LEVEL 2	Speed	3.2	4.8	7.2	8.4	9.6	10.8	12	10.8	9.6	8.4	4.8	3.2
	Incline	2	3	4	4	3	3	3	3	3	4	3	2
LEVEL 3	Speed	4	6	8	9.5	11	12.5	14	12.5	11	9.5	6	4
	Incline	2	3	4	4	3	3	3	3	3	4	3	2
LEVEL 4	Speed	4	6	8.8	10.6	12.4	14.2	16	14.2	12.4	10.6	6	4
	Incline	2	3	4	4	3	3	3	3	3	4	3	2



## P6~P10

P6 FootHills		Warm Up		1	2	3	4	5	6	7	8	Cool Down	
Time	Minutes	1 Min.	1 Min.	4 Min.	4 Min.	4 Min.	4 Min.	4 Min.	4 Min.	4 Min.	4 Min.	1 Min.	1 Min.
LEVEL 1	Incline	2	3	4	5	6	7	8	9	9	9	6	4
LEVEL 2	Incline	3	4	4	6	7	9	9	10	10	11	7	4
LEVEL 3	Incline	3	4	5	7	9	10	11	12	12	13	9	5
LEVEL 4	Incline	4	5	6	8	10	12	13	14	14	15	10	6

P7 Incline intervals		Warm Up		1	2	3	4	5	6	7	8	Cool Down	
Time	Minutes	1 Min.	1 Min.	6 Min.	2 Min.	6 Min.	2 Min.	6 Min.	2 Min.	6 Min.	2 Min.	1 Min.	1 Min.
LEVEL 1	Incline	1	2	5	9	5	9	5	9	5	9	2	1
LEVEL 2	Incline	1	3	6	11	6	11	6	11	6	11	3	1
LEVEL 3	Incline	2	3	7	13	7	13	7	13	7	13	3	2
LEVEL 4	Incline	2	4	8	15	8	15	8	15	8	15	4	2

P8 Mountain Climbing		Warm Up		1	2	3	4	5	6	7	8	Cool Down	
Time	Minutes	1 Min.	1 Min.	4 Min.	4 Min.	4 Min.	4 Min.	4 Min.	4 Min.	4 Min.	4 Min.	1 Min.	1 Min.
LEVEL 1	Incline	0	2	5	6	7	9	9	7	6	5	2	0
LEVEL 2	Incline	0	2	6	7	9	11	11	9	7	6	2	0
LEVEL 3	Incline	0	2	6	9	11	13	13	11	9	6	2	0
LEVEL 4	Incline	0	2	7	9	12	15	15	12	9	7	2	0

P9 5 Km Run		1	2	3	4	5	6	7	8	9	10	11	12
Time	Meters	200	400	600	800	1000	1200	1400	1600	1800	2000	2200	2400
LEVEL 1	Incline	1	1	2	3	2	3	2	3	4	3	2	1
LEVEL 2	Incline	1	1	2	4	3	4	3	4	4	4	3	1
LEVEL 3	Incline	2	2	3	4	3	4	3	4	5	4	3	2
LEVEL 4	Incline	2	2	3	5	4	5	4	5	6	5	4	2

P10 10 Km Run		1	2	3	4	5	6	7	8	9	10	11	12
Time	Minutes	200	400	600	800	1000	1200	1400	1600	1800	2000	2200	2400
LEVEL 1	Incline	1	1	1	2	2	2	2	3	3	2	1	1
LEVEL 2	Incline	1	1	1	2	2	3	3	4	4	2	1	1
LEVEL 3	Incline	2	2	2	3	3	3	3	4	4	3	2	2
LEVEL 4	Incline	2	2	3	3	3	4	4	5	5	3	2	2

## Index

<b>Welcome</b> .....	<b>27</b>
<b>Safety warnings</b> .....	<b>27</b>
Electrical safety .....	28
<b>Assembly instructions</b> .....	<b>28</b>
Description illustration A.....	28
Description illustration B.....	28
Description illustration C.....	28
Description illustration D.....	28
Fasten Nuts and Bolts .....	29
<b>Additional information</b> .....	<b>29</b>
Free training area (Fig. D-0) .....	29
<b>Workouts</b> .....	<b>29</b>
Exercise Instructions.....	29
Heart rate .....	30
<b>Use</b> .....	<b>30</b>
Adjusting the support feet.....	31
Core-bar.....	31
Bungee resistance band .....	31
<b>Console (fig E-1)</b> .....	<b>31</b>
Buttons .....	31
Specific Sled mode button functions .....	32
Specific Limit Speed mode button functions.....	32
Specific backwards mode button functions.....	32
Explanation of display items .....	33
Explanation of displays acoustic beep.....	33
USB function.....	33
<b>Console Operation</b> .....	<b>33</b>
Quick start .....	33
End or Pause your workout.....	33
<b>Sled Programs</b> .....	<b>33</b>
Treadmill Sled function.....	33
Goal Distance .....	34
Goal Time .....	34
Manual .....	34
Custom .....	34
Strength test.....	34
<b>Treadmill programs</b> .....	<b>34</b>
Limit mode.....	34
Programs P1-P5.....	35
Programs P6 - P10.....	35
User.....	35
HRC.....	35
Goal Training .....	35
Backward walking.....	36
Bluetooth & APP.....	36
<b>Cleaning and maintenance</b> .....	<b>36</b>
General Cleaning.....	36
Belt and Running Deck.....	36
Lubrication (Fig. F-6) .....	37
Belt adjustments.....	37

<b>Troubleshooting</b> .....	<b>38</b>
Error codes .....	38
Oil / Lubrication.....	38
Cracking or wringing sound at low speed .....	38
<b>Transport and storage</b> .....	<b>38</b>
<b>Warranty</b> .....	<b>38</b>
<b>Technical data</b> .....	<b>39</b>
<b>Declaration of the manufacturer</b> .....	<b>39</b>
<b>Disclaimer</b> .....	<b>39</b>

## Welcome

Welcome to the world of Tunturi!

Thank you for purchasing this piece of Tunturi equipment. Tunturi offers a wide range of home fitness equipment, including crosstrainers, treadmills, exercise bikes, rowers, strength benches and multi stations. The Tunturi equipment is suitable for the entire family, no matter what fitness level. For more information, please visit our website [www.tunturi.com](http://www.tunturi.com)

### Important Safety Instructions

This Owner's Manual is an essential part of your training equipment: reading all instructions in this manual before you start using this appliance. The following precautions must always be followed:

## Safety warnings

### ⚠ WARNING

- Read the safety warnings and the instructions. Failure to follow the safety warnings and the instructions can cause personal injury or damage to the equipment. Keep the safety warnings and the instructions for future reference.

### ⚠ WARNING

- Heart rate monitoring systems may be inaccurate. Over exercise may result in serious injury or death. If you feel faint stop exercising immediately.

- The equipment is suitable for domestic and professional use only (e.g. hospitals, fire stations, hotels, schools etc.).
- The use of this equipment by children or persons with a physical, sensory, mental or motorial disability, or lack of experience and knowledge can give cause to hazards. Persons responsible for their safety must give explicit instructions or supervise the use of the equipment.
- Before starting your workout, consult a physician to check your health.
- If you experience nausea, dizziness or other abnormal symptoms, immediately stop your workout and consult a physician.
- To avoid muscular pain and strain, start each workout by warming up and finish each workout by cooling down. Remember to stretch at the end of the workout.
- The equipment is suitable for indoor use only. The equipment is not suitable for outdoor use.
- Only use the equipment in environments with adequate ventilation. Do not use the equipment in draughty environments in order not to catch a cold.

- Only use the equipment in environments with ambient temperatures between 10 °C~35 °C. Only store the equipment in environments with ambient temperatures between 5 °C~45 °C.
- Do not use or store the equipment in humid surroundings. The air humidity must never be more than 80%.
- Only use the equipment for its intended purpose. Do not use the equipment for other purposes than described in the manual.
- Do not use the equipment if any part is damaged or defective. If a part is damaged or defective, contact your dealer.
- Keep your hands, feet and other body parts away from the moving parts.
- Keep your hair away from the moving parts.
- Wear appropriate clothing and shoes.
- Keep clothing, jewellery and other objects away from the moving parts.
- Make sure that only one person uses the equipment at a time. The equipment must not be used by persons weighing more than 150 kg (330 lbs).
- Do not open equipment without consulting your dealer.

### **Electrical safety**

(Only for equipment with electric power)

- Before use, always check that the mains voltage is the same as the voltage on the rating plate of the equipment.
- Do not use an extension cable.
- Keep the mains cable away from heat, oil and sharp edges.
- Do not alter or modify the mains cable or the mains plug.
- Do not use the equipment if the mains cable or the mains plug is damaged or defective. If the mains cable or the mains plug is damaged or defective, contact your dealer.
- Always fully unwind the mains cable.
- Do not run the mains cable underneath the equipment. Do not run the mains cable underneath a carpet. Do not place any objects on the mains cable.
- Make sure that the mains cable does not hang over the edge of a table.
- Make sure that the mains cable cannot be caught accidentally or tripped over.
- Do not leave the equipment unattended when the mains plug is inserted into the wall socket.
- Do not pull the mains cable to remove the mains plug from the wall socket.
- Remove the mains plug from the wall socket when the equipment is not in use, before assembly or disassembly and before cleaning and maintenance.

#### **⚠ CAUTION**

- If voltage varies by ten percent (10%) or more, the performance of your treadmill may be affected. Such conditions are not covered under your warranty. If you suspect the voltage is low, contact your local power company or a licensed electrician for proper testing.

#### **⚠ CAUTION**

- Route the power mains cord away from any moving part of the treadmill including the elevation mechanism and transport wheels.

### **Grounding Instructions**

This product must be grounded. If the treadmill's electrical system should malfunction or breakdown grounding provides a path of least resistance for electric current, reducing the risk of electric shock. This product is equipped with a cord having an equipment-grounding plug. The plug must be plugged into an appropriate outlet that is properly installed and grounded in accordance with all local codes and ordinances.

#### **⚠ WARNING**

- Improper connection of the equipment-grounding conductor can result in a risk of electric shock. Check with a qualified electrician or serviceman if you are in doubt as to whether the product is properly grounded. Do not modify the plug provided with the product if it will not fit the outlet; have a proper outlet installed by a qualified electrician.

## **Assembly instructions**

### **Description illustration A**

The illustration shows what the trainer will look like after the assembly is completed.

You can use this as a reference during your assembly, but do follow the assembly steps always in the correct sequence as showed in the illustrations.

### **Description illustration B**

The illustration shows what components and parts you should find when un-boxing your product.

#### **⚠ NOTE**

- Small parts can be hidden/ packed in hollow spaces in the Styrofoam product protection
- If a part is missing, contact your dealer.

### **Description illustration C**

The illustration shows the hardware kit that comes with your product. The hardware kit contains bolts, washers, screws, nuts etc. and the required tools to properly fit your trainer.

### **Description illustration D**

The illustrations show you in the correct following order how to assemble your trainer best.

#### **⚠ NOTE**

- Part numbers shown in the assembly steps are commencing with the spare part drawing that can be found in the online full version user manual.

#### **⚠ WARNING**

- Assemble the equipment in the given order.
- Carry and move the equipment with at least two persons.

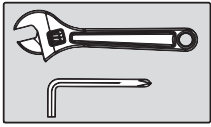
#### **⚠ CAUTION**

- Place the equipment on a firm, level surface.
- Place the equipment on a protective base to prevent damage to the floor surface.
- Refer to the illustrations for the correct assembly of the equipment.

#### **⚠ NOTE**

- Save the tools provided with this product, after you completed the product assembly, for future service purposes.

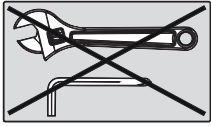
## Fasten Nuts and Bolts



Securely tighten all Nuts and Bolts after all components have been assembled in current and previous steps.

### NOTE

- Do not over tighten any component with pivoting function.
- Make sure all pivoting components are able to move freely.



Do not tighten all Nuts and Bolts in this step.

## Additional information

### Packaging disposal

Government guidelines ask that we reduce the amount of waste material disposed of in land fill sites. We therefore ask that you dispose of all packaging waste responsibly at public recycling centres.

### End of life disposal

We at Tunturi hope you enjoy many years of enjoyable use from your fitness trainer. However, a time will come when your fitness trainer will come to the end of its useful life. Under 'European WEEE Legislation you are responsible for the appropriate disposal of your fitness trainer to a recognised public collection facility.

### Free training area (Fig. D-0)

#### Front of the equipment

Allow at least 30 cm clearance in front of the equipment.

- The free training area for this section can be shared with other equipment of the same kind when both are facing each other.

#### Side of the equipment.

Allow at least 60 cm clearance on each side of the equipment.

- The free training area for this section can be shared with other equipment of the same kind when both are facing each other.

#### Rear side of the equipment

Allow at least 200 cm clearance behind the equipment.

- The free training area for this section cannot be shared with other equipment of the same kind, the extra free space required is depending on the orientation of both equipment and should be the sum of both values.

## Workouts

The workout must be suitably light, but of long duration. Aerobic exercise is based on improving the body's maximum oxygen uptake, which in turn improves endurance and fitness. You should perspire, but you should not get out of breath during the workout.

To reach and maintain a basic fitness level, exercise at least three times a week, 30 minutes at a time. Increase the number of exercise sessions to improve your fitness level. It is worthwhile to combine regular exercise with a healthy diet. A person committed to dieting should exercise daily, at first 30 minutes or less at a time, gradually increasing the daily workout time to one hour. Start your workout at low speed and low resistance to prevent the cardiovascular system from being subjected to excessive strain.

As the fitness level improves, speed and resistance can be increased gradually. The efficiency of your exercise can be measured by monitoring your heart rate and your pulse rate.

### Exercise Instructions

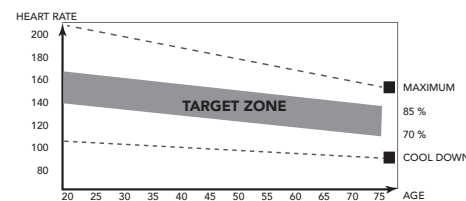
Using your fitness trainer will provide you with several benefits, it will improve your physical fitness, tone muscle and in conjunction with a calorie controlled diet help you lose weight.

#### The warming up phase

This stage helps get the blood flowing around the body and the muscles working properly. It will also reduce the risk of cramp and muscle injury. It is advisable to do a few stretching exercises as shown below. Each stretch should be held for approximately 30 seconds, do not force or jerk your muscles into a stretch - if it hurts, STOP

#### The exercise phase

This is the stage where you put the effort in. After regular use, the muscles in your legs will become more flexible. Work to your but it is very important to maintain a steady tempo throughout. The rate of work should be sufficient to raise your heart beat into the target zone shown on the graph below.



This stage should last for a minimum of 12 minutes though most people start at about 15-20 minutes

#### The cool down phase

This stage is to let your Cardiovascular System and muscles wind down. This is a repeat of the warm up exercise e.g. reduce your tempo, continue for approximately 5 minutes. The stretching exercises should now be repeated, again remembering not to force or jerk your muscles into the stretch.

As you get fitter you may need to train longer and harder. It is advisable to train at least three times a week, and if possible space your workouts evenly throughout the week.

#### Muscle toning

To tone muscle while on your fitness trainer you will need to have the resistance set quite high. This will put more strain on our leg muscles and may mean you cannot train for as long as you would like. If you are also trying to improve your fitness you need to alter your training program. You should train as normal during the warm up and cool down phases, but towards the end of the exercise phase you should increase resistance making your legs work harder. You will have to reduce your speed to keep your heart rate in the target zone.

#### Weight loss

The important factor here is the amount of effort you put in. The harder and longer you work the more calories you will burn. Effectively this is the same as if you were training to improve your fitness, the difference is the goal.

## Heart rate

### Pulse rate measurement (hand pulse sensors)

The pulse rate is measured by sensors in the handlebars when the user is touching both sensors at the same time. Accurate pulse measurement requires that the skin is slightly moist and constantly touching the hand pulse sensors. If the skin is too dry or too moist, the pulse rate measurement will become less accurate.

#### NOTE

- Do not use the hand pulse sensors in combination with a heart rate chest belt.
- If you set a heart rate limit for your workout, an alarm will sound when it is exceeded.

### Heart rate measurement (heart rate chest belt)

#### NOTE

- A chest strap does not come standard with this trainer. When you like to use a wireless chest strap you need to purchase this as an accessory.

The most accurate heart rate measurement is achieved with a heart rate chest belt. The heart rate is measured by a heart rate receiver in combination with a heart rate transmitter belt. Accurate heart measurement requires that the electrodes on the transmitter belt are slight moist and constantly touching the skin. If the electrodes are too dry or too moist, the heart rate measurement will become less accurate.

#### WARNING

- If you have a pacemaker, consult a physician before using a heart rate chest belt.

#### CAUTION

- If there are several heart rate measurement devices next to each other, make sure that the distance between them is at least 1.5 metres.
- If there is only one heart rate receiver and several heart rate transmitters, make sure that only one person with a transmitter is within transmission range.

#### NOTE

- Do not use a heart rate chest belt in combination with the hand pulse sensors.
- Always wear the heart rate chest belt under your clothes directly in contact with your skin. Do not wear the heart rate chest belt above your clothes. If you wear the heart rate chest belt above your clothes, there will be no signal.
- If you set a heart rate limit for your workout, an alarm will sound when it is exceeded.
- The transmitter transmits the heart rate to the console up to a distance of 1 metre. If the electrodes are not moist, the heart rate will not appear on the display.
- Some fibers in clothes (e.g. polyester, polyamide) create static electricity which can prevent accurate heart rate measurement.
- Mobile phones, televisions and other electrical appliances create an electromagnetic field which can prevent accurate heart rate measurement.

### Maximum heart rate (during training)

The maximum heart rate is the highest heart rate a person can safely achieve through exercise stress. The following formula is used to calculate the average maximum heart rate:  $220 - AGE$ . The maximum heart rate varies from person to person.

#### WARNING

- Make sure that you do not exceed your maximum heart rate during your workout. If you belong to a risk group, consult a physician.

### Beginner 50-60% of maximum heart rate

Suitable for beginners, weight-watchers, convalescents and persons who have not exercised for a long time. Exercise at least three times a week, 30 minutes at a time.

### Advanced 60-70% of maximum heart rate

Suitable for persons who want to improve and maintain fitness. Exercise at least three times a week, 30 minutes at a time.

### Expert 70-80% of maximum heart rate

Suitable for the fittest of persons who are used to long-endurance workouts.

## Use

### Master power switch (fig. E-2A)

The equipment is equipped with a master power switch to shut down the equipment completely.

#### To start the equipment:

- Insert the mains plug into the equipment.
- Insert the mains plug into the wall socket.
- Set the master power switch to the on position.

#### To stop the equipment:

- Set the mains power switch to the off position.
- Remove the mains plug from the wall socket.
- Remove the mains plug from the equipment.

### Safety key (Fig F-4)

The equipment is equipped with a safety key that must be properly inserted into the console to start the equipment. If your safety key is pulled out partly it will activate the emergency mode and will have the equipment stop immediately.

The safety key will also be pushed out of position when the red emergency button is pressed.

- Insert the safety key into the slot in the console by pressing it inwards.
- Make sure that the clip of the safety key is properly attached to your clothing.  
Make sure the clip attached to your clothing is attached firm enough so it can pull out the safety key when needed.

#### NOTE

- Console will show a scrolling text reading: "PUT THE SAFETY KEY ON", and also will have vertical scrolling lines in main screen when safety key is not in (correct) position.

### Circuit breaker (Fig. E-2B)

The equipment is equipped with a circuit breaker that interrupts the circuit when the electricity load is above the maximum capacity. When this occurs, the circuit breaker must be pressed.

#### WARNING

- Before pressing the circuit breaker, remove the mains plug from the equipment.

If the equipment shuts down, proceed as follows to restart the equipment:

- Remove the mains plug from the equipment.
- Press the circuit breaker to restart the equipment.
- Insert the mains plug into the equipment.

#### NOTE

- Some circuit breakers used in homes are not rated for high inrush currents that can occur when a treadmill is first turned on or even during normal use. If your treadmill is tripping the circuit breaker (even though it is the proper current rating and the treadmill is the only appliance on the circuit) but the circuit breaker on the treadmill itself does not trip, you will need to replace the breaker with a high inrush type. This is not a warranty defect. This is a condition we as a manufacture have no ability to control.

### Adjusting the support feet

The equipment is equipped with adjustable support feet. If the equipment feels unstable, wobbly, or not levelled well, these support feet can be adjusted to make the required corrections.

- Turn the support feet in/ out as required to put the equipment in a stable and as well possible levelled position.
- Tighten the locknut's\* to lock the support feet.

#### QUICK TIP

- It is easier to do this with two persons, so one person can tilt the equipment, while the other makes the needed adjustment.

#### NOTE

- The equipment is most stable when it is as low to the floor as possible. Therefore, start to level the equipment by turning all support feet fully in, before turning out the required support feet to stabilize and level the equipment.

### Core-bar

The core-bar should be set in storage position for treadmill walking/ running function, and be set in function mode for the sled functions.

#### **Fix the Core-Bar before running (Fig F-1)**

#### NOTE

- Detach additional bungee resistance bands first before put core bar in storage position, by unhooking from the core-bar.
- Pull the pop-pin knob and turn it in anti-clockwise direction until the knob goes down automatically.
- Stand on the side rails and use push the core-bar forwards until the pop-pin locks the corebar by falling fully down.  
It requires medium strength to push the core-bar forward

#### **Free the corebar for sled function (Fig F-2)**

#### NOTE

- Make sure the corebar is free of accessories before free the corebar.
- Pull the pop-pin knob up and turn it in clockwise direction to keep it up risen position.
- The corebar will automatically moves in operational position by moving backwards.

### Bungee resistance band

The bungee resistance bands can be used to increase the core-bar resistance in sled mode functions.

Simply hook one or both bungee resistance band onto the core-bar bottom side to increase the resistance to your liking. (Fig. F-3)

### Console (fig E-1)

#### CAUTION

- Keep the console away from direct sunlight.
- Dry the surface of the console when it is covered with drops of sweat.
- Do not lean on the console.
- Only touch the display with the tip of your finger. Make sure that your nails or sharp objects do not touch the display.

#### NOTE

- The console switches to standby mode when the equipment is not used for 4 minutes.

### Buttons

#### **See (Fig. E-1)**

#### CAUTION

- Some buttons have different functions according to the treadmill functional setting.
- Main button function information does apply to the functions when the treadmill is in normal treadmill operational mode.
- Buttons with different functions in other functional modes are mentioned separately in the sections:
  - Specific Sled mode button functions.
  - Specific Limit Speed mode button functions.
  - Specific backwards mode button functions.

### Emergency

- Press the Red Emergency button will activate the Emergency stop, stopping the running belt movement rapidly.
- Pressing the emergency button will cause the safety key to pop out slightly, avoiding to restart the treadmill accidentally.
- Push the safety key back into it's slot fully to deactivate the emergency stop mode.

### Enter

Confirm set data in setting programming mode.

### Minus

Decrease value in setting programming mode.

### Plus

Increase value in setting programming mode.

### Start

In stop mode, press button to start workout.

In pause mode, press button to continue workout.

### Return

Press button to go back in setting menu.

### Stop / Pause

In workout mode, press to set treadmill in pause mode.

In pause mode, press to set treadmill in stop mode.

### Sled Programs quick select buttons

In stop mode, press button to select a sled function program and open the program associated setting menu.

Sled programs are: Goal Distance, Goal Time, Manual, Custom, Strength Test

### Treadmill programs quick select buttons

In stop mode, press button to select a treadmill function program and open the program associated setting menu.

Sled programs are: Limit mode, P1-P5, P6-P10, User, HRC, Goal Training, Backward walking

### Left hand handle bar buttons - Stop

Function is the same as for the "Stop / Pause" button located on the main button board.

### Left hand handle bar buttons - Incline Minus

- Decreases the incline (0 ~ 15 -1)
- Change values in programming mode.

### Left hand handle bar buttons - Incline Plus

- Increases the incline (0 ~ 15 +1).
- Change values in programming mode.

### Left hand handle bar buttons - Incline hot keys

- Incline Hot Keys are set as 2, 4, 6, 8, 10, 12
- Example when treadmill is used in treadmill function mode.  
The incline level changes from any level to 6 by pressing the Incline Hot Key 6.

### Right handle bar Speed / Sled - Start

Function is the same as for the "Start" button located on the main button board.

### Right handle bar Speed / Sled - Minus

- Decreases the speed (0.5 ~ 20.0 km/h).
- Pressing once decreases the speed 0.1 km/h.
- Pressing and holding for two seconds will decrease the speed faster.
- Change values in programming mode.

### Right handle bar Speed / Sled - Plus

- Increase the speed (0.5 ~ 20.0 km/h).
- Pressing once increases the speed 0.1 km/h.
- Pressing and holding for two seconds will increase the speed faster.
- Change values in programming mode.

### Right handle bar Speed / Sled - Hot keys

- "Speed/ Sled" keys are set as 3, 6, 9, 12, 15, 18.
- Example when treadmill is used in treadmill function mode.  
The speed changes from any speed to 9 km/h by pressing the Speed Hot Key 9.

### Specific Sled mode button functions

#### Handle bar Speed / Sled - Minus

- Decreases the sled resistance (1 ~ 100%).
- Pressing once to decreases the resistance by 1%.
- Pressing and holding for two seconds will decrease the resistance faster.
- Scroll programs and change values in programming mode.

#### Handle bar Speed / Sled - Plus

- Increase the sled resistance (1 ~ 100%).
- Pressing once to increase the resistance by 1%.
- Pressing and holding for two seconds will increase the resistance faster.
- Scroll programs and change values in programming mode.

### Handle bar Speed / Sled - Hot keys

When the treadmill is set to Sled mode function, the hot keys are programmed to represent

Quick button 3	15%	Quick button 12	60%
Quick button 6	30%	Quick button 15	75%
Quick button 9	45%	Quick button 18	90%

- When pressing a quick button the resistance is instantly set to the commencing resistance.
- Example when treadmill is used in sled mode, and button 9 is pressed, the resistance will change to 45% directly.

### Specific Limit Speed mode button functions

#### Handle bar Speed / Sled - Minus

- Decreases the speed (0.1 ~ 2.5 km/h).
- Pressing once decreases the speed 0.1 km/h.
- Pressing and holding for two seconds will decrease the speed faster.

#### Handle bar Speed / Sled - Plus

- Increase the speed (0.1 ~ 2.5 km/h).
- Pressing once increases the speed 0.1 km/h.
- Pressing and holding for two seconds will increase the speed faster.

### Handle bar Speed / Sled - Hot keys

When the treadmill is set into Limit speed mode function, the hot keys are programmed to represent

Quick button 3	0.6	Quick button 12	1.5
Quick button 6	0.9	Quick button 15	1.8
Quick button 9	1.2	Quick button 18	2.1

- When pressing a quick button the speed is instantly set to the commencing speed
- Example when treadmill is used in Limit speed mode.  
The speed changes from any speed to 1.2 km/h by pressing the Speed Hot Key 9.

### Specific backwards mode button functions

#### Handle bar Speed / Sled - Minus

- Decreases the speed (0.1 ~ 2.5 km/h).
- Pressing once decreases the speed 0.1 km/h.
- Pressing and holding for two seconds will decrease the speed faster.

#### Handle bar Speed / Sled - Plus

- Increase the speed (0.1 ~ 2.5 km/h).
- Pressing once increases the speed 0.1 km/h.
- Pressing and holding for two seconds will increase the speed faster.

### Handle bar Speed / Sled - Hot keys

When the treadmill is set into Backwards mode function, the hot keys are programmed to represent

Quick button 3	0.6	Quick button 12	1.5
Quick button 6	0.9	Quick button 15	1.8
Quick button 9	1.2	Quick button 18	2.1

- When pressing a quick button the speed is instantly set to the commencing speed
- Example when treadmill is used in backwards speed mode.  
The speed changes from any speed to 1.2 km/h by pressing the Speed Hot Key 9.



## Explanation of display items

### **Dot matrix**

The dot matrix shows the program profile in two sections, knowing.

- First 10 rows represent the incline setting
- Second 10 rows represent the speed setting when being in treadmill mode.
- The Sled intensity when being in sled mode.
- Displays parameter data when being in programming mode.

### **Incline**

- Shows the actual treadmill incline in workout mode.
- Shows target incline in programming mode.

### **Speed/ Sled**

Speed/ Sled is a shared window having different function depending on the treadmill mode.

When the treadmill is in Treadmill functional mode (also limit speed and backwards speed)

- Shows the actual treadmill speed in KM/H.
- Shows target speed in programming mode.

When the treadmill is in Sled functional mode.

- Shows the actual treadmill resistance in % when being in sled mode.
- Shows target speed in treadmill function programming mode.

### **Heart rate**

- Shows the measured pulse rate in workout mode, or "P" when no pulse is measured.

### **Ticker bar**

Ticker bar shows information or instructions to guide the users operating correctly when treadmill is in standby mode.

#### **Ticker bar - Program section**

- Displays the program selection when being in programming mode.
- Displays "-- --" when being in workout mode.

#### **Ticker bar - Call/ Watt section**

- Shows the consumed K .calories in workout mode.
- Shows left K. calories when workout in goal calories mode.
- Shows the target K. calories when being in programming mode.
- Displays Watt when being in Sled mode.

#### **Ticker bar - Distance section**

- Shows the ran distance workout mode.
- Shows left distance when workout in goal distance mode.
- Shows the target distance when being in programming mode.

#### **Ticker bar - Time section**

- Shows the ran time in workout mode.
- Shows left time when workout in goal time mode.
- Shows the target time when being in programming mode.

#### **Ticker bar - User section**

- Displays the User selection when being in programming mode.
- Displays "-- --" when being in workout mode.

## Explanation of displays acoustic beep

The console is designed to notify the user with an acoustic beep.

This is to make the user aware of the change for safer workout.

The console will notify the user when:

- A button is pressed.
- When you reach a goal that has been pre-set.
- To announce a speed or incline change in the active selected program.

## USB function

The user can connect their device to charge during workout.

Voltage/ Current: 5VDC/ 1.0 Amp

## Console Operation

### Quick start

- Press "Start/ Pause" button to start your workout without any pre-set settings.
- Treadmill will start at minimum speed of 0.8 Km/h, and maintains the current set incline setting.
- Adjust Speed / Incline manually at any time to change your workout, and stop/ pause at anytime.

### End or Pause your workout

- Pause your workout at any time by press "Stop/ Pause" button once.  
Display will show "PAUSE" when being in pause mode.  
Max pause time is 4.30 min.
- Press "Start/ Pause" button to resume training when being in "PAUSE" mode.
- Press "STOP" once button to Pause workout.
- Press "STOP" twice to End workout and set console in: "Reset/ Program selection" mode.

## Sled Programs

To set a Sled functional program, the treadmill must be in "Reset/ Program selection" mode.

Set your treadmill in reset mode, by pressing the "Stop" button twice.

### NOTE

- The console will memorize your latest used setting as your preferred and will use this as the default in programming mode.

### Treadmill Sled function

When using the treadmill in Sled mode, the treadmill will change the walking/ running workout into a Sled pushing workout function.

In this mode the user needs to set the belt in motion by push force, in where the resistance of the belt can be increased in percentages to intensify your workout.

### Goal Distance

- Press Goal distance button to select Goal Distance program.
- Display show distance "50" as the default, or the latest set goal as it memorize the latest set distance as your preferred.
- Use "Plus or Minus" buttons to set your desired goal.  
± 100 mtr. Range: 50 ~ 9000 mtr.
- Press Start for count down en start your workout by pushing the running belt into motion.
- "Speed/ Sled" Plus or Minus buttons can be use to change the resistance also +/-
- The workout will stop when reached your pre set target distance.

### Goal Time

- Press Goal Time button to select Goal Time program.
- Display show "30 sec." as the default, or the latest set goal as it memorize the latest set distance as your preferred.
- Use "Plus or Minus" buttons to set your desired goal.  
± 5 sec. Range: 5 ~ 990 sec.
- Press Start for count down en start your workout by pushing the running belt into motion.
- "Speed/ Sled" Plus or Minus buttons can be use to change the resistance also +/- during workout.
- The workout will stop when reached your pre set target time.

### Manual

- Press Manual button to select Manual program.
- Display show distance "10%" as the default set Time goal.
- Use "Speed/ Sled Plus or Minus" buttons to set your desired start resistance for your workout.  
± 1 % Range: 1 ~ 100%.
- Press Start for count down en start your workout by pushing the running belt into motion.
- "Speed/ Sled" Plus or Minus buttons can be use to change the resistance also +/- during workout.
- The workout will stop when user stops the workout manually.

### Custom

There are 5 custom programs available, knowing: C1, C2, C3, C4 & C5. These programs are free to configure by the users preferences.

- Press Custom button to select Custom program.
- Display will show C1 per default, use "Custom" buttons to select C1 ~ C5 as you desire and press Enter to confirm.
- Set the number of steps you like in your profile.  
The display shows the default for program selected program..  
Use "Plus or Minus" buttons to set number of steps.  
Range: 2 ~ 12 ( ± 1 ), and press Enter to confirm.
- Set the "interval" representing the active Sled functional time for each of the steps.  
The Heart rate display shows 15 as default (time in seconds).  
Use "Plus or Minus" buttons to set the resting time in seconds.  
Range: 15 ~ 120 ( ± 15 ), and press Enter to confirm.
- Set the "Rest time" as in pause time in between the sled workout steps..  
The Heart rate window display shows 15 as default (time in seconds).  
Use "Plus or Minus" buttons to set the resting time in seconds.  
Range: 15 ~ 120 ( ± 15 ), and press Enter to confirm.
- Set the resistance level for the workout mode..  
The display shows 10% as default.  
Use "Sled-Speed Plus or Minus" buttons to set the desired resistance level for the first segment of your Custom workout.  
Range: 1% ~ 100% ( ± 1 )

Set the incline level and press Enter to confirm.

The display shows 0 as default (time in seconds).

Use "Incline Plus or Minus" buttons to set the resting time in seconds.

Use "Incline Plus or Minus" buttons to set the desired incline level for the first segment of your Custom workout.

Range: 0 ~ 15 ( ± 1 )

- Set the settings for all steps in your custom workout in the same manner.
- Press "Start" to start your workout.

### **NOTE**

- Settings will be saved automatically.
- Settings can be changed by selecting the same program and make the desired changes.

### Strength test

The strength test program is set up to measure the users maximum strength.

- Press Strength Test button to select Strength Test program.
- Display shows the default set Time goal.
- Use "Plus or Minus" buttons to set your desired goal.  
± 30 sec. Range: 30 ~ 120 sec.
- Press "Start" to start your workout.  
Trainer will generate 100% resistance, in where the user should give it's best effort to set the running belt in motion as fast as he/ she possibly can.  
During the test the real time parameters will be shown in the display.
- After reaching the set target time, the console will show the test result in total Distance and average resistance calculated over the total test duration.

### Treadmill programs

When using the treadmill in treadmill mode, the treadmill will use the internal motor to drive the running belt speed.

This is the standard function of a conventional treadmill.

To set a treadmill program, the treadmill must be in "Reset/ Program selection" mode.

Set your treadmill in reset mode, by pressing the "Stop" button twice

### **NOTE**

- The console will memorize your latest used setting as your preferred and will use this as the default in programming mode.

### Limit mode

- Press Limit Mode button to select Limit mode program.
- Press "Start" to start your workout.
- Treadmill will start at the speed of 0.1 KM/H.
- "Speed/ Sled" Plus or Minus buttons can be use to change the workout speed at any time.  
± 0.1 KM/H Range: 0.1 ~ 2.5 KM/H.
- The workout will stop when user stops the workout manually.

## Programs P1-P5

There are 10 pre programmed programs.

- P1~P3 are speed controlled programs.
- P4-P5 are speed & incline combination controlled programs.
- See: Image P1-P5 to learn the treadmill program P1-P5 content.

- Press P1-P5 button to select Limit mode program.
- Use "P1-P5" buttons to select your desired program.  
Display show distance P1 as the default program
- Use "P1-P5" buttons to select desired program: P1 ~ P5,  
and press Enter to confirm.
- Use "Plus or Minus" buttons to select your desired program level.  
Display show .L1 as the default program level.
- Use "Plus or Minus" buttons to select desired level: L1 ~ L4,  
and press Enter to confirm.
- Press "Start" to start your workout.
- The workout will stop when the end of the program is reached.

### **P1 ~ P5 program behaviour**

- The duration of the program is set to 36 minutes.  
Each minute the profile will shift to the next program segment,  
and will start over again when reached the end.  
You can change speed and incline at any moment. The program  
will pick up it's profile automatically when shifting to next stage.
- The workout will stop when the end of the program is reached.

## Programs P6 - P10

There are 10 pre programmed programs.

- P6~P10 are incline controlled programs.
- See: Image P6~P10 to learn the treadmill program P6~P10  
content.
- Press P6-P10 button to select Limit mode program.
- Use "Plus or Minus" buttons to select your desired program.  
Display show distance P1 as the default program
- Use "Plus or Minus" buttons to select desired program: P6 ~ P10,  
and press Enter to confirm.
- Use "Plus or Minus" buttons to select your desired program level.  
Display show .L1 as the default program level.
- Use "Plus or Minus" buttons to select desired level: L1 ~ L4,  
and press Enter to confirm.
- Press "Start" to start your workout.

### **P6 ~ P8 program behaviour**

- The duration of the program is set to 36 minutes.  
Each minute the profile will shift to the next program segment,  
and will start over again when reached the end.  
You can change speed and incline at any moment. The program  
will pick up it's profile automatically when shifting to next stage.
- The workout will stop when the end of the program is reached.

### **P9 - P10 program behaviour**

- The duration of the program is set to 5km for P9 and 10km for P10.  
Each 200 meter the profile will shift to the next program segment,  
and will start over again when reached the end.  
You can change speed and incline at any moment.
- The workout will stop when the end of the program is reached.

## User

- Press "User" button to select / configure a User program.  
The display shows U1 as default.
- Use "User" buttons to select desired User : U1 ~ U5,  
and press Enter to confirm.

## **Set User data**

- Set your gender, the display shows (male) or (female).  
Use "Plus or Minus" buttons to select correct gender  
and press Enter to confirm.
- Display shows Age, to set your Age.  
The display shows 30 as default, or latest set age.  
Use "Plus or Minus" buttons to set the correct age  
 $\pm 1$  Range: 15 ~ 80 year and press Enter to confirm.
- Display shows Height, to set your body length.  
The display shows 170 (cm) as default, or latest set body length.  
Use "Plus or Minus" buttons to set the correct age  
 $\pm 1$  Range: 100 ~ 220 (cm) and press Enter to confirm.
- Display shows Weight to set your body weight.  
The display shows 75 (kg) as default, or shows latest set weight..  
Use "Plus or Minus" buttons to set the correct age  
 $\pm 1$  Range: 30 ~ 150 (kg) and press Enter to confirm.
- Pulse window will display the personal BMI index based on the set  
user parameters.

## **Set user program profile.**

- Press enter, to open setting menu for your user program profile.
- Heartrate display shows : 1 to inform you to set speed and incline  
settings for your first stage of your profile out of 12 stages.
- Set your desired Speed setting for the first segment of the user  
program by using the Speed Up/ Down buttons.  
Set your desired Incline setting for the first segment of the User  
program by using the Incline Up/ Down buttons.  
Confirm by pressing Enter button.
- Heartrate display shows 2  
Set all the 12 segments of your program profile.
- Display shows time goal "35"min use +/- button to change the  
time goal.  $\pm 1$  Range: 1 ~ 99  
Press start to start the exercise.

## HRC

### Note

- Suggested Heart rate is based on the users maximum heart rate,  
calculated by the users age, being:  $220 - \text{Age}$ .
- Minimal HR setting is 50% of users max HR
- Maximum HR target setting is 100% of users max. HR.

- Press HRC button to select HRC program.
- Set Users age by use "Plus or Minus" buttons, confirm by pressing  
Enter button
- Set desired Heart rate target by using "Plus or Minus" buttons  
confirm enter. ( max limit is determine by set age (  $220 - \text{age}$  )
- Press "Start" to start your workout.
- The workout will stop after 30 minutes count down.

Treadmill will stop after  $\pm 30$  sec. no heart rate received.

## Goal Training

- There are 3 goal training programs respectively:  
Goal Distance, Goal Time, Goal Calories.

Press Goal Training button twice to open: Goal Time.  
Press Goal Training button three times to open: Goal Calories.

### Goal Distance

- Press Goal Training button once to open: Goal Distance.
- Display show distance "0.1" (KM) as the default or the latest set goal as it memorize the latest set distance as your preferred. Use "Plus or Minus" buttons to set your desired goal.  
± 0.1 KM            Range: 0.1 ~ 99.9 KM.  
Press and hold "Plus or Minus" button for fast adjustment ± 1.0 km.
- Press "Start" to start your workout.
- The workout will stop when set distance target is reached.

### Goal Time

- Press Goal Training button twice to open: Goal Time.
- Display show time "1" (Min) as the default, or the latest set goal as it memorize the latest set distance as your preferred.
- Use "Plus or Minus" buttons to set your desired goal.  
± 1 min.            Range: 1 ~ 99 min.  
Press and hold "Plus or Minus" button for fast adjustment ± 1 min.  
Press "Start" to start your workout.
- The workout will stop when set time target is reached.

### Goal Calories

- Press Goal Training button three times to open: Goal Calories.
- Display show calories "10" (K.Cal) as the default, or the latest set goal as it memorize the latest set distance as your preferred..
- Use "Plus or Minus" buttons to set your desired goal.  
± 1 K.Cal.            Range: 10 ~ 999 K. Cal.  
Press and hold "Plus or Minus" button ± 10 K.Cal.
- Press "Start" to start your workout.
- The workout will stop when set time target is reached.

### Backward walking

The Backward walking function sets the treadmill in a backwards motion. Therewith you can do a backwards walking exercise. You can also turn around and use this function to walk forward in a high incline setting.

- Press Backward Walking button to select Backward Walking mode program.
- Press "Start" to start your workout.
- Treadmill will start at the speed of 0.1 KM/H in a backwards direction
- "Speed/ Sled" Plus or Minus buttons can be use to change the workout speed at any time.  
± 0.1 KM/H            Range: 0.1 ~ 2.5 KM/H.
- The workout will stop when user stops the workout manually.

### Bluetooth & APP

- This console can connect with an APP on a smart device by Bluetooth (iOS & Android).
- Establish the Bluetooth connection only via the connection mode on the installed APP on your smart device.

#### NOTE

- Tunturi only provides the option to connect your fitness console throughout a bluetooth connection. Therefore Tunturi cannot be held responsible for damage, or malfunctioning of products other than Tunturi products.
- Check the website for extra information.

## Cleaning and maintenance

---

### WARNING

- Your trainer requires monthly maintenance, even when not being used.
- Before cleaning and maintenance, remove the mains plug from the wall socket.
- Do not use solvents to clean the equipment.

- Do not block the ventilation openings. Keep the ventilation openings clear from dust, dirt and other obstructions.
- Clean the equipment with a soft, absorbent cloth after each use.
- Clean the visible parts of the equipment with a vacuum cleaner with a small suction nozzle
- Regularly check that all screws and nuts are tight.

### CAUTION

- We recommend to use indoor shoes only on your treadmill. When you don't have these we do recommend to check the soles of your footwear before using them on your treadmill. The treadmill is not sustainable for dirt from outdoors.

### General Cleaning

Dirt, dust, and pet hair can block air inlets and accumulate on the running belt. On a monthly basis: vacuum underneath your treadmill to prevent build-up.

UNPLUG POWER CORD BEFORE THIS TASK.

### Belt Dust

This occurs during normal break-in or until the belt stabilizes. Wiping off excess dust with a damp cloth will minimize build-up.

### Belt and Running Deck

Your treadmill uses a very high-efficient low-friction bed. Performance is maximized when the running deck is kept clean and free from dust and dirt. Dirt and dust particles between running deck and running belt will damage your running deck surface affecting your performance and product lifetime.

### How to clean running deck

Use a soft, dry, non-abrasive cloth to wipe the edge of the belt and the area between the belt edge and frame. try to reach under the running belt edges too, to remove the dirt build up on the edges too.

### How to clean running belt surface

Firstly use a nylon scrub brush to remove the loose particles from the running belt surface. Than use wrung out damp cloth (no cleaners or abrasives) to gentle clean the top of the textured belt. Allow the belt to fully dry before using.

### NOTE

- When your belt too dirty to clean with water only, you can use a mild soap, but never a lubricant solvent.
- Prevent that the solution comes between running deck and running belt at all times.

This should be done on a regular basis to extend belt and running deck life.

**Lubrication (Fig. F-6)** **NOTE**

- The Treadmill running belt is pre lubricated before fitting on your treadmill during the production of the unit. Therefore it is not needed to lubricate the running belt when taken into use for the first time.

The running belt must be checked for lubrication condition regularly. Therefore the treadmill comes with a 300 hours reminder function. The display will show "OIL" or "Lubrication" and will make an acoustic beeping as a notification.

Follow the below checking procedure and eliminate the "OIL" message.

- Pull out the Safety Key
- Press and hold the Speed Quick key "18" for at least 5 seconds.
- Press "Enter" 3 times, to clear the hour counter and reset the 300 hours counter timer.

 **WARNING**

- Before lubrication, remove the mains plug from the wall socket.

 **CAUTION**

- We recommend to check the running belt lubrication at least once every month, as more factors than time can be effective to the lubricant conditions.
  - Only lubricate the running belt if necessary. If you apply too much lubricant, the running belt will slip easily due to lack of friction.
- Stand steadily on the running belt.
  - Take hold of the front handlebar and push the running belt with your feet so that it slides back and forth. The running belt must move smoothly and evenly without making sound.
  - If the running belt does not move smoothly and evenly or if the running belt does not move at all, touch the underside of the running belt with your fingertips to check the lubrication:
    - If you feel lubrication or your fingertips are shiny, there is sufficient lubrication on the running belt.
    - If you do not feel lubrication or your fingertips are dusty or rough, apply lubricant ( $\pm 10$  ml.) in the middle of the running deck under the running belt and let the equipment operate at 5km/h for at least 5 minutes.
    - After lubrication, do not fold the equipment before having done a workout for 2 minutes with a speed of at least 5 km/h. This will cause the lubricant being fully absorbed by the running belt and being spread evenly.

 **NOTE**

- When 5 km/h is too fast for you, do walk at your desired speed, but extend the duration to at least 5 minutes.



Click to see our supportive YouTube video  
<https://youtu.be/ceaOYnofY5k>

**Belt adjustments**

The performance of your treadmill is dependent on the frame running on a reasonably level surface. If the frame is not level, the front and back roller cannot run parallel, and constant belt adjustment may be necessary.

The treadmill is designed to keep the running belt reasonably centred while in use. It is normal for some belts to drift near one side while the belt is running with no one on it. After a few minutes of use, the running belt should have a tendency to centre itself. If, during use, the belt continues to move toward one side, adjustments are necessary.

**EXCEPTION**

During rehabilitation where the user is using one leg much stronger than the other, it might happen that the running belt drifts to one side. In these cases you should not adjust unless the running belt does not centre itself during normal condition usage.

**Belt tension adjustment**

Adjustment must be made from the rear roller. The adjustment bolts are located at the end of the step rails in the end caps.

- Tighten the rear roller bolts (clockwise) only enough to prevent slippage at the front roller. Turn both running belt tension adjustment bolts in increments of 1/4 turn each and inspect for proper tension by walking on the belt at a low speed, making sure the belt does not slip. Keep tensioning the bolts until the belt stops slipping.
- If you feel the belt is tight enough, but it still slips, the problem may be a loose Motor drive belt under the front cover.
- Do Not Over-tighten  
Over tightening will cause belt damage and premature bearing failure.



Click to see our supportive YouTube video  
[https://youtu.be/pp4\\_4bL1MXo](https://youtu.be/pp4_4bL1MXo)

**Centre the running belt (fig. F-5)**

Centre the running belt is needed when your running belt is not tracking in the centre of your running surface. This is noticed easily when the gap between side landing and running belt is significantly bigger on one side compared to the other side.

This can be caused by a few reasons, such as:

**REASON 1**

You do a workout using one leg more powerful in push off during your workout. This causes the belt being pushed aside, but will correct automatically when let the running belt run unloaded for a few minutes.

**REASON 2**

Your treadmill is not levelled horizontally, where gravity pulls the running belt slowly to the lowest end of the treadmill. This must be corrected by levelling the treadmill correctly. as this cannot be solved by any other adjustment.

**REASON 3**

The running belt is not centred correctly between the front and rear roller drum. This needs be corrected by adjusting the running belt tracking as described below.

To adjust the running belt's tracking use the Allen key being provided with your treadmill.

- Set your treadmill at a speed of  $\pm 5$  km/h, not running on it.
- When the running belt is tracking to the right side.  
Turn the left-hand rear roller adjustment bold, located on the rear end in a socket in the rear roller cover, counter clockwise for 1/4 turn.
- When the running belt is tracking to the left side.  
Turn the right-hand rear roller adjustment bold, located on the rear end in a socket in the rear roller cover, counter clockwise for 1/4 turn.
- Await  $\pm 2$  minutes to give the running belt the time to respond to the adjustment before repeating the adjustment steps if needed to get to the desired result.

#### NOTE

- Remember, a small adjustment can make a big difference, so make the adjustments with small steps at the time.



Click to see our supportive YouTube video  
<https://youtu.be/qx5AvTv00J4>

The belt may require periodic tracking adjustment depending on use and walking/running characteristics. Some users will affect tracking differently. Expect to make adjustments as required to centre the tread-belt. Adjustments will become less of a maintenance concern as the belt is used. Proper belt tracking is an owner responsibility common with all treadmills.

#### NOTE

- Damage to the running belt because of incorrect running-belt adjustments is not covered by the products warranty.

## **Troubleshooting**

---

Despite continuous quality control, defects and malfunctions caused by individual components may occur in the equipment. In most cases it's unnecessary to take the whole device in for repair, as it's usually sufficient to replace the defective part.

If the equipment does not function properly during use, contact your Tunturi dealer immediately. Always give the model and serial number of your equipment. Please state also the nature of the problem, conditions of use and purchase date.

If you require spare parts, always give the model, serial number of your equipment and the spare part number for the part you need. The spare part list is at the back of this manual. Use only spare parts mentioned in the spare part list.

### **Error codes**

If the display shows an error code (marked with "E" + number), restart the equipment and check whether the display still shows the error code. If the display still shows the error code, immediately contact the dealer.

### **Oil / Lubrication**

OIL or Lubrication message being displayed is not an error code, it is a maintenance reminder. See section "Lubrication"

## **Cracking or wringing sound at low speed**

---

When the running belt makes a cracking/ wringing noise when you put your body weight on the running belt during workout, the belt lubrication must be checked and most likely some lubricant is required. This problem mostly happens in the "Limit speed" mode or "Backward walking", as in these modes the running belt operation speeds can be set below 0.5 km/h.

See section "Lubrication" for more details on how to check and apply the lubricant status of your running belt.

## **Transport and storage**

---

### WARNING

- Before cleaning and maintenance, remove the mains plug from the wall socket.
  - Carry and move the equipment with at least two persons.
  - Make sure that there are no other persons or objects under the equipment.
- Move the equipment as shown (fig. F7).
  - Remove the power cord before moving the treadmill to avoid the power cord being caught by the wheels and cause damage to the power cord or power plug insert.
  - The wheels under the treadmill are designed to transport the treadmill, but be aware the treadmill is extremely heavy.
  - Due to the treadmill's weight, it is recommended to transport over flat, sturdy and clean surfaces only, to avoid wheel damage.

## **Warranty**

---

### **Tunturi purchaser's warranty**

#### **Warranty terms**

The consumer is entitled to the applicable legal rights stated in the national legislation concerning the commerce of consumer goods. This warranty does not restrict these rights. The Purchaser's Warranty is only valid if the item is used in an environment approved by Tunturi New Fitness BV, and is maintained as instructed for that particular equipment. The product-specific approved environment and maintenance instructions are stated in the "user manual" of the product. The "user manual" can be downloaded from our website. <http://manuals.tunturi.com>

#### **Warranty conditions**

The warranty conditions commence from the date of purchase. Warranty conditions may vary per country, so please consult your local dealer for the warranty conditions.

#### **Warranty coverage**

Under no circumstances shall Tunturi New Fitness BV or the Tunturi Distributor be liable by virtue of this warranty or otherwise for any special, indirect, secondary or consequential damages of any nature arising out of any use or inability to use this equipment.

## Warranty limitations

This warranty covers manufacturing defects in the fitness equipment as originally packed by Tunturi New Fitness BV. The warranty shall apply only under conditions of normal, recommended use of the product as described in the Owner's Manual and providing that Tunturi New Fitness BV's instructions for installation, maintenance and use have been complied with. Neither Tunturi New Fitness BV's nor the Tunturi Distributors'

obligations apply to defects due to reasons beyond their control. The warranty applies only to the original purchaser and is valid only in countries where Tunturi New Fitness BV has an authorised importer. The warranty does not extend to fitness equipment or components that have been modified without the consent of Tunturi New Fitness BV. Defects resulting from normal wear, misuse, abuse, corrosion, or damage incurred during loading or transportation are not covered.

The warranty does not cover sounds or noises emitted during use where these do not substantially impede the use of the equipment and where they are not caused by a fault in the equipment.

The warranty does not cover defects arising from the failure to carry periodic maintenance as outlined within the Owner's Manual for the product. Furthermore, the warranty does not cover defects arising from usage and storage within an unsuitable environment as described within the Owner's Manual which should be indoors, dry, dust and grit free and within a temperature range of +15°C to +35°C. The warranty does not cover maintenance activities, such as cleaning, lubricating, and normal part adjustments, nor installation

procedures that customers can accomplish themselves, such as changing uncomplicated meters, pedals and other similar parts not requiring any dismantling/reassembling of the fitness equipment. Warranty repairs carried out by other than authorised Tunturi representatives are not covered. Failure to follow the instructions given in the Owner's Manual will invalidate the product's warranty.

## Technical data

Parameter	Unit of measurement	Value
Mains voltage	VAC	210~240
Mains frequency	HZ	50~60
Speed	Km/H	0.1~20.0
Incline	Step	0~15
Length	Cm	196.0
Width	Cm	88.0
Height	Cm	154.7
Weight	Kg	155.8
Max. user weight	Kb	150
HR. Receiver	Handgrip contact	Yes
Heartrate measurement available via:	5.3~ 5.4 Khz.	Yes
	BLE BT	Yes
	ANT+	No

### NOTE

- To learn the product dimensions and functional dimensions please review illustration G

## Declaration of the manufacturer

Tunturi New Fitness BV declares that the product is in conformity with the following standards and directives: EN-957- (SA), 2014/30/EU. The product therefore carries the CE label.

03-2023

Tunturi New Fitness BV  
Purmerweg 1  
1311 XE Almere  
The Netherlands

## Disclaimer

© 2023 Tunturi New Fitness BV  
All rights reserved.

- The product and the manual are subject to change.
- Specifications can be changed without further notice.
- Check our website for the latest user manual version.



## Deutsch

Diese deutsche Bedienungsanleitung ist eine Übersetzung des englischen Textes. Es können keine Rechte auf diese Übersetzung abgeleitet werden.

## Index

---

<b>Willkommen</b> .....	<b>40</b>
<b>Warnhinweise zur Sicherheit</b> .....	<b>41</b>
Elektrische Sicherheit .....	41
<b>Montageanleitungen</b> .....	<b>42</b>
Beschreibung Abbildung A .....	42
Beschreibung Abbildung B.....	42
Beschreibung Abbildung C .....	42
Beschreibung Abbildung D .....	42
Ziehen Muttern und Schrauben .....	42
Zusätzliche Informationen .....	42
Freier Trainingsbereich (Abb. D-0) .....	42
<b>Trainings</b> .....	<b>42</b>
Trainingsanleitung .....	43
Herzfrequenz .....	43
<b>Gebrauch</b> .....	<b>44</b>
Einstellen des Stützfußes .....	44
Core-bar (Kernbügel).....	44
Bungee-Widerstandsband.....	45
<b>Konsole (Abb E-1).....</b>	<b>45</b>
Schaltflächen.....	45
Spezifische Schlittenmodus-Funktionstasten .....	46
Spezifische Tastenfunktionen für den Limit-Modus .....	46
Spezifische Tastenfunktionen im Rückwärtsmodus.....	46
Erklärung der Anzeigeelemente .....	46
Erläuterung der akustischen Display-Signaltöne .....	47
USB-Funktion.....	47
<b>Bedienung der Konsole</b> .....	<b>47</b>
Schnellstart .....	47
Training beenden oder pausieren .....	47
<b>Schlitten-Programme</b> .....	<b>47</b>
Laufband Schlittenfunktion .....	47
Goal Distance (Zielentfernung) .....	47
Goal Time (Zeitziel).....	47
Manual (Manuell) .....	48
Custom (Benutzerdefiniert) .....	48
Krafttest.....	48
<b>Laufbandprogramme</b> .....	<b>48</b>
Limit-Modus.....	48
Programme P1-P5.....	49
Programme P6 - P10.....	49
User (Benutzer).....	49
HRC.....	50
Goal Training (Trainingsziel).....	50
Backward walking (Rückwärtsgehen) .....	50
Bluetooth & APP.....	50
<b>Reinigung und Wartung</b> .....	<b>50</b>
Allgemeine Reinigung .....	51
Gurt und Lauffläche.....	51
Schmierung (Abb. F-6).....	51
Gurteinstellungen.....	51

<b>Betriebs- störungen</b> .....	<b>52</b>
Fehlercodes .....	52
Oil / Lubrication.....	52
Cracking or wringing sound at low speed .....	52
<b>Transport und Lagerung</b> .....	<b>52</b>
<b>Garantie</b> .....	<b>53</b>
<b>Technische Daten</b> .....	<b>53</b>
<b>Herstellereklärung</b> .....	<b>53</b>
<b>Haftungsausschluss</b> .....	<b>53</b>

## Willkommen

---

Willkommen in der Welt von Tunturi!

Danke, dass Sie dieses Gerät von Tunturi erworben haben. Tunturi bietet eine breite Palette an Heim-Fitnessgeräten wie beispielsweise Crosstrainer, Laufbänder, Trainingsfahrräder, Rudergeräte, Kraftbänke und Multi-Stationen an. Die Tunturi Geräte sind für die ganze Familie geeignet - ganz egal, wie fit man ist. Weitere Informationen finden Sie auf unserer Website unter [www.tunturi.com](http://www.tunturi.com)

### Wichtige sicherheitshinweise

Dieses Handbuch ist ein wesentlicher Bestandteil Ihres Trainingsgerätes. Lesen Sie es bitte sorgfältig durch, bevor Sie Ihr Trainingsgerät montieren, mit ihm trainieren oder es warten. Bitte bewahren Sie dieses Handbuch auf; es wird Sie jetzt und zukünftig darüber informieren, wie Sie Ihr Gerät benutzen und warten. Befolgen Sie diese Anweisungen immer sorgfältig.



## Warnhinweise zur Sicherheit

### WARNUNG

- Lesen Sie die Warnhinweise zur Sicherheit und die Anweisungen. Werden die Warnhinweise zur Sicherheit und die Anweisungen nicht befolgt, kann dies zu Personenverletzungen und Schäden am Gerät führen. Bewahren Sie die Warnhinweise zur Sicherheit und die Anweisungen zur künftigen Bezugnahme auf.

### WARNUNG

- Herzfrequenz-Überwachungssysteme können ungenau sein.
  - Eine Überanstrengung kann zu schweren Schädigungen oder zum Tod führen. Wenn Sie sich schwach oder ohnmächtig fühlen, stellen Sie die Übungen unverzüglich ein.
- Das Gerät ist nur für den Heim- und gewerblichen Gebrauch (z.B. Krankenhäuser, Feuerwachen, Hotels, Schulen, usw.) geeignet.
  - Wenn dieses Gerät von Kindern oder Personen mit körperlicher, sensorischer, geistiger oder motorischer Behinderung verwendet wird, oder wenn nicht genügend Erfahrung und Kenntnisse vorhanden sind, kann dies zu Gefahrensituationen führen. Personen, die für deren Sicherheit verantwortlich sind, müssen klare Anweisungen geben oder den Gebrauch des Geräts beaufsichtigen.
  - Bevor Sie Ihr Training starten, nehmen Sie Kontakt mit einem Arzt auf, um Ihre Gesundheit kontrollieren zu lassen.
  - Falls Sie Übelkeit, ein Schwindelgefühl oder andere anormale Symptome verspüren, hören Sie unverzüglich mit Ihrem Training auf und wenden Sie sich an einen Arzt.
  - Um einen Muskelkater zu vermeiden, starten Sie jedes Training mit Aufwärmen und beenden Sie es mit Abkühlen. Denken Sie daran, sich am Ende des Trainings zu dehnen.
  - Das Gerät ist nur für den Gebrauch in geschlossenen Räumen geeignet. Das Gerät ist nicht für den Gebrauch im Freien geeignet.
  - Verwenden Sie das Gerät nur in Umgebungen mit ausreichender Belüftung. Verwenden Sie das Gerät nicht in zugiger Umgebung, damit Sie sich nicht erkälten.
  - Verwenden Sie das Gerät nur in Umgebungen mit Umgebungstemperaturen zwischen 10 °C~35 °C. Lagern Sie das Gerät nur in Umgebungen mit einer Umgebungstemperatur zwischen 5 °C~45 °C.
  - Verwenden und lagern Sie das Gerät nicht in feuchten Umgebungen. Die Luftfeuchtigkeit darf niemals 80% überschreiten.
  - Verwenden Sie das Gerät nur bestimmungsgemäß. Verwenden Sie das Gerät nicht für einen anderen als für den in diesem Handbuch beschriebenen Zweck.
  - Verwenden Sie das Gerät nicht, falls Teile beschädigt oder defekt sind. Ist ein Teil beschädigt oder defekt, wenden Sie sich an Ihren Händler.
  - Halten Sie Ihre Hände, Füße und andere Körperteile von den beweglichen Teilen fern.
  - Halten Sie Ihr Haar von den beweglichen Teilen fern.
  - Tragen Sie entsprechende Kleidung und Schuhe.
  - Halten Sie Kleidung, Schmuck und andere Gegenstände von den beweglichen Teilen fern.
  - Vergewissern Sie sich, dass das Gerät nur von einer Person auf einmal verwendet wird. Das Gerät darf nicht von Personen verwendet werden, deren Gewicht 150 kg (330 lbs) überschreitet.
  - Öffnen Sie das Gerät nicht, ohne vorher mit Ihrem Händler zu sprechen.

## Elektrische Sicherheit

(Betrifft nur elektrisch betriebene Geräte)

- Vergewissern Sie sich vor der Verwendung stets, dass die Netzspannung mit der Spannung auf dem Typenschild des Geräts übereinstimmt.
- Verwenden Sie kein Verlängerungskabel.
- Halten Sie das Netzkabel von Hitze, Öl und scharfen Kanten fern.
- Verändern Sie nichts am Netzkabel oder am Netzstecker.
- Verwenden Sie das Gerät nicht, falls das Netzkabel oder der Netzstecker beschädigt oder defekt ist. Ist das Netzkabel oder der Netzstecker beschädigt oder defekt, wenden Sie sich an Ihren Händler.
- Wickeln Sie das Netzkabel immer vollständig ab.
- Lassen Sie das Netzkabel nicht unter dem Gerät entlanglaufen. Lassen Sie das Netzkabel nicht unter einem Teppich entlanglaufen. Stellen Sie keine Gegenstände auf das Netzkabel.
- Vergewissern Sie sich, dass das Netzkabel nicht über der Kante eines Tisches hängt. Vergewissern Sie sich, dass niemand versehentlich über das Netzkabel stolpert.
- Lassen Sie das Gerät nicht unbeaufsichtigt, wenn der Netzstecker in die Wandsteckdose eingesteckt ist.
- Ziehen Sie nicht am Netzkabel, um den Netzstecker aus der Wandsteckdose zu ziehen.
- Ziehen Sie den Netzstecker aus der Wandsteckdose, wenn das Gerät nicht verwendet wird, bevor es zusammengebaut oder zerlegt wird sowie vor der Reinigung und Wartung.

### WARNUNG

- Schwankungen in der Netzspannung von mehr als 10 Prozent können zu Fehlfunktionen des Gerätes führen und die Elektronik beschädigen. Die Leistungsaufnahme kann maximal 15 A betragen. Die Garantie erlischt, wenn das Gerät nicht diesen Anleitungen entsprechend angeschlossen wird

### WARNUNG

- Führen Sie das Stromkabel abseits aller beweglichen Teile des Laufbands, einschließlich des Hebe mechanisms und der Transporträder.

## Erdungsanweisungen

Dieses Produkt muss geerdet werden. Wenn das Elektrosystem des Laufbands nicht funktioniert oder ausfällt, ist die Erdung der letzte Widerstand für Stromspannung, wodurch Stromschläge vermieden werden. Dieses Produkt hat eine Kabel mit einem Erdungsstecker. Der Stecker muss in eine geeignete Dose gesteckt werden, die richtig gemäß aller örtlichen Bestimmungen und Verordnungen installiert und geerdet ist.

### WARNUNG

- Ein ungeeigneter Erdungsanschluss des Geräts kann zu Stromschlägen führen. Überprüfen Sie zusammen mit einem qualifizierten Elektriker oder Servicemitarbeiter in Zweifelsfällen, ob das Gerät richtig geerdet ist. Nehmen Sie am Stecker, der mit dem Produkt geliefert wurde, keine Veränderungen vor, wenn dieser nicht in die Steckdose passt; lassen Sie von einem qualifizierten Elektriker eine passende Steckdose installieren.

## Montageanleitungen

---

### Beschreibung Abbildung A

Die Abbildung zeigt, wie das Gerät nach der Montage aussehen wird. Sie können diese bei der Montage als Referenz verwenden, befolgen Sie die Montageschritte aber immer in der richtigen Reihenfolge, wie in den Abbildungen gezeigt.

### Beschreibung Abbildung B

Die Abbildung zeigt, welche Komponenten und Teile in der Lieferung enthalten sein sollen.

#### HINWEIS

- Kleinteile können in Hohlräumen im Styropor-Produktschutz versteckt/verpackt werden
- Fehlt ein Teil, wenden Sie sich an Ihren Händler.

### Beschreibung Abbildung C

Die Abbildung zeigt den Zubehörsatz, der mit Ihrem Produkt geliefert wird. Er enthält Schrauben, Unterlegscheiben, Muttern usw. sowie die erforderlichen Werkzeuge zur ordnungsgemäßen Montage Ihres Trainers.

### Beschreibung Abbildung D

Die Abbildungen zeigen Ihnen in der richtigen Reihenfolge, wie Sie Ihren Trainer am besten montieren.

#### HINWEIS

- Die in den Montageschritten angegebenen Teilenummern beginnen mit der Ersatzteilzeichnung, die Sie in der Online-Vollversion des Benutzerhandbuchs finden.

#### WARNUNG

- Bauen Sie das Gerät in der angegebenen Reihenfolge zusammen.
- Tragen und bewegen Sie das Gerät mit mindestens zwei Personen.

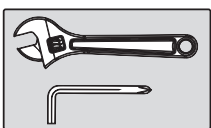
#### VORSICHT

- Stellen Sie das Gerät auf festen, ebenen Boden.
- Stellen Sie das Gerät auf eine schützende Unterlage, um Schäden am Bodenbelag zu vermeiden.
- Sorgen Sie rund um das Gerät für einen Freiraum von mindestens 100 cm.
- Der richtige Zusammenbau des Geräts geht aus den Abbildungen hervor.

#### HINWEIS

- Heben Sie die Werkzeuge für künftige Zwecke auf, die zu diesem Produkt geliefert wurden, wenn Sie die Montage beendet haben.

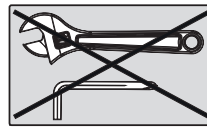
### Ziehen Muttern und Schrauben



Ziehen Sie die Muttern und Schrauben fest an, nachdem alle Komponenten im aktuellen und in den vorherigen Schritten montiert wurden.

#### HINWEIS

- Ziehen Sie Komponenten mit Drehfunktion nicht zu fest an.
- Vergewissern Sie sich, dass sich alle Drehkomponenten frei drehen können.



Ziehen Sie nicht alle Muttern und Schrauben in diesem Schritt fest.

### Zusätzliche Informationen

#### Verpackungsentsorgung

Staatliche Vorschriften sagen, dass wir die in Deponien entsorgen Abfallmengen verringern sollen. Daher bitten wir Sie, den gesamten Verpackungsabfall an öffentlichen Recyclingstellen abzugeben

#### Entsorgung am ende der Lebensdauer

Wir bei Tunturi hoffen, dass Sie Ihren Fitnesstrainer viele Jahre mit Freude nutzen werden. Jedoch wird irgendwann die Zeit kommen, wenn die Ende der Nutzungsdauer des Fitnesstrainers erreicht ist. Gemäß den europäischen WEEE-Gesetzen sind Sie für eine geeignete Entsorgung des Fitnesstrainers bei einer anerkannten öffentlichen Entsorgungsstelle verantwortlich.

### Freier Trainingsbereich (Abb. D-0)

#### Vorderseite des Geräts

Lassen Sie vor dem Gerät einen Abstand von mindestens 30 cm.

- Die freie Trainingsfläche für diesen Bereich kann mit anderen Geräten der gleichen Art geteilt werden, wenn sie einander gegenüberstehen.

#### Seite des Geräts

Lassen Sie auf jeder Seite des Geräts mindestens 60 cm Platz.

- Dieser freie Bereich kann mit anderen Geräten der gleichen Art geteilt werden, wenn sie einander gegenüberstehen.

#### Rückseite des Geräts

Lassen Sie hinter dem Gerät mindestens 200 cm Platz.

- Die freie Trainingsfläche für diesen Bereich kann nicht mit anderen Geräten der gleichen Art geteilt werden, der zusätzlich benötigte Freiraum hängt von der Ausrichtung der beiden Geräte ab und sollte die Summe beider Werte sein.

## Trainings

---

Das Training muss leicht und geeignet, aber von langer Dauer sein. Aerobic-Übungen basieren auf der Verbesserung der maximalen Sauerstoffaufnahme des Körpers, was wiederum die Ausdauer und Fitness verbessert. Sie sollten während des Trainings zwar ins Schwitzen, aber nicht außer Atem kommen.

Um eine Basisfitness zu erreichen und zu halten, üben Sie mindestens drei mal pro Woche 30 Minuten lang an einem Stück. Erhöhen Sie die Anzahl der Übungssitzungen, um Ihre Fitness zu verbessern. Es lohnt sich, die regelmäßigen Übungen mit einer gesunden Diät zu kombinieren. Personen, die Diät machen, sollten täglich zuerst 30 Minuten oder weniger an einem Stück üben und die tägliche Trainingszeit allmählich auf eine Stunde verlängern. Beginnen Sie Ihr Training mit niedriger Geschwindigkeit und geringem Widerstand, um zu vermeiden, dass das Herzkreislaufsystem einer übermäßigen Belastung ausgesetzt wird. Mit sich verbessernder Fitness können Geschwindigkeit und Widerstand allmählich erhöht werden. Die Wirksamkeit Ihrer Übungen kann durch Überwachung der Herzfrequenz und Ihrer Pulsfrequenz gemessen werden.

## Trainingsanleitung

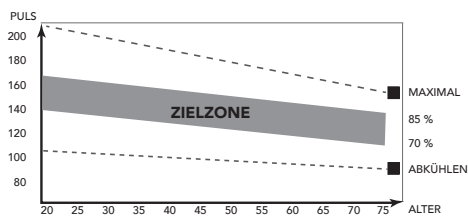
Die Verwendung des Fitnesstrainers wird Ihnen viele Vorteile bieten: Er verbessert Ihre körperliche Fitness, formt die Muskeln und hilft Ihnen, in Verbindung mit einer kalorienreduzierten Diät, Gewicht zu verlieren.

### Die Aufwärm-Phase

Der Blutkreislauf wird angeregt und die Muskelfunktionen werden unterstützt. Außerdem wird das Risiko von Krämpfen und Muskelverletzungen gesenkt. Sie sollten, wie unten angezeigt, einige Dehnungsübungen machen. Sie sollten weder die Dehnungsbewegung erzwingen noch die Muskeln dabei ruckweise bewegen - wenn Sie Schmerzen haben, sollten Sie AUFHÖREN.

### Die Trainings-Phase

In dieser Phase strengen Sie sich an. Nach regelmäßiger Verwendung werden die Muskeln in Ihren Beinen beweglicher. In dieser Phase ist es sehr wichtig, immer ein gleichmäßiges Tempo beizubehalten. Die Anstrengung sollte ausreichen, um Ihren Herzschlag bis in die Zielzone zu erhöhen, die im folgenden Diagramm dargestellt ist.



Diese Phase sollte mindestens 12 Minuten dauern; die meisten Menschen beginnen mit ca. 15 bis 20 Minuten.

### Die Abkühlungs-Phase

Sie dient der Entspannung Ihres Herz-Kreislaufsystems und Ihrer Muskeln. Dabei werden die Aufwärmübungen wiederholt, reduzieren Sie zum Beispiel Ihr Tempo und machen Sie ca. 5 Minuten weiter. Jetzt sollten die Dehnübungen wiederholt werden. Denken Sie wiederum daran, weder die Dehnungsbewegung zu erzwingen noch die Muskeln dabei ruckweise zu bewegen. Wenn Sie fitter werden, kann es sein, dass Sie länger und härter trainieren müssen. Sie sollten mindestens drei Mal die Woche trainieren und, falls möglich, Ihre Trainingseinheiten gleichmäßig über die Woche verteilen.

### Muskelformung

Um Ihre Muskeln beim Training auf dem Fitnesstrainer zu formen, müssen Sie den Widerstand ziemlich hoch einstellen. Dadurch werden die Beinmuskeln mehr angestrengt und Sie können möglicherweise nicht so lange trainieren, wie Sie möchten. Wenn Sie außerdem Ihre Fitness verbessern möchten, müssen Sie Ihr Trainingsprogramm ändern. Sie sollten in den Aufwärm- und Abkühlphasen normal trainieren, jedoch gegen Ende der Trainingsphase den Widerstand erhöhen, damit Ihre Beine härter arbeiten müssen. Sie müssen die Geschwindigkeit verringern, damit Ihre Herzfrequenz in der Zielzone bleibt.

### Gewichtsabnahme

Der wichtige Faktor ist, wie sehr Sie sich anstrengen. Je härter und je länger Sie trainieren, desto mehr Kalorien verbrennen Sie. Dies ist im Grunde dasselbe, wie wenn zur Verbesserung Ihrer Fitness trainieren, nur das Ziel ist ein anderes.

## Herzfrequenz

### Pulsfrequenzmessung (Handpulssensoren)

Die Pulsfrequenz wird durch Sensoren in den Handgriffen gemessen, wenn der Nutzer beide Sensoren gleichzeitig anfasst. Für eine genaue Pulsfrequenzmessung ist es erforderlich, dass die Haut etwas feucht ist und die Handpulssensoren konstant berührt werden. Ist die Haut zu trocken oder zu feucht, wird die Pulsfrequenzmessung weniger genau.

#### ⚠ HINWEIS

- Verwenden Sie die Handpulssensoren nicht in Kombination mit einem Herzfrequenz-Brustgürtel.
- Wenn Sie sich einen Herzfrequenz-Grenzwert für Ihr Training setzen, ertönt beim Überschreiten ein Signal.

### Herzfrequenzmessung (Herzfrequenz-Brustgürtel)

#### ⚠ HINWEIS

- Ein Herzfrequenz-Brustgürtel gehört bei diesem Trainer nicht zum Standard. Wenn Sie einen drahtlosen Brustgürtel verwenden möchten, müssen Sie diesen als Zubehör erwerben.

Die genaueste Herzfrequenzmessung lässt sich mit einem Herzfrequenz-Brustgürtel erzielen. Die Herzfrequenz wird mit einem Herzfrequenzempfänger in Kombination mit einem Herzfrequenz-Sendegürtel gemessen. Für eine genaue Herzfrequenzmessung ist es erforderlich, dass die Elektroden am Sender etwas feucht sind und die Haut konstant berühren. Sind die Elektroden zu trocken oder zu feucht, wird die Herzfrequenzmessung weniger genau.

#### ⚠ WARNUNG

- Falls Sie einen Schrittmacher haben, wenden Sie sich zunächst an einen Arzt, bevor Sie einen Herzfrequenz-Brustgürtel verwenden.

#### ⚠ VORSICHT

- Falls sich mehrere Herzfrequenz-Messgeräte in gegenseitiger Nähe befinden, vergewissern Sie sich, dass der Abstand zwischen ihnen mindestens 1,5 Meter beträgt.
- Falls nur ein Herzfrequenzempfänger und mehrere Herzfrequenzsender vorhanden sind, vergewissern Sie sich, dass nur eine Person mit einem Sender in Sendereichweite ist.

#### ⚠ HINWEIS

- Verwenden Sie keinen Herzfrequenz-Brustgürtel in Kombination mit den Handpulssensoren.
- Tragen Sie den Herzfrequenz-Brustgürtel stets mit direktem Hautkontakt unter Ihrer Kleidung. Tragen Sie den Herzfrequenz-Brustgürtel nicht auf Ihrer Kleidung. Falls Sie den Herzfrequenz-Brustgürtel auf Ihrer Kleidung tragen, gibt es kein Signal.
- Wenn Sie sich einen Herzfrequenz-Grenzwert für Ihr Training setzen, ertönt beim Überschreiten ein Signal.
- Der Sender überträgt die Herzfrequenz in einem Abstand bis zu 1 Meter zur Konsole. Sind die Elektroden nicht feucht, erscheint die Herzfrequenz nicht auf der Anzeige.
- Einige Fasern in der Kleidung (z.B. Polyester, Polyamid) erzeugen statische Elektrizität, die eine genaue Herzfrequenzmessung verhindern kann.
- Mobiltelefone, Fernsehgeräte und andere Elektrogeräte erzeugen ein elektromagnetisches Feld, das eine genaue Herzfrequenzmessung verhindern kann.

### Maximale Herzfrequenz (während des Trainings)

Die maximale Herzfrequenz ist die höchste Herzfrequenz, die eine Person durch Übungsbelastung sicher erzielen kann. Folgende Formel wird zur Berechnung der durchschnittlichen maximalen Herzfrequenz verwendet:  $220 - \text{ALTER}$ . Die maximale Herzfrequenz variiert von Person zu Person.

**⚠️ WARNUNG**

- Stellen Sie sicher, dass Sie während des Trainings Ihre maximale Herzfrequenz nicht überschreiten. Falls Sie einer Risikogruppe angehören, wenden Sie sich an einen Arzt.

**Anfänger****50-60% der maximalen Herzfrequenz**

Geeignet für Anfänger, Gewicht- Beobachter, Genesende und Personen, die schon lange nicht mehr trainiert haben. Trainieren Sie mindestens dreimal pro Woche 30 Minuten an einem Stück.

**Fortgeschritten****60-70% der maximalen Herzfrequenz**

Geeignet für Personen, die ihre Fitness verbessern und halten wollen. Trainieren Sie mindestens dreimal pro Woche 30 Minuten an einem Stück.

**Experte****70-80% der maximalen Herzfrequenz**

Geeignet für die fittesten Personen, die sich an lange Ausdauertrainings gewöhnt haben.

**Gebrauch****Hauptschalter (Abb. E-2A)**

Das Gerät ist mit einem Hauptschalter ausgestattet, mit dem es komplett abgeschaltet werden kann.

**Um das Gerät zu starten:**

- Stecken Sie den Netzstecker in das Gerät.
- Stecken Sie den Netzstecker in die Wandsteckdose.
- Schalten Sie den Hauptschalter ein (ON).

**Um das Gerät zu stoppen:**

- Schalten Sie den Netzschalter aus (OFF).
- Ziehen Sie den Netzstecker aus der Wandsteckdose.
- Ziehen Sie den Netzstecker aus dem Gerät.

**Sicherheitsschlüssel (Abb. F-4)**

Das Gerät ist mit einem Sicherheitsschlüssel ausgestattet, der ordnungsgemäß in die Konsole eingeführt werden muss, um das Gerät zu starten. Wenn Ihr Sicherheitsschlüssel teilweise herausgezogen wird, aktiviert er den Notfallmodus und bewirkt, dass das Gerät sofort gestoppt wird.

Der Sicherheitsschlüssel wird auch aus der Position geschoben, wenn die rote Nottaste gedrückt wird.

- Führen Sie den Sicherheitsschlüssel in den Schlitz in der Konsole ein, indem Sie ihn nach innen drücken.
- Vergewissern Sie sich, dass der Clip des Sicherheitsschlüssels richtig an Ihrer Kleidung befestigt ist.

Vergewissern Sie sich, dass der an Ihrer Kleidung befestigte Clip fest genug sitzt damit er den Sicherheitsschlüssel bei Bedarf herausziehen kann.

**🔔 HINWEIS**

- In der Konsole wird ein Lauftext angezeigt: "PUT THE SAFETY KEY ON" (Sicherheitsschlüssel einschalten) und zeigt vertikale Bildlaufzeilen auf dem Hauptbildschirm an, wenn sich der Sicherheitsschlüssel nicht in der (richtigen) Position befindet.

**Schutzschalter (Abb. E-2B)**

Das Gerät ist mit einem Schutzschalter ausgestattet, der den Strom unterbricht, wenn die elektrische Last die maximale Kapazität überschreitet. Tritt dies ein, muss der Schutzschalter gedrückt werden.

**⚠️ WARNUNG**

- Ziehen Sie vor dem Drücken des Schutzschalters den Netzstecker aus dem Gerät.

Schaltet das Gerät ab, gehen Sie wie folgt vor, um das Gerät neu zu starten:

- Ziehen Sie den Netzstecker aus dem Gerät.
- Drücken Sie den Schutzschalter, um das Gerät neu zu starten.
- Stecken Sie den Netzstecker in das Gerät.

**🔔 HINWEIS**

- Einige Schutzschalter in Gebäuden sind nicht auf hohen Einschaltstrom ausgelegt, der beim ersten Einschalten des Laufbands oder auch bei normaler Verwendung vorkommen kann. Wenn Ihr Laufband den Schutzschalter auslöst (auch wenn die Spannung korrekt ist und das Laufband das einzige Gerät im Stromkreis ist), aber der Schutzschalter im Laufband selbst nicht ausgelöst wird, müssen Sie den Schalter durch einen für hohen Einschaltstrom ersetzen. Dies ist nicht Teil der Garantieleistungen. Diese Bedingungen können vom Hersteller nicht beeinflusst werden.

**Einstellen des Stützfußes**

Das Gerät ist mit einstellbaren Stützfüßen ausgestattet.

Wenn sich das Gerät instabil, wackelig oder nicht gut nivelliert anfühlt, können diese Stützfüße eingestellt werden, um die erforderlichen Korrekturen vorzunehmen.

- Drehen Sie die Stützfüße nach Bedarf ein/aus, um das Gerät in eine stabile und möglichst waagerechte Position zu bringen.
- Ziehen Sie die Kontermuttern\* an, um die Stützfüße zu arretieren.

**💡 SCHNELL-TIPP**

- Es ist einfacher, dies mit zwei Personen zu tun, so dass eine Person das Gerät kippen kann, während die andere die erforderliche Einstellung vornimmt.

**🔔 HINWEIS**

- Das Gerät ist am stabilsten, wenn es so niedrig wie möglich auf dem Boden steht. Beginnen Sie daher mit der Nivellierung des Geräts, indem Sie alle Stützfüße ganz hineindreihen, bevor Sie die erforderlichen Stützfüße zur Stabilisierung und Nivellierung des Geräts herausdrehen.

**Core-bar (Kernbügel)**

Der Kernbügel sollte für die Laufband-/Lauffunktion in die Aufbewahrungsposition und für die Schlittenfunktionen in den Funktionsmodus gestellt werden.

**Befestigen Sie den Kernbügel vor dem Laufen (Abb. F-1)****🔔 HINWEIS**

- Lösen Sie zuerst die zusätzlichen Bungee-Widerstandsbänder, bevor Sie den Kernbügel in die Aufbewahrungsposition bringen, indem Sie sie aus dem Kernbügel aushaken.
  - Ziehen Sie den Einstellknopf hoch und drehen Sie ihn gegen den Uhrzeigersinn, bis sich der Knopf automatisch nach unten bewegt.
  - Stellen Sie sich auf die Seitenschiene und schieben Sie den Kernbügel nach vorne, bis der Einstellknopf den Kernbügel verriegelt, indem er ganz nach unten fällt.
- Es erfordert mittlere Kraft, den Kernbügel nach vorne zu schieben.

**Lösen Sie den Kernbügel für die Schlittenfunktion (Abb. F-2)** **HINWEIS**

- Vergewissern Sie sich, dass der Kernbügel frei von Zubehör ist, bevor Sie ihn lösen.
- Ziehen Sie den Einstellknopf nach oben und drehen Sie ihn im Uhrzeigersinn, um ihn in der angehobenen Position zu halten.
- Der Kernbügel bewegt sich automatisch in die Betriebsposition, indem er sich nach hinten bewegt.

**Bungee-Widerstandsband**

Die Bungee-Widerstandsbänder können verwendet werden, um den Widerstand des Kernbügels in den Schlittenfunktionen zu erhöhen. Hängen Sie einfach eines oder beide Bungee-Widerstandsbänder an der Unterseite des Kernbügels ein, um den Widerstand nach Wunsch zu erhöhen. (Abb. F-3)

**Konsole (Abb E-1)** **VORSICHT**

- Halten Sie die Konsole von direkter Sonneneinstrahlung fern.
- Trocknen Sie die Oberfläche der Konsole, wenn Sie mit Schweißtropfen bedeckt ist.
- Lehnen Sie sich nicht auf die Konsole.
- Berühren Sie die Anzeige nur mit Ihrer Fingerspitze. Vergewissern Sie sich, dass Ihre Nägel oder andere scharfe Gegenstände die Anzeige nicht berühren.

 **HINWEIS**

- Die Konsole schaltet in den Standby-Modus, wenn das Gerät 4 Minuten lang nicht verwendet wird.

**Schaltflächen****Siehe (Abb. E-1)** **ACHTUNG**

- Einige Tasten haben je nach Funktionseinstellung des Laufbandes unterschiedliche Funktionen.
- Die Informationen zur Funktion der Haupttaste beziehen sich auf Funktionen, wenn sich das Laufband im normalen Betriebsmodus befindet.
- Tasten mit unterschiedlichen Funktionen in anderen Funktionsmodi werden in den Abschnitten separat erwähnt:
  - Spezifische Tastenfunktionen im Schlittenmodus.
  - Spezifische Tastenfunktionen im Geschwindigkeitsmodus.
  - Spezifische Tastenfunktionen im Rückwärtsmodus.

**Emergency (Notfall)**

- Durch Drücken der roten Notfalltaste wird der Notstopp aktiviert, wodurch die Laufbandbewegung umgehend gestoppt wird.
- Wenn Sie die Notfalltaste drücken, springt der Sicherheitsschlüssel ein wenig heraus, so dass ein versehentlicher Neustart des Laufbands vermieden wird.
- Drücken Sie den Sicherheitsschlüssel wieder vollständig in seinen Schlitz, um den Not-Aus-Modus zu deaktivieren.

**Enter (Eingabe)**

Bestätigen Sie die eingestellten Daten im Programmiermodus.

**Minus**

Verringern Sie den Wert im Programmiermodus.

**Plus**

Erhöhen Sie den Wert im Programmiermodus.

**Start**

Drücken Sie im Stoppmodus die Taste, um das Training zu starten.  
Drücken Sie im Pausenmodus die Taste, um das Training fortzusetzen.

**Return (Zurück)**

Drücken Sie die Taste, um zum Einstellungs Menü zurückzukehren.

**Stop/Pause**

Im Trainingsmodus drücken, um das Laufband in den Pausenmodus zu versetzen.

Im Pausenmodus drücken, um das Laufband in den Stoppmodus zu versetzen.

**Schnellwahltasten für Schlittenprogramme**

Drücken Sie im Stoppmodus die Taste, um ein Schlittenprogramm auszuwählen und das zugehörige Einstellungs Menü zu öffnen. Schlittenprogramme sind: Goal Distance, Goal Time, Manual, Custom, Strength Test (Zielentfernung, Zielzeit, Manuell, Benutzerdefiniert, Krafttest)

**Schnellwahltasten für Laufbandprogramme**

Drücken Sie im Stoppmodus die Taste, um ein Laufbandprogramm auszuwählen und das zugehörige Einstellungs Menü zu öffnen. Laufbandprogramme sind: Limit-Modus, P1-P5, P6-P10, User (Benutzer), HRC, Goal Training (Zieltraining), Backward walking (Rückwärtsgehen)

**Linke Lenkertasten - Stop**

Die Funktion ist dieselbe wie bei der Taste "Stop/Pause" auf der Haupttastatur.

**Linke Lenkertasten - Steigung Minus**

- Senkt die Steigung (0 ~ 15 -1)
- Ändert Werte im Programmiermodus.

**Linke Lenkertasten - Steigung Plus**

- Erhöht die Steigung (0 ~ 15 +1).
- Ändert Werte im Programmiermodus.

**Linke Lenkertasten - Steigung Schnellwahltasten**

- Die Schnellwahltasten sind auf 2, 4, 6, 8, 10, 12 eingestellt.
- Zum Beispiel, wenn das Laufband im Laufbandmodus verwendet wird. So ändert sich zum Beispiel eine beliebige Steigung auf 6, wenn Sie die Schnellwahltaste 6 drücken.

**Rechter Lenker Geschwindigkeit/Sled (Schlitten) - Start**

Die Funktion ist dieselbe wie bei der "Start"-Taste auf der Haupttastatur.

**Rechter Lenker Geschwindigkeit/Sled (Schlitten) - Minus**

- Verringert die Geschwindigkeit (0,5 bis 20,0 km/h).
- Bei einmaligem Drücken verringert sich die Geschwindigkeit um 0,1 km/h.
- Die Geschwindigkeit wird schneller verringert, wenn die Taste zwei Sekunden gedrückt gehalten wird.
- Ändert Werte im Programmiermodus.

**Rechter Lenker Speed/Sled (Schlitten) - Plus**

- Erhöht die Geschwindigkeit (0,5 bis 20 km/h).
- Bei einmaligem Drücken erhöht sich die Geschwindigkeit um 0,1 km/h.
- Die Geschwindigkeit wird schneller erhöht, wenn die Taste zwei Sekunden lang gedrückt wird.
- Ändert Werte im Programmiermodus.

### Rechter Lenker Speed/Sled (Schlitten) - Schnellwahltaste

- Die Tasten "Speed/Sled" sind auf 3, 6, 9, 12, 15, 18 eingestellt.
- Ein Beispiel ist die Nutzung des Laufbands im Laufbandmodus. So ändert sich zum Beispiel eine beliebige Geschwindigkeit auf 9 km/h, wenn Sie die Schnellwahltaste 9 drücken.

### Spezifische Schlittenmodus-Funktionstasten

#### Lenker Speed/Sled - Minus

- Verringert den Widerstand des Schlittens (1 ~ 100%).
- Durch einmaliges Drücken wird der Widerstand um 1 % verringert.
- Der Widerstand wird schneller verringert, wenn die Taste zwei Sekunden gedrückt wird.
- Blättern Sie durch die Programme und ändern Sie die Werte im Programmiermodus.

#### Lenker Speed/Sled - Plus

- Erhöht den Schlittenwiderstand (1 ~ 100%).
- Durch einmaliges Drücken wird der Widerstand um 1 % erhöht.
- Der Widerstand wird schneller erhöht, wenn die Taste zwei Sekunden lang gedrückt wird.
- Blättern Sie durch die Programme und ändern Sie die Werte im Programmiermodus.

#### Lenker Speed/Sled - Schnellwahltasten

Wenn das Laufband auf die Funktion Schlittenmodus eingestellt ist, sind die Schnellwahltasten wie folgt programmiert:

Schnellwahltaste 3	15 %	Schnellwahltaste 12	60 %
Schnellwahltaste 6	30 %	Schnellwahltaste 15	75 %
Schnellwahltaste 9	45 %	Schnellwahltaste 18	90 %

- Beim Drücken einer Schnellwahltaste wird der Widerstand sofort auf den Anfangswiderstand eingestellt.
- Beispiel: Wenn das Laufband im Schlittenmodus benutzt und die Taste 9 gedrückt wird, ändert sich der Widerstand direkt auf 45 %.

### Spezifische Tastenfunktionen für den Limit-Modus

#### Lenker Speed/Sled - Minus

- Verringert die Geschwindigkeit (0,1 bis 2,5 km/h).
- Bei einmaligem Drücken verringert sich die Geschwindigkeit um 0,1 km/h.
- Die Geschwindigkeit wird schneller verringert, wenn die Taste zwei Sekunden gedrückt wird.

#### Lenker Speed/Sled - Plus

- Erhöhen Sie die Geschwindigkeit (0,1 ~ 2,5 km/h).
- Bei einmaligem Drücken erhöht sich die Geschwindigkeit um 0,1 km/h.
- Die Geschwindigkeit wird schneller erhöht, wenn die Taste zwei Sekunden lang gedrückt gehalten wird.

#### Lenker Speed/Sled - Schnellwahltasten

Wenn das Laufband in den Geschwindigkeitsbegrenzungsmodus geschaltet ist, sind die Schnellwahltasten wie folgt programmiert:

Schnellwahltaste 3	0,6	Schnellwahltaste 12	1,5
Schnellwahltaste 6	0,9	Schnellwahltaste 15	1,8
Schnellwahltaste 9	1,2	Schnellwahltaste 18	2,1

- Beim Drücken einer Schnellwahltaste wird die Geschwindigkeit sofort auf die Anfangsgeschwindigkeit gesetzt
- Zum Beispiel, wenn das Laufband im Geschwindigkeitsmodus verwendet wird. Die Geschwindigkeit ändert sich von einer beliebigen Geschwindigkeit auf 1,2 km/h durch Drücken der Schnellwahltaste 9.

### Spezifische Tastenfunktionen im Rückwärtsmodus

#### Lenker Speed/Sled - Minus

- Verringert die Geschwindigkeit (0,1 bis 2,5 km/h).
- Bei einmaligem Drücken verringert sich die Geschwindigkeit um 0,1 km/h.
- Die Geschwindigkeit wird schneller verringert, wenn die Taste zwei Sekunden gedrückt wird.

#### Lenker Speed/Sled - Plus

- Erhöht die Geschwindigkeit (0,1 ~ 2,5 km/h).
- Bei einmaligem Drücken erhöht sich die Geschwindigkeit um 0,1 km/h.
- Die Geschwindigkeit wird schneller erhöht, wenn die Taste zwei Sekunden lang gedrückt wird.

#### Lenker Speed/Sled - Schnellwahltasten

Wenn das Laufband auf die Funktion Rückwärtslauf eingestellt ist, sind die Schnellwahltasten wie folgt programmiert:

Schnellwahltaste 3	0,6	Schnellwahltaste 12	1,5
Schnellwahltaste 6	0,9	Schnellwahltaste 15	1,8
Schnellwahltaste 9	1,2	Schnellwahltaste 18	2,1

- Beim Drücken einer Schnellwahltaste wird die Geschwindigkeit sofort auf die Anfangsgeschwindigkeit gesetzt
- Zum Beispiel, wenn das Laufband im Rückwärtsmodus verwendet wird. Die Geschwindigkeit ändert sich von einer beliebigen Geschwindigkeit auf 1,2 km/h durch Drücken der Schnellwahltaste 9.

### Erklärung der Anzeigeelemente

#### Punktmatrix

Die Punktmatrix zeigt das Programmprofil in zwei Abschnitten:

- Die ersten 10 Zeilen stellen die Steigungseinstellung dar.
- Die zweiten 10 Zeilen stellen die Geschwindigkeitseinstellung im Laufbandmodus dar.
- Die Intensität des Schlittens, wenn er sich im Schlittenmodus befindet.
- Zeigt die Parameterdaten an, wenn Sie sich im Programmiermodus befinden.

#### Incline (Steigung)

- Zeigt im Trainingsmodus die aktuelle Laufbandsteigung an.
- Zeigt im Programmiermodus die Zielsteigung.

#### Speed/Sled (Geschwindigkeit/Schlitten)

Geschwindigkeit/Schlitten ist ein gemeinsames Fenster, das je nach Laufbandmodus unterschiedliche Funktionen hat.

Wenn sich das Laufband im Funktionsmodus "Laufband" befindet

- (auch Grenzgeschwindigkeit und Rückwärts geschwindigkeit)
- Zeigt im Trainingsmodus die aktuelle Laufbandgeschwindigkeit in km/h an.
- Zeigt im Programmiermodus die Zielgeschwindigkeit an.

Wenn sich das Laufband im Funktionsmodus Schlitten befindet.

- Zeigt den aktuellen Laufbandwiderstand in % im Schlittenmodus an.
- Zeigt die Zielgeschwindigkeit im Programmiermodus der Laufbandfunktion an.

#### Herzfrequenz

- Zeigt im Trainingsmodus die erfasste Pulsfrequenz oder „P“ an, wenn kein Puls gemessen wird.

## Tickerleiste

Die Tickerleiste zeigt Daten oder Anweisungen an, um den Benutzer bei der korrekten Bedienung des Laufbands im Standby-Modus zu unterstützen.

### Tickerleiste - Programmteil

- Zeigt im Programmiermodus die Programmauswahl an.
- Zeigt "-- --" an, wenn Sie sich im Trainingsmodus befinden.

### Tickerleiste - Abschnitt Cal/Watt

- Zeigt die verbrauchten Kalorien im Trainingsmodus an.
- Zeigt beim Training im Countdown-Modus die verbleibenden Kalorien an.
- Zeigt im Programmiermodus die Zielkalorien an.
- Zeigt Watt an, wenn Sie sich im Schlittenmodus befinden.

### Tickerleiste - Abschnitt Entfernung

- Zeigt im Trainingsmodus die zurückgelegte Strecke an.
- Zeigt die verbleibende Entfernung an, wenn das Training im Zielentfernungsmodus durchgeführt wird.
- Zeigt im Programmiermodus die Zielstrecke an.

### Tickerleiste - Zeitabschnitt

- Zeigt im Trainingsmodus die gelaufene Zeit an.
- Zeigt die verbleibende Zeit an, wenn das Training im Zielzeitmodus durchgeführt wird.
- Zeigt im Programmiermodus die Zielzeit an.

### Tickerleiste - Benutzerbereich

- Zeigt die Benutzerauswahl an, wenn Sie sich im Programmiermodus befinden.
- Zeigt "-- --" an, wenn Sie sich im Trainingsmodus befinden.

## Erläuterung der akustischen Display-Signaltöne

Die Konsole ist so konzipiert, dass der Benutzer durch einen akustischen Signalton informiert wird.

Damit soll der Benutzer auf Änderungen aufmerksam gemacht werden, um das Training sicher zu gestalten.

Die Konsole benachrichtigt den Benutzer, wenn:

- eine Taste gedrückt wird.
- wenn Sie das voreingestellte Ziel erreicht haben.
- um eine Geschwindigkeits- oder Steigungsänderung im gewählten Programm anzuzeigen.

## USB-Funktion

Der Benutzer kann sein Gerät während des Trainings zum Aufladen anschließen.

Spannung/Strom: 5VDC/1,0 Ampere

## Bedienung der Konsole

### Schnellstart

- Drücken Sie die Taste „Start/ Pause“, um Ihr Training ohne Voreinstellungen zu beginnen.
- Das Laufband beginnt mit der Mindestgeschwindigkeit von 0,8 km/h und behält die aktuell eingestellte Steigungseinstellung bei.
- Die Einstellung „Speed/Incline“ lässt sich jederzeit manuell einstellen, um Ihr Training zu ändern. Sie können es auch jederzeit stoppen/unterbrechen.

## Training beenden oder pausieren

- Durch einmaliges Drücken der Taste „Start/ Pause“ können Sie jederzeit pausieren.  
Das Display wird den Modus „PAUSE“ anzeigen.  
Die maximale Pausenzeit beträgt 4,30 Min.
- Zur Wiederaufnahme des Trainings die Taste „START/PAUSE“ im „PAUSE“-Modus drücken.
- Drücken Sie einmal die Taste „STOP“, um das Training zu unterbrechen.
- Drücken Sie zweimal „STOP“, um das Training zu beenden und die Konsole einzuschalten:  
Modus „Reset/Programmauswahl“.

## Schlitten-Programme

Um ein Schlitten-Funktionsprogramm einzustellen, muss sich das Laufband im Modus „Reset/Programmauswahl“ befinden. Versetzen Sie Ihr Laufband in den Reset-Modus, indem Sie zweimal die „Stop“-Taste drücken.

### ⚠ HINWEIS

- Die Konsole speichert die zuletzt verwendete Einstellung als Ihre bevorzugte und verwendet diese als Standardeinstellung im Programmiermodus.

## Laufband Schlittenfunktion

Wenn Sie das Laufband im Schlittenmodus verwenden, verwandelt das Laufband das Geh-/Lauftraining in ein Schlittenschiebetraining. In diesem Modus muss der Benutzer das Band durch Druckkraft in Bewegung setzen, wobei der Widerstand des Bandes prozentual erhöht werden kann, um das Training zu intensivieren.

## Goal Distance (Zielentfernung)

- Drücken Sie die Taste Goal Distance, um das Programm Zielentfernung auszuwählen.
- Das Display zeigt die Distanz "50" als Standard an oder das zuletzt eingestellte Ziel, da es die zuletzt eingestellte Distanz als Ihre bevorzugte Strecke speichert.
- Verwenden Sie die Tasten "Plus oder Minus", um Ihr gewünschtes Ziel einzustellen.  
± 100 m. Bereich: 50 ~ 9000 m.
- Drücken Sie auf Start für den Countdown und starten Sie Ihr Training, indem Sie das Laufband in Bewegung setzen.
- Mit den Tasten "Speed/ Sled" Plus und Minus kann der Widerstand auch +/- verändert werden
- Das Training wird beendet, wenn die eingestellte Zielstrecke erreicht ist.

## Goal Time (Zeitziel)

- Drücken Sie die Taste Goal Time, um das Programm Zeitziel auszuwählen.
- Das Display zeigt standardmäßig "30 Sek." oder das zuletzt eingestellte Ziel an, da es die zuletzt eingestellte Entfernung als Ihre bevorzugte Wahl speichert.
- Verwenden Sie die Tasten "Plus oder Minus", um Ihr gewünschtes Ziel einzustellen.  
± 5 Sek. Bereich: 5 ~ 990 Sek.
- Drücken Sie auf Start für den Countdown und starten Sie Ihr Training, indem Sie das Laufband in Bewegung setzen.
- Mit den Plus- oder Minus-Tasten +/- "Speed/ Sled" kann der Widerstand während des Trainings auch verändert werden.
- Das Training wird beendet, wenn die eingestellte Zielzeit erreicht ist.



## Manual (Manuell)

- Drücken Sie die Taste Manual, um das manuelle Programm auszuwählen.
- Auf dem Display wird die Entfernung "10%" als standardmäßig eingestelltes Zeitziel angezeigt.
- Verwenden Sie die Tasten "Speed/ Sled Plus oder Minus", um den gewünschten Startwiderstand für Ihr Training einzustellen.  
± 1 % Bereich: 1 ~ 100 %.
- Drücken Sie auf Start für den Countdown und starten Sie Ihr Training, indem Sie das Laufband in Bewegung setzen.
- Mit den Plus- oder Minus-Tasten +/- "Speed/ Sled" kann der Widerstand während des Trainings auch verändert werden.
- Das Training wird beendet, wenn der Benutzer das Training manuell stoppt.

## Custom (Benutzerdefiniert)

Es sind fünf benutzerdefinierte Programme verfügbar: C1, C2, C3, C4 UND C5. Diese Programme sind nach den Wünschen der Benutzer konfigurierbar.

- Drücken Sie die Taste Custom, um das Programm Benutzerdefiniert auszuwählen.
- Auf dem Display wird standardmäßig C1 angezeigt. Verwenden Sie die Tasten "Custom", um C1 bis C5 auszuwählen und drücken Sie zur Bestätigung die Eingabetaste.
- Legen Sie in Ihrem Profil die Anzahl der Schritte fest, die Sie wünschen.  
Das Display zeigt den Standardwert für das ausgewählte Programm an.  
Verwenden Sie die Tasten "Plus oder Minus", um die Anzahl der Schritte einzustellen.  
Bereich: 2 ~ 12 ( ± 1 ) und drücken Sie zur Bestätigung die Eingabetaste.
- Stellen Sie das "Intervall" ein, das die aktive Funktionszeit des Schlittens für jeden der Schritte darstellt.  
Die Herzfrequenzanzeige zeigt standardmäßig 15 an (Zeit in Sekunden).  
Verwenden Sie die Tasten "Plus oder Minus", um die Ruhezeit in Sekunden einzustellen.  
Bereich: 15 ~ 120 ( ± 15 ) und drücken Sie zur Bestätigung die Eingabetaste.
- Stellen Sie die "Ruhezeit" als Pausenzeit zwischen den Trainingsschritten ein.  
Das Herzfrequenz-Fenster zeigt als Standardwert 15 an (Zeit in Sekunden).  
Verwenden Sie die Tasten "Plus oder Minus", um die Ruhezeit in Sekunden einzustellen.  
Bereich: 15 ~ 120 ( ± 15 ) und drücken Sie zur Bestätigung die Eingabetaste.
- Stellen Sie den Widerstandswert für den Trainingsmodus ein.  
Auf dem Display wird standardmäßig 10 % angezeigt.  
Verwenden Sie die Tasten "Sled-Speed Plus oder Minus", um den gewünschten Widerstandswert für das erste Segment Ihres benutzerdefinierten Trainings einzustellen.  
Bereich: 1 % ~ 100 % ( ± 1 )  
Stellen Sie die Steigungsstufe ein und drücken Sie zur Bestätigung die Eingabetaste.  
Auf dem Display wird standardmäßig 0 angezeigt (Zeit in Sekunden).  
Verwenden Sie die Tasten "Incline Plus or Minus", um die Ruhezeit in Sekunden einzustellen.  
Verwenden Sie die Tasten "Incline Plus or Minus", um die gewünschte Neigungsstufe für das erste Segment Ihres benutzerdefinierten Trainings einzustellen.  
Bereich: 0 ~ 15. ( ± 1 )

- Nehmen Sie die Einstellungen für alle Schritte in Ihrem benutzerdefinierten Training auf dieselbe Weise vor.
- Drücken Sie die Taste „Start“, um Ihr Training zu beginnen.

## HINWEIS

- Die Einstellungen werden automatisch gespeichert.
- Die Einstellungen können geändert werden, indem Sie das gleiche Programm auswählen und die gewünschten Änderungen vornehmen.

## Krafttest

Das Krafttestprogramm ist so aufgebaut, dass es die maximale Kraft des Benutzers misst.

- Drücken Sie die Taste Strength Test (Krafttest), um das Programm Krafttest auszuwählen.
- Das Display zeigt das standardmäßig eingestellte Zeitziel an.
- Verwenden Sie die Tasten "Plus oder Minus", um Ihr gewünschtes Ziel einzustellen.  
± 30 Sek. Bereich: 30 ~ 120 Sek.
- Drücken Sie auf "Start", um mit dem Training zu beginnen.  
Der Trainer erzeugt einen Widerstand von 100 %, bei dem der Benutzer sein Bestes geben muss, um das Laufband so schnell wie möglich in Bewegung zu setzen.  
Während des Tests werden die Echtzeit-Parameter im Display angezeigt.
- Nach Erreichen der eingestellten Zielzeit zeigt die Konsole das Testergebnis in Gesamtdistanz und Durchschnittswiderstand über die gesamte Testdauer an.

## Laufbandprogramme

Wenn Sie das Laufband im Laufbandmodus verwenden, nutzt das Laufband den internen Motor, um die Geschwindigkeit des Laufbandes anzutreiben.  
Dies ist die Standardfunktion eines herkömmlichen Laufbandes.

Um ein Laufbandprogramm einzustellen, muss sich das Laufband im Modus "Reset/Programmauswahl" befinden.  
Versetzen Sie Ihr Laufband in den Reset-Modus, indem Sie zweimal die "Stop"-Taste drücken

## HINWEIS

- Die Konsole speichert die zuletzt verwendete Einstellung als Ihre bevorzugte und verwendet diese als Standardeinstellung im Programmiermodus.

## Limit-Modus

- Drücken Sie die Taste Limit Mode, um das Programm Limit-Modus auszuwählen.
- Drücken Sie die Taste „Start“, um Ihr Training zu beginnen.
- Das Laufband startet mit einer Geschwindigkeit von 0,1 km/h.
- Mit den Plus- und Minus-Tasten "Speed/Sled" kann die Trainingsgeschwindigkeit jederzeit geändert werden.  
± 0,1 km/h Bereich: 0.1 ~ 2,5 km/h.
- Das Training wird beendet, wenn der Benutzer das Training manuell stoppt.



## **Programme P1-P5**

Es gibt 10 vorprogrammierte Programme.

- P1~P3 sind geschwindigkeitsgesteuerte Programme.
- P4-P5 sind geschwindigkeits- und steigungsgesteuerte Kombinationsprogramme.
- Siehe: Bild P1-P5, um den Inhalt des Laufbandprogramms P1-P5 zu erfahren.
- Drücken Sie die Tasten P1-P5, um das Programm für den Limit-Modus auszuwählen.
- Verwenden Sie die Tasten "P1-P5", um das gewünschte Programm auszuwählen.  
Das Display zeigt die Entfernung P1 als Standardprogramm an
- Verwenden Sie die Tasten "P1-P5", um das gewünschte Programm auszuwählen: P1 ~ P5, und drücken Sie zur Bestätigung die Eingabetaste.
- Verwenden Sie die Tasten "Plus oder Minus", um die gewünschte Programmstufe auszuwählen.  
Das Display zeigt .L1 als Standardprogrammstufe an.
- Verwenden Sie die Tasten "Plus oder Minus", um die gewünschte Stufe auszuwählen: L1 ~ L4, und drücken Sie zur Bestätigung die Eingabetaste.
- Drücken Sie die Taste „Start“, um Ihr Training zu beginnen.
- Das Training wird beendet, wenn das Ende des Programms erreicht ist.

### **P1 ~ P5 Programmverhalten**

- Die Dauer des Programms ist auf 36 Minuten eingestellt.  
Jede Minute wechselt das Profil zum nächsten Programmsegment und beginnt wieder von vorne, wenn das Ende erreicht ist.  
Sie können Geschwindigkeit und Steigung jederzeit ändern. Das Programm nimmt sein Profil automatisch auf, wenn es zur nächsten Stufe wechselt.
- Das Training wird beendet, wenn das Ende des Programms erreicht ist.

## **Programme P6 - P10**

Es gibt 10 vorprogrammierte Programme.

- P6~P10 sind steigungsgesteuerte Programme.
- Siehe: Bild P6~P10, um den Inhalt des Laufbandprogramms P6~P10 zu erfahren.
- Drücken Sie die Tasten P6-P10, um das Programm für den Limit-Modus auszuwählen.
- Verwenden Sie die Tasten "Plus oder Minus", um das gewünschte Programm auszuwählen.  
Das Display zeigt die Entfernung P1 als Standardprogramm an
- Verwenden Sie die Tasten "Plus oder Minus", um das gewünschte Programm auszuwählen: P6 ~ P10, und drücken Sie zur Bestätigung die Eingabetaste.
- Verwenden Sie die Tasten "Plus oder Minus", um die gewünschte Programmstufe auszuwählen.  
Das Display zeigt .L1 als Standardprogrammstufe an.
- Verwenden Sie die Tasten "Plus oder Minus", um die gewünschte Stufe auszuwählen: L1 ~ L4, und drücken Sie zur Bestätigung die Eingabetaste.
- Drücken Sie die Taste „Start“, um Ihr Training zu beginnen.

### **P6 ~ P8 Programmverhalten**

- Die Programmdauer ist auf 36 Minuten eingestellt.  
Jede Minute wechselt das Profil zum nächsten Programmsegment und beginnt wieder von vorne, wenn das Ende erreicht ist.  
Sie können Geschwindigkeit und Steigung jederzeit ändern. Das Programm nimmt sein Profil automatisch auf, wenn es zur nächsten Stufe wechselt.
- Das Training wird beendet, wenn das Ende des Programms erreicht ist.

## **P9 - P10 Programmverhalten**

- Die Dauer des Programms ist für P9 auf 5 km und für P10 auf 10 km eingestellt.  
Alle 200 Meter wechselt das Profil zum nächsten Programmsegment und beginnt wieder von vorne, wenn das Ende erreicht ist.  
Sie können Geschwindigkeit und Steigung jederzeit ändern.
- Das Training wird beendet, wenn das Ende des Programms erreicht ist.

## **User (Benutzer)**

- Drücken Sie die Taste "User", um ein Benutzerprogramm auszuwählen/zu konfigurieren.  
Das Display zeigt U1 als Standard an.
- Verwenden Sie die Taste "User", um den gewünschten Benutzer auszuwählen: U1 ~ U5, und drücken Sie zur Bestätigung die Eingabetaste.

## **Benutzerdaten einstellen**

- Stellen Sie Ihr Geschlecht ein, auf dem Display erscheint (männlich) oder (weiblich).  
Wählen Sie mit den Tasten "Plus oder Minus" das richtige Geschlecht und drücken Sie zur Bestätigung die Eingabetaste.
- Auf dem Display wird Alter angezeigt, um Ihr Alter einzustellen.  
Das Display zeigt 30 als Standardwert oder das zuletzt eingestellte Alter an.  
Verwenden Sie die Tasten "Plus oder Minus", um das richtige Alter einzustellen  
± 1 Bereich: 15 ~ 80 Jahre und drücken Sie zur Bestätigung die Eingabetaste.
- Das Display zeigt Höhe an, um Ihre Körpergröße einzustellen.  
Das Display zeigt 170 (cm) als Standard oder die zuletzt eingestellte Körpergröße an.  
Verwenden Sie die Tasten "Plus oder Minus", um die richtige Größe einzustellen  
± 1 Bereich: 100 ~ 220 (cm) und drücken Sie zur Bestätigung die Eingabetaste.
- Das Display zeigt Gewicht an, um Ihr Körpergewicht einzustellen.  
Das Display zeigt 75 (kg) als Standard oder das zuletzt eingestellte Gewicht an.  
Verwenden Sie die Tasten "Plus oder Minus", um das richtige Gewicht einzustellen  
± 1 Bereich: 30 ~ 150 (kg) und drücken Sie zur Bestätigung die Eingabetaste.
- Im Puls-Fenster wird der persönliche BMI-Index auf Grundlage der eingestellten Benutzerparameter angezeigt.

## **Benutzerprogrammprofil einstellen.**

- Drücken Sie die Eingabetaste, um das Einstellungsmenü für Ihr Benutzerprogrammprofil zu öffnen.
- Die Herzfrequenzanzeige zeigt: 1 an, um Sie darüber zu informieren, dass Sie die Geschwindigkeit und die Steigung für die erste von 12 Stufen Ihres Profils einstellen können.
- Stellen Sie die gewünschte Geschwindigkeit für das erste Segment des Benutzerprogramms mit den Tasten Speed Up/Down ein.  
Stellen Sie die gewünschte Steigung für das erste Segment des Benutzerprogramms ein, indem Sie die Tasten Incline Up/Down verwenden.  
Bestätigen Sie mit der Eingabetaste.
- Die Herzfrequenzanzeige zeigt 2 an  
Stellen Sie alle 12 Segmente Ihres Programmprofils ein.
- Auf dem Display wird das Zeitziel "35" Min. angezeigt. Verwenden Sie die Taste -/+, um das Zeitziel zu ändern. ± 1 Bereich: 1 ~ 99  
Drücken Sie auf Start, um das Training zu starten.



## HRC

### HINWEIS

- Die vorgeschlagene Herzfrequenz basiert auf der maximalen Herzfrequenz des Benutzers, die anhand des Alters des Benutzers berechnet wird:  $220 - \text{Alter}$ .
- Die minimale HF-Einstellung beträgt 50 % der maximalen HF des Benutzers
- Die Zielvorgabe für die maximale HF beträgt 100 % der maximalen HF des Benutzers. HF.

- Drücken Sie die Taste HRC, um das HRC-Programm auszuwählen.
- Stellen Sie das Alter des Benutzers mit den Tasten "Plus oder Minus" ein und bestätigen Sie mit der Eingabetaste
- Stellen Sie das gewünschte Herzfrequenzziel ein, indem Sie mit den Tasten "Plus oder Minus" die Eingabe bestätigen. (Die Höchstgrenze wird durch das eingestellte Alter bestimmt ( $220 - \text{Alter}$ ))
- Drücken Sie die Taste „Start“, um Ihr Training zu beginnen.
- Das Training wird nach 30 Minuten Countdown beendet.

Das Laufband stoppt nach  $\pm 30$  Sekunden, wenn keine Herzfrequenz empfangen wird.

### Goal Training (Trainingsziel)

- Es gibt jeweils drei Trainingszielprogramme: Goal Distance, Goal Time, Goal Calories (Zielentfernung, Zielzeit, Zielkalorien).

Drücken Sie zum Öffnen zweimal die Taste Goal Training: Goal Time. Drücken Sie zum Öffnen dreimal die Taste Goal Training: Goal Calories.

### Goal Distance (Zielentfernung)

- Drücken Sie zum Öffnen einmal die Taste Goal Training: Goal Distance.
- Das Display zeigt die Distanz "0,1" (KM) als Standard oder die zuletzt eingestellte Distanz an, da es die zuletzt eingestellte Distanz als Ihre bevorzugte Strecke speichert. Verwenden Sie die Tasten "Plus oder Minus", um Ihr gewünschtes Ziel einzustellen.  
 $\pm 0,1 \text{ KM}$  Bereich:  $0.1 \sim 99,9 \text{ KM}$ .  
Drücken und halten Sie die Taste "Plus oder Minus" für eine schnelle Einstellung  $\pm 1,0 \text{ km}$ .
- Drücken Sie die Taste „Start“, um Ihr Training zu beginnen.
- Das Training wird beendet, wenn die eingestellte Distanz erreicht ist.

### Goal Time (Zeitziel)

- Drücken Sie zum Öffnen zweimal die Taste Goal Training: Goal Time.
- Das Display zeigt die Zeit "1" (Min) als Standard oder das zuletzt eingestellte Ziel an, da es die zuletzt eingestellte Distanz als Ihre bevorzugte Wahl speichert.
- Verwenden Sie die Tasten "Plus oder Minus", um Ihr gewünschtes Ziel einzustellen.  
 $\pm 1 \text{ min}$ . Bereich:  $1 \sim 99 \text{ Min}$ .  
Halten Sie die "Plus- oder Minus"-Taste gedrückt, um das Ziel schnell einzustellen  $\pm 1 \text{ Min}$ . Drücken Sie "Start", um Ihr Training zu beginnen.
- Das Training wird beendet, wenn das eingestellte Zeitziel erreicht ist.

### Goal Calories (Kalorienziel)

- Drücken Sie zum Öffnen dreimal die Taste Goal Training: Goal Calories.
- Das Display zeigt Kalorien "10" (K.Cal) als Standard oder das letzte eingestellte Ziel an, da es die letzte eingestellten Kalorien als Ihre bevorzugte Wahl speichert.
- Verwenden Sie die Tasten "Plus oder Minus", um das gewünschte Ziel einzustellen.  
 $\pm 1 \text{ K.Cal}$ . Bereich:  $10 \sim 999 \text{ K. Cal}$ .  
Drücken und halten Sie die Taste "Plus oder Minus"  $\pm 10 \text{ K.Cal}$ .
- Drücken Sie die Taste „Start“, um Ihr Training zu beginnen.
- Das Training wird beendet, wenn das eingestellte Kalorienziel erreicht ist.

### Backward walking (Rückwärtsgehen)

Die Funktion Backward Walking versetzt das Laufband in eine Rückwärtsbewegung. Damit können Sie eine Übung zum Rückwärtsgehen machen.

Sie können sich auch umdrehen und diese Funktion nutzen, um in einer hohen Steigung vorwärts zu gehen.

- Drücken Sie die Taste Backward Walking, um das Programm für den Rückwärtsgehen-Modus auszuwählen.
- Drücken Sie die Taste „Start“, um Ihr Training zu beginnen.
- Das Laufband startet mit einer Geschwindigkeit von  $0,1 \text{ KM/Std.}$  in Rückwärtsrichtung
- Mit den Plus- und Minus-Tasten "Speed/Sled" kann die Trainingsgeschwindigkeit jederzeit geändert werden.  
 $\pm 0,1 \text{ KM/H}$  Bereich:  $0.1 \sim 2,5 \text{ KM/H}$ .
- Das Training wird beendet, wenn der Benutzer das Training manuell stoppt.

### Bluetooth & APP

- Diese Konsole kann über Bluetooth eine Verbindung mit ein APP auf dem Smart-Gerät herstellen. (iOS & Android)
- Erstellen Sie die Bluetooth-Verbindung nur über den Verbindungsmodus auf die installierte APP auf ihr Smartphone oder Tablet

### HINWEIS

- Tunturi bietet nur die Option an, die Fitness-Konsole über eine Bluetooth-Verbindung anzuschließen. Daher ist Tunturi nicht für Schäden oder Fehlfunktionen von Produkten verantwortlich, die nicht von Tunturi sind.
- Überprüfen Sie die Website für zusätzliche Informationen

### Reinigung und Wartung

#### WARNUNG

- Ihr Trainer muss monatlich gewartet werden, auch wenn er nicht benutzt wird.
- Ziehen Sie vor der Reinigung und Wartung den Netzstecker aus der Wandsteckdose.
- Verwenden Sie zur Reinigung des Geräts keine Lösungsmittel.
- Blockieren Sie nicht die Belüftungsöffnungen. Halten Sie die Belüftungsöffnungen frei von Staub, Schmutz und anderen Hindernissen.
- Reinigen Sie das Gerät nach dem Gebrauch mit einem weichen aufnahmefähigen Lappen.
- Reinigen Sie die sichtbaren Teile des Geräts mit einem Staubsauger mit kleiner Saugdüse.
- Prüfen Sie regelmäßig, ob alle Schrauben und Muttern fest sind.

**⚠ ACHTUNG**

- Wir empfehlen Ihnen, auf Ihrem Laufband nur Hallenschuhe zu verwenden. Wenn Sie diese nicht haben, empfehlen wir Ihnen, die Sohlen Ihrer Schuhe zu überprüfen, bevor Sie sie auf dem Laufband benutzen, um sicherzustellen, dass sie sauber sind, da das Laufband nicht für Straßenschmutz geeignet ist.

**Allgemeine Reinigung**

Dreck, Staub und Tierhaare können die Ventilation verstopfen und sich auf dem Band sammeln. Monatlich: Unter dem Laufband staubsaugen.

VOR DER REINIGUNG STROMKABEL ABZIEHEN.

**Bandstaub**

Dies kommt bei normalem Einlaufen oder bei der Bandstabilisierung vor. Wischen Sie ihn mit einem feuchten Tuch auf.

**Gurt und Lauffläche**

Ihr Laufband hat ein sehr hocheffizientes reibungsarmes Band. Die Leistung wird erhöht, wenn die Lauffläche so sauber wie möglich ist. Schmutz- und Staubpartikel zwischen Laufdeck und Laufband beschädigen die Oberfläche des Laufdecks und beeinträchtigen die Leistung und Lebensdauer des Produkts.

**Wie reinige ich ein Laufdeck?**

Verwenden ein weiches, feuchtes Tuch oder Papier, um die Ecken des Gurts und den Bereich zwischen Gurt und Rahmen zu reinigen. Versuchen Sie, auch unter die Laufbandkanten zu greifen, um die Schmutzansammlung an den Kanten zu entfernen.

**Wie reinigt man die Laufbandoberfläche?**

Verwenden Sie zunächst eine Nylonbürste, um die losen Partikel von der Oberfläche des Laufbandes zu entfernen. Verwenden Sie dann ein ausgewrungenes feuchtes Tuch (keine Reinigungs- oder Scheuermittel), um die Oberseite des strukturierten Bandes vorsichtig zu reinigen. Das Band sollte vor der Nutzung getrocknet sein.

**🔔 HINWEIS**

- Wenn Ihr Band zu schmutzig ist, um es nur mit Wasser zu reinigen, können Sie eine milde Seife verwenden, aber niemals einen Schmierstofflöser.
- Verhindern Sie, dass sich die Lösung immer zwischen Laufdeck und Laufband befindet.

Dies sollten Sie einmal in Monat tun, um die Lebensdauer der Lauffläche zu erhalten.

**Schmierung (Abb. F-6)****🔔 HINWEIS**

- Das Laufband wird vor der Montage auf Ihrem Lauftrainer bei der Herstellung des Gerätes geschmiert. Daher ist es nicht erforderlich, das Laufband bei der erstmaligen Inbetriebnahme zu schmieren.

Das Laufband muss regelmäßig auf gute Schmierung geprüft werden. Daher wird die Treadmill mit einer Erinnerungsfunktion (alle 300 km) geliefert. Das Fenster „TIME“ zeigt „OIL“ an und es ertönt ein Piepton im 10-Sekundentakt, um Sie an die Prüfung zu erinnern. Folgen Sie dem Ablauf zur Prüfung und löschen Sie die „OIL“-Mitteilung und das Tonsignal, indem Sie die Taste „STOP“ mindestens 3 Sekunden lang gedrückt halten, während das Signal ausgegeben wird.

**⚠ WARNUNG**

- Ziehen Sie vor der Schmierung den Netzstecker aus der Wandsteckdose.

**⚠ VORSICHT**

- Wir empfehlen, die Laufmatten-Schmierung mindestens einmal im Monat zu überprüfen da die Schmierungsbedingungen von mehreren Faktoren beeinflusst werden können.
- Schmieren Sie das Laufband nur, wenn dies erforderlich ist. Wird zu viel Schmiermittel aufgetragen, kann das Laufband aufgrund mangelnder Reibung leicht durchrutschen.

- Stellen Sie sich ruhig auf das Laufband.
- Halten Sie sich am vorderen Handgriff fest und schieben Sie das Laufband mit Ihren Füßen nach vorne und hinten. Das Laufband muss sich geschmeidig und gleichmäßig ohne Geräusentwicklung bewegen.
- Falls sich das Laufband nicht geschmeidig und gleichmäßig bewegt, oder falls es sich überhaupt nicht bewegt, fassen Sie mit den Fingerspitzen an die Unterseite des Laufbandes, um die Schmierung zu kontrollieren:
  - Falls Sie Schmiermittel fühlen können oder falls Ihre Fingerspitzen glänzen, ist genügend Schmierung am Laufband vorhanden.
  - Falls Sie kein Schmiermittel mit Ihren Fingerspitzen fühlen können oder falls die Fingerspitzen staubig und rau sind, tragen Sie Schmiermittel ( $\pm 10$  ml.) in der Mitte des Laufwerks unter dem Laufband auf und lassen Sie das Gerät mit ca. 5 km/h mindestens 5 Minuten lang laufen.
  - Klappen Sie das Gerät nach dem Schmieren erst zusammen, wenn Sie zwei Minuten lang mit einer Geschwindigkeit von mindestens 5 km/h trainiert haben. Dadurch wird das Schmiermittel vollständig vom laufenden Band aufgenommen und gleichmäßig verteilt.

**🔔 HINWEIS**

- Wenn Ihnen 5 km/h zu schnell sind, nehmen Sie Ihr Wunschtempo, aber verlängern Sie die Dauer auf mindestens 5 Minuten.



Klicken Sie hier, um unser unterstützendes YouTube-Video zu sehen. <https://youtu.be/ceaOYnofY5k>

**Gurteinstellungen**

Die Leistung Ihres Laufbandes hängt davon ab, dass es auf einer geraden Oberfläche läuft. Wenn der Rahmen nicht gerade ist, können die vorderen und hinteren Rollen nicht parallel laufen und das Band muss immer nachgestellt werden.

Das Laufband wurde so entwickelt, dass das Band immer in der Mitte läuft. Bei einigen Bändern ist es normal, dass das Band zu einer Seite zieht, wenn keine Person darauf läuft. Nach ein paar Minuten der Nutzung sollte sich das Band von alleine zentriert haben. Wenn der Gurt bei der Nutzung zu einer Seite zieht, muss dies eingestellt werden.

**AUSNAHME**

In der Reha, bei der Benutzer ein Bein stärker belasten als das andere, kann es vorkommen, dass das Band zu einer Seite zieht. In diesen Fällen sollten Sie das Band nicht einstellen, es sei denn, das Band verläuft bei normaler Nutzung nicht mehr zentral.

**Einstellung der Gurtspannung**

Die Einstellung wird an der hinteren Rolle vorgenommen. Die Einstellungsschrauben befinden sich am Ende der Schienen in den Endkappen.

- Ziehen Sie die hinteren Rollenschrauben (im Uhrzeigersinn) soweit fest, dass ein Abrutschen von der vorderen Rolle verhindert wird. Drehen Sie beide Laufband-Zugspannungs-Einstellungsschrauben stufenweise um 1/4-Umdrehung und überprüfen Sie jeweils die Zugspannung, indem Sie bei geringer Geschwindigkeit auf dem Band laufen. Das Band sollte nicht verrutschen. Ziehen Sie die Schrauben soweit an, dass das Band nicht mehr verrutscht.
- Wenn Sie das Gefühl haben, dass das Band genügend gespannt ist, aber immer noch verrutscht, könnte die Ursache ein loses Motorantriebsband unter der vorderen Abdeckung sein.
- Nicht Überspannen  
Eine Überspannung führt zu Schäden am Band und vorzeitigem Verschleiß der Lager.



Klicken Sie hier, um unser unterstützendes YouTube-Video zu sehen. [https://youtu.be/pp4\\_4bL1MXo](https://youtu.be/pp4_4bL1MXo)

### Zentrieren Sie das Laufband (Abb. F-5)

Das Zentrieren des Laufbandes ist erforderlich, wenn Ihr Laufband nicht in der Mitte der Lauffläche verläuft. Dies ist leicht zu erkennen, wenn der Spalt zwischen Seitenpodest und Laufband auf einer Seite deutlich größer ist als auf der anderen Seite.

Dies kann (folgende) Ursachen haben:

#### URSACHE 1

Sie setzen ein Bein beim Abstoßen während des Trainings stärker ein. Dies führt dazu, dass das Band zur Seite geschoben wird, was sich aber von selbst korrigiert, wenn man das laufende Band einige Minuten unbelastet laufen lässt.

#### URSACHE 2

Ihr Laufband ist nicht waagrecht ausgerichtet, so dass die Schwerkraft das Laufband langsam an das unterste Ende des Laufbands zieht. Dies muss durch eine korrekte Nivellierung des Laufbandes korrigiert werden, da dies durch keine andere Einstellung behoben werden kann.

#### URSACHE 3

Das Laufband ist nicht richtig zwischen der vorderen und hinteren Rollentrommel zentriert. Dies muss korrigiert werden, indem die Laufbandführung wie unten beschrieben eingestellt wird.

Um die Spur des Laufbandes einzustellen, verwenden Sie den Inbusschlüssel, der mit Ihrem Laufband geliefert wurde.

- Stellen Sie Ihr Laufband auf eine Geschwindigkeit von  $\pm 5$  km/h ein und laufen Sie nicht darauf.
- Wenn das Laufband nach rechts läuft, drehen Sie die linke Einstellschraube der hinteren Walze, die sich am hinteren Ende in einer Buchse in der hinteren Walzenabdeckung befindet, um 1/4 Umdrehung gegen den Uhrzeigersinn.
- Wenn das Laufband nach links läuft, drehen Sie die rechte Einstellschraube der hinteren Walze, die sich am hinteren Ende in einer Buchse in der hinteren Walzenabdeckung befindet, 1/4 Umdrehung gegen den Uhrzeigersinn.
- Warten Sie  $\pm 2$  Minuten, um dem laufenden Band Zeit zu geben, auf die Einstellung zu reagieren, bevor Sie die Einstellschritte wiederholen, falls erforderlich, um das gewünschte Ergebnis zu erzielen.

#### HINWEIS

- Denken Sie daran, dass eine kleine Anpassung einen großen Unterschied machen kann, also nehmen Sie die Anpassungen in kleinen Schritten vor.



Klicken Sie hier, um unser unterstützendes YouTube-Video zu sehen. <https://youtu.be/qx5AvTv00J4>

Das Band muss möglicherweise regelmäßig nachgestellt werden, je nach Nutzungs- und Laufverhalten. Verschiedene Benutzer wirken unterschiedlich auf das Band. Sie müssen das Band so einstellen, dass es in der Mitte der Fläche verläuft. Die Einstellungen werden im Laufe der Nutzung weniger aufwändig. Eine richtige Bandspurführung liegt in der Verantwortung des Besitzers.

#### HINWEIS

- Schäden am Laufband durch fehlerhafte spur-/ zugeinstellungen, sind nicht von der Garantie abgedeckt.

## Betriebs- störungen

---

Trotz kontinuierlicher Qualitätsüberwachung können vereinzelt an den Geräten durch einzelne Komponenten verursachte Funktionsstörungen auftreten. Dabei ist es nicht angebracht, das ganze Gerät zur Reparatur zu bringen, da der Fehler meistens durch Austauschen der defekten Komponente behoben werden kann.

Wenn das Gerät während des Gebrauchs nicht einwandfrei funktioniert, wenden Sie sich bitte umgehend an die für Sie zuständige Tunturi- Alleinvertretung. Beschreiben Sie das Problem, die Einsatzbedingungen und teilen Sie das Kaufdatum und die Typenbezeichnung und die Seriennummer Ihres Gerätes mit.

Wenden Sie sich an Ihre nationale Tunturi-Vertretung, wenn Sie Ersatzteile benötigen. Beschreiben Sie die Einsatzbedingungen und teilen Sie das Kaufdatum und die Seriennummer des Gerätes mit. Die Ersatzteilnummern finden Sie in der Liste am Ende dieser Anweisung. Nur Teile in der Ersatzteilliste dürfen verwendet werden.

### Fehlercodes

Falls in der Anzeige ein Fehlercode erscheint (durch "E" + Nummer erkennbar), starten Sie das Gerät neu und prüfen Sie, ob in der Anzeige der Fehlercode immer noch steht. Falls in der Anzeige der Fehlercode immer noch steht, wenden Sie sich unverzüglich an Ihren Händler.

### Oil / Lubrication

OIL ist kein Fehlercode, siehe "Schmierung"

### Cracking or wringing sound at low speed

When the running belt makes a cracking/ wringing noise when you put your body weight on the running belt during workout, the belt lubrication must be checked and most likely some lubricant is required. This problem mostly happens in the "Limit speed" mode or "Backward walking", as in these modes the running belt operation speeds can be set below 0.5 km/h. See section "Lubrication" for more details on how to check and apply the lubricant status of your running belt.

## Transport und Lagerung

---

#### WARNUNG

- Ziehen Sie vor der Reinigung und Wartung den Netzstecker aus der Wandsteckdose.
- Tragen und bewegen Sie das Gerät mit mindestens zwei Personen.
- Vergewissern Sie sich, dass sich keine Personen oder Gegenstände unter dem Gerät befinden.

- Bewegen Sie das Gerät wie gezeigt (Abb. F7).
- Ziehen Sie das Netzkabel ab, bevor Sie das Laufband bewegen, um zu vermeiden, dass das Netzkabel von den Rädern eingeklemmt und dadurch das Netzkabel oder der Netzstecker beschädigt wird.
- Die Räder unter dem Laufband sind für den Transport des Laufbandes gedacht, aber beachten Sie, dass das Laufband extrem schwer ist.
- Aufgrund des Gewichts des Laufbands wird empfohlen, es nur auf ebenen, stabilen und sauberen Flächen zu transportieren, um Schäden an den Rädern zu vermeiden.

## Garantie

### Eigentümer-garantie für Tunturi fitnessgeräte.

#### Garantiebedingungen

Der Käufer hat Anspruch auf die anwendbaren Bestimmungen, die in der jeweiligen nationalen Gesetzgebung für den Handel mit Konsumgütern festgelegt sind. Diese Garantie schränkt diese Rechte nicht ein. Die Garantie des Käufers gilt nur, wenn der Artikel in einer Umgebung verwendet und nach Anweisung gewartet wird, die von Tunturi New Fitness BV für dieses Gerät genehmigt wurde. Die produktspezifisch zugelassene Umgebung und Wartungshinweise sind im "Benutzerhandbuch" des Produkts angegeben. Das "Benutzerhandbuch" kann von unserer Website heruntergeladen werden. <http://manuals.tunturi.com>

#### Garantiedauer

Die Garantie gilt ab Kaufdatum. Die Garantiedauer kann sich je nach Land unterscheiden. Bitte wenden Sie sich an Ihren zuständigen Händler, um die Garantiedauer zu erfahren.

#### Garantieumfang

Unter keinen Umständen haften die Tunturi New Fitness BV oder der Tunturi-Vertragshändler für dem Käufer möglicherweise zugefügte indirekte Schäden wie Gebrauchsbeeinträchtigung oder Einkommensverlust oder anderen wirtschaftlichen Folgeschäden.

#### Einschränkungen der garantie

Die Garantie deckt durch Herstellung oder Material hervorgerufene Fehler des Fitnessgeräts in dessen ursprünglicher Zusammensetzung. Unter Voraussetzung, dass die Aufbau-, Pflege- und Gebrauchsanweisungen von Tunturi befolgt wurden, erstreckt sich die Garantie auf solche Fehler, die bei normaler und einem dem Gerät beiliegenden Anleitungsbuch entsprechender Benutzung auftreten können. Die Tunturi New Fitness BV und der Tunturi-Vertragshändler haften nicht für Fehler, die durch Faktoren außerhalb ihrer Einflussmöglichkeiten hervorgerufen wurden. Die Garantie gilt nur für den ursprünglichen Eigentümer und nur in den Ländern, in denen es einen von der Tunturi New Fitness BV autorisierten Importeur gibt. Die Garantie gilt nicht für solche Fitnessgeräte oder Teile, an denen ohne Zustimmung der Tunturi New Fitness BV Veränderungen vorgenommen worden sind. Die Garantie betrifft auch nicht solche Schäden, die durch natürlichen Verschleiß, fehlerhaften Gebrauch, Benutzung unter für das Gerät nicht vorgesehenen Umständen, Korrosion, Verladung oder Transport hervorgerufen wurden.

Ersatzleistungen aufgrund von Geräuschen, die beim Einsatz des Geräts auftreten, sind von der Garantie ausgeschlossen, sofern diese Geräusche den Gebrauch des Geräts nicht wesentlich beeinträchtigen und nicht durch einen Gerätefehler bedingt sind.

Die Garantie beinhaltet keine Wartungsmaßnahmen, wie Reinigung, Schmieren oder normales Kontrollieren der Teile, auch nicht solche Aufbaumaßnahmen, die der Kunde selbst ausführen kann und die kein spezielles Auseinander- oder Zusammenbauen des Fitnessgeräts erfordern. Zu solchen Maßnahmen gehört beispielsweise das Austauschen von Cockpits, Pedalen oder anderer entsprechender einfacher Teile. Andere als die durch einen autorisierten Tunturi-Vertreter ausgeführten Garantieleistungen werden nicht ersetzt. Durch unsachgemäße, d.h. nicht der Bedienungsanleitung entsprechenden, Bedienung, verfällt jedweder Garantieanspruch.

## Technische Daten

Parameter	Maßeinheit	Wert
Netzspannung	VAC	210~240
Netzfrequenz	HZ	50~60
Geschwindigkeit	Km/H	0.1~20.0
Steigung	Schritt	0~15
Länge	Cm	196.0
Breite	Cm	88.0
Höhe	Cm	154.7
Gewicht	Kg	155.8
Max. Benutzergewicht	Kb	150
Herzdatenmessung verfügbar über:	Handgrif kontakt 5.3~ 5.4 Khz. BLE BT ANT+	Ja Ja Ja Nein

#### HINWEIS

- Die Produktabmessungen und Funktionsmaße entnehmen Sie bitte der Abbildung G.

## Herstellereklärung

Tunturi New Fitness BV erklärt hiermit, dass das Produkt folgenden Normen und Richtlinien entspricht: EN-957- (SA), 2014/30/EU. Das Produkt trägt daher das CE-Kennzeichen.

03-2023

Tunturi New Fitness BV  
Purmerweg 1  
1311 XE Almere  
The Netherlands

## Haftungsausschluss

© 2023 Tunturi New Fitness BV  
Alle Rechte vorbehalten.

- Produkt und Handbuch können geändert werden.
- Die technischen Daten können ohne Vorankündigung geändert werden.
- Auf unserer Website finden Sie die neueste Version des Benutzerhandbuchs.

**Français**

Ce manuel français est une traduction de la version anglaise. Notez que la version anglaise est en tête dans le contenu lorsque des différences sont trouvées.

**Indice**


---

<b>Bienvenue</b> .....	<b>54</b>
<b>Avertissements de sécurité</b> .....	<b>55</b>
Sécurité électrique .....	55
<b>Instructions de montage</b> .....	<b>56</b>
Illustration de description A.....	56
Illustration de description B.....	56
Illustration de description C.....	56
Illustration de description D.....	56
Serrer les écrous et les boulons/vis .....	56
Informations supplémentaires.....	56
Zone de formation libre (Fig. D-0) .....	56
<b>Exercices</b> .....	<b>56</b>
Instructions d'entraînement .....	57
Fréquence cardiaque.....	57
<b>Usage</b> .....	<b>58</b>
Réglage des pieds de support .....	58
Core-bar (Barre centrale).....	59
Bande de résistance élastique .....	59
<b>Interface de l'utilisateur (fig E-1)</b> .....	<b>59</b>
Boutons.....	59
Fonctions spécifiques des boutons du mode Sled (Traîneau) ....	60
Fonctions spécifiques des boutons du mode Limit Speed (Vitesse limitée) .....	60
Fonctions spécifiques des boutons du mode Backwards (Marche à reculons).....	60
Explications des éléments de l'écran.....	61
Explications des bips acoustiques à l'écran.....	61
Fonction USB.....	61
<b>Fonctionnement de la console</b> .....	<b>61</b>
Quick start (Démarrage rapide) .....	61
Achever ou suspendre votre entraînement .....	61
<b>Programmes Sled (traîneau)</b> .....	<b>61</b>
Fonction Sled (traîneau) du tapis de course .....	61
Goal Distance (Distance cible).....	62
Goal Time (Durée cible).....	62
Manual (Manuel) .....	62
Custom (Personnalisé).....	62
Strength test (Test de force) .....	62
<b>Programmes Treadmill (Tapis de course)</b> .....	<b>63</b>
Mode limite .....	63
Programmes P1-P5.....	63
Programmes P6 - P10.....	63
User (Utilisateur).....	63
HRC (CONTRÔLE DU RYTHME CARDIAQUE).....	64
Goal Training (Entraînement cible).....	64
Marche à reculons .....	64
Bluetooth & APP.....	65

<b>Nettoyage et maintenance</b> .....	<b>65</b>
Nettoyage général .....	65
Tapis et surface .....	65
Lubrification (Fig. F-6) .....	65
Réglages de la courroie de course.....	66
<b>Défauts de fonctionnement</b> .....	<b>66</b>
Codes d'erreur .....	67
Oil / Lubrication.....	67
Cracking or wringing sound at low speed .....	67
<b>Transport et rangement</b> .....	<b>67</b>
<b>Garantie</b> .....	<b>67</b>
<b>Données techniques</b> .....	<b>67</b>
<b>Déclaration du fabricant</b> .....	<b>68</b>
<b>Limite de responsabilité</b> .....	<b>68</b>

**Bienvenue**


---

Bienvenue dans l'univers de Tunturi Fitness !  
 Merci pour votre achat de cet élément d'équipement Tunturi. Tunturi offre toute une gamme d'équipements de fitness professionnels, notamment des vélos elliptiques, tapis de course, vélos d'appartement, rameurs, bancs de musculation, multi stations et accessoires. Les équipements Tunturi sont parfaits pour toute la famille, quel que soit le niveau de forme de ses membres. Pour en savoir plus, visitez notre site Web [www.tunturi.com](http://www.tunturi.com)

**Consignes de sécurité importantes**

Lisez attentivement ce mode d'emploi avant d'assembler, d'utiliser ou d'effectuer l'entretien de votre appareil sportif. Veuillez conserver ce guide, il contient les renseignements dont vous aurez besoin, maintenant et plus tard, pour utiliser et entretenir votre appareil. Suivez toujours les instructions très rigoureusement.

## Avertissements de sécurité

### AVERTISSEMENT

- Lisez les avertissements de sécurité et les instructions. Le non respect des avertissements de sécurité et des instructions est une source de blessure et de dégâts de l'équipement. Conservez les avertissements de sécurité et les instructions pour référence ultérieure.

### AVERTISSEMENT

- Les systèmes de suivi de la fréquence cardiaque peuvent être inexacts. Un exercice excessif peut entraîner des blessures graves voire mortelles. Si vous vous sentez défaillir, interrompez immédiatement l'exercice.
- L'équipement est adapté à un usage domestique et professionnel uniquement (par ex. hôpitaux, caserne de pompiers, hôtels, écoles, etc.).
- L'emploi de cet équipement par des enfants ou des personnes affectés d'un handicap physique, sensoriel, mental ou moteur, voire dont l'expérience ou les connaissances s'avèrent insuffisantes est une source de risques. Les personnes chargées de leur sécurité doivent leur fournir des instructions explicites ou superviser leur usage de l'équipement.
- Avant de commencer vos exercices, effectuez un bilan de santé auprès d'un médecin.
- Si vous êtes pris de nausées ou de vertiges ou sentez d'autres symptômes normaux pendant l'entraînement, interrompez immédiatement la session et consultez votre médecin.
- Afin d'éviter toutes douleurs et tensions musculaires, commencez vos séances par des échauffements et terminez-les par une récupération. N'oubliez pas de vous étirer après vos exercices.
- L'équipement est uniquement adapté à un usage intérieur. L'équipement ne convient pas à un usage extérieur.
- Utilisez l'équipement uniquement dans des environnements correctement ventilés. N'utilisez pas l'équipement dans des endroits exposés aux courants d'air afin de ne pas vous enrhumers.
- Utilisez l'équipement uniquement à une température ambiante entre 10 °C~35 °C. Rangez l'équipement uniquement à une température ambiante entre 5 °C~45 °C.
- N'utilisez et ne rangez pas l'équipement dans un environnement humide. L'humidité de l'air ne doit jamais dépasser 80 %.
- Utilisez l'équipement uniquement pour son usage prévu. N'utilisez pas l'équipement pour d'autres usages que ceux décrits dans le manuel.
- N'utilisez pas l'équipement si l'une de ses pièces est endommagée ou défectueuse. Si une pièce est endommagée ou défectueuse, contactez votre revendeur.
- Maintenez vos mains, vos pieds et les autres parties de votre corps à l'écart des pièces mobiles.
- Maintenez votre chevelure à l'écart des pièces mobiles.
- Portez des vêtements et des chaussures adaptés.
- Maintenez les vêtements, bijoux et autres objets à l'écart des pièces mobiles.
- Assurez-vous qu'une seule personne utilise l'équipement à la fois. L'équipement ne doit pas être utilisé par des personnes pesant plus de 150 kg (330 lbs).
- N'ouvrez pas l'équipement sans consulter votre revendeur.

## Sécurité électrique

(Uniquement pour les équipements à alimentation électrique)

- Avant usage, assurez-vous toujours que la tension secteur est identique à celle de la plaque signalétique de l'équipement.
- N'utilisez pas de rallonge.
- Maintenez le câble secteur à l'écart de la chaleur, de l'huile et des bords coupants.
- N'altérez et ne modifiez aucunement le câble secteur ou la fiche secteur.
- N'utilisez pas l'équipement si le câble secteur ou la fiche secteur est endommagé ou défectueux. Si le câble secteur ou la fiche secteur est endommagé ou défectueux, contactez votre revendeur.
- Déroulez toujours complètement le câble secteur.
- Ne passez pas le câble secteur sous l'équipement. Ne passez pas le câble secteur sous un tapis. Ne placez aucun objet sur le câble secteur.
- Assurez-vous que le câble secteur ne pend pas sur le bord d'une table. Assurez-vous que le câble secteur ne peut pas être happé par accident ou faire trébucher.
- Ne laissez pas l'équipement sans surveillance si la fiche secteur est insérée dans la prise murale.
- Ne tirez pas sur le câble secteur pour retirer la fiche secteur de la prise murale.
- Retirez la fiche secteur de la prise murale lorsque l'équipement n'est pas utilisé, avant l'assemblage et le démontage et avant le nettoyage et la maintenance.

### AVERTISSEMENT

- Une variation de tension d'au moins dix pour cent (10 %) peut avoir une incidence sur les performances du tapis de course. De telles conditions ne sont pas couvertes par votre garantie. Si vous avez l'impression que la tension est trop basse, vous devez contacter votre compagnie d'électricité ou un électricien qualifié pour tester le circuit électrique.

### AVERTISSEMENT

- Eloignez de câble d'alimentation de toute pièce mobile du tapis de course, y compris du mécanisme d'inclinaison et des roulettes destinées au transport.

## Instructions de mise à la terre

Ce produit doit être mis à la terre. Si le système électrique du tapis de course présente une défaillance ou une panne, sa mise à la terre fournit un chemin de moindre résistance au courant électrique, réduisant ainsi le risque de décharge électrique. Ce produit est équipé d'un câble pourvu d'une fiche de terre. Cette fiche doit être branchée dans une prise appropriée, correctement installée et mise à la terre conformément aux normes et règlements locaux.

### AVERTISSEMENT

- Un branchement inadéquat du conducteur de terre peut entraîner des risques de décharge électrique. Veuillez consulter un électricien qualifié si vous avez des doutes sur la mise à la terre du produit selon les règles. Ne modifiez pas la fiche fournie avec le produit lorsqu'elle n'entre pas dans la prise ; faites installer une prise adéquate par un électricien qualifié.

## Instructions de montage

### Illustration de description A

Cette illustration montre ce à quoi le trainer ressemblera une fois le montage terminé.

Vous pouvez l'utiliser au titre de référence lors du montage mais suivez bien les étapes de montage dans l'ordre indiqué tel que les illustrations le montrent.

### Illustration de description B

Cette illustration montre les composants et les pièces que vous devez trouver après avoir déballé le produit.

#### REMARQUE

- Les petites pièces peuvent être cachées/rangées dans des espaces de la protection en polystyrène du produit.
- Si une pièce manque, contactez votre revendeur.

### Illustration de description C

Cette illustration montre le kit de quincaillerie fourni avec le produit. Le kit de quincaillerie contient des boulons, des rondelles, des vis, des écrous, etc. ainsi que les outils vous permettant d'installer correctement votre trainer.

### Illustration de description D

Ces illustrations vous indiquent l'ordre de montage correct pour monter votre trainer.

#### REMARQUE

- Les numéros des pièces indiqués lors des étapes de montage commencent par le dessin des pièces que vous trouverez dans la version complète du manuel disponible en ligne.

#### AVERTISSEMENT

- Assemblez l'équipement dans l'ordre indiqué.
- Deux personnes au moins sont nécessaires pour transporter et déplacer l'équipement.

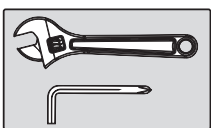
#### PRÉCAUTION

- Placez l'équipement sur une surface plane et ferme.
- Placez l'équipement sur une base protectrice pour éviter d'endommager la surface du sol.
- Prévoyez un dégagement d'au moins 100 cm autour de l'équipement.
- Consultez les illustrations pour l'assemblage correct de l'équipement.

#### NOTE

- Conservez les outils livrés avec ce produit après son montage, pour d'éventuels entretiens.

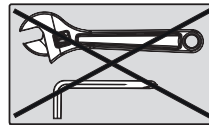
### Serrer les écrous et les boulons/vis



Serrez fermement tous les écrous et vis après que tous les composants aient été assemblés au cours des étapes actuelles et précédentes.

#### NOTE

- Ne pas serrer excessivement les composants présentant une fonction pivotante.
- Assurez-vous que tous les composants mobiles pivotent sans entrave.



Ne pas serrer les écrous et les vis/boulons à cette étape.

## Informations supplémentaires

### Élimination des emballages

Les réglementations gouvernementales nous demandent de réduire la quantité de matériaux déposés dans les décharges. C'est pour cela que nous faisons appel à votre responsabilité et vous demandons de déposer les emballages dans des centres de recyclage publics.

### Élimination du produit

Chez Tunturi, nous espérons que vous profiterez longtemps de votre appareil de fitness. Cependant, nous savons bien qu'un jour ou l'autre votre machine arrivera au terme de sa vie utile. Selon la directive européenne sur les DEEE, vous êtes responsable de vous séparer correctement de votre appareil de fitness en le déposant dans un site public agréé de récupération des déchets.

### Zone de formation libre (Fig. D-0)

#### Avant de l'équipement

Prévoyez un espace d'au moins 30 cm devant l'appareil.

- La zone d'entraînement libre peut être partagée avec d'autres équipements de même type lorsque les deux se font face.

#### Côté de l'équipement.

Prévoyez un dégagement d'au moins 60 cm de chaque côté de l'équipement.

- La zone d'entraînement libre peut être partagée avec d'autres équipements de même type lorsque les deux se font face.

#### Arrière de l'équipement

Prévoyez un espace d'au moins 200 cm derrière l'équipement.

- La zone d'entraînement libre ne peut pas être partagée avec d'autres équipements de même type. L'espace libre supplémentaire requis dépend de l'orientation des deux équipements et doit correspondre à la somme des deux valeurs.

## Exercices

Un exercice doit être suffisamment léger mais prolongé. L'exercice aérobique repose sur l'amélioration de l'absorption maximum d'oxygène par le corps, améliorant à son tour l'endurance et la forme. Vous devez transpirer mais sans jamais être à bout de souffle durant l'exercice.

Pour atteindre et entretenir un niveau de forme basique, exercez-vous au moins 3 fois par semaine, par session de 30 minutes. Accroissez le nombre des sessions d'exercice pour améliorer votre niveau de forme. Il est profitable de combiner un exercice régulier et un régime sain. Une personne suivant un régime doit s'exercer au quotidien, au début 30 minutes ou moins pour chaque session afin d'accroître ensuite progressivement le temps d'exercice quotidien pour atteindre une heure. Commencez vos exercices à une vitesse lente et avec une faible résistance pour éviter de soumettre le système cardiovasculaire à une contrainte excessive.



À mesure de l'amélioration de votre forme, accroissez progressivement la vitesse et la résistance. L'efficacité de votre exercice est mesurable en suivant votre fréquence cardiaque et votre pouls.

### Instructions d'entraînement

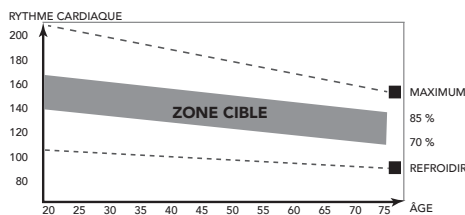
L'utilisation de votre appareil de fitness vous procurera plusieurs avantages : il vous permettra d'améliorer votre forme physique, de tonifier vos muscles et, associé à un régime hypocalorique, de perdre du poids.

### Phase d'échauffement

Cette étape favorise la circulation du sang dans tout le corps et le bon fonctionnement des muscles. Elle réduit également le risque de crampes et de lésions musculaires. Il est conseillé de faire quelques exercices d'étirement, comme ceux qui sont indiqués ci-dessous. Chaque étirement doit être maintenu pendant environ 30 secondes. Ne forcez pas ou n'étirez pas excessivement un muscle. Si vous sentez qu'une position vous fait mal, ARRÊTEZ.

### Phase d'exercice

C'est l'étape principale de votre entraînement. Après une utilisation régulière de l'appareil, vous sentirez que les muscles de vos jambes ont gagné en souplesse. Il est très important de maintenir un rythme régulier tout au long de la séance. Le rythme de travail doit être suffisant pour faire monter votre rythme cardiaque dans la zone cible indiquée sur le graphique ci-dessous.



Cette étape doit durer au moins 12 minutes, bien que l'on commence généralement à environ 15-20 minutes.

### Phase de refroidissement

Cette étape a pour objectif de laisser votre système cardiovasculaire et vos muscles reprendre leur rythme normal. Il s'agit d'une répétition de l'exercice d'échauffement. Baissez le rythme et continuez pendant environ 5 minutes. Vous devez ensuite refaire les exercices d'étirement et souvenez-vous de ne pas forcer ou trop étirer un muscle dans une certaine position.

À mesure que vous améliorerez votre forme, vous ressentirez peut-être le besoin de vous entraîner plus longtemps ou de faire des entraînements plus poussés.

Il est conseillé de s'entraîner au moins trois fois par semaine et, si possible, d'espacer les séances régulièrement tout au long de la semaine.

### Tonification musculaire

Pour tonifier vos muscles à l'aide de l'appareil de fitness, vous devez sélectionner une résistance assez élevée. Les muscles de vos jambes seront davantage sollicités et vous ne pourrez peut-être pas vous entraîner aussi longtemps que vous le voudriez. Si vous souhaitez également améliorer votre forme, vous devrez modifier votre programme d'entraînement. Entraînez-vous normalement pendant les phases d'échauffement et de refroidissement, mais vers la fin de l'exercice, augmentez la résistance en faisant travailler vos jambes davantage. Vous devrez réduire la vitesse pour maintenir votre rythme cardiaque dans la zone cible.

### Perte de poids

Ici, le facteur important est l'effort que vous déployez. Plus vous entraînez longtemps et de manière soutenue, plus vous brûlerez de calories. C'est en réalité le même principe que pour l'entraînement d'amélioration de la forme ; la différence est l'objectif recherché.

### Fréquence cardiaque

#### Mesure du pouls (pulsomètres)

Le pouls est mesuré par des capteurs dans les poignées lorsque l'utilisateur touche les deux capteurs à la fois.

La mesure la plus précise du pouls nécessite une peau légèrement humide et un contact constant des pulsomètres. Si la peau est trop sèche ou humide, la mesure du pouls peut devenir moins précise.

#### REMARQUE

- N'utilisez pas les pulsomètres en même temps que la sangle thoracique de fréquence cardiaque.
- Si vous réglez une fréquence cardiaque limite pour votre exercice, une alarme retentit dès qu'elle est dépassée.

#### Mesure de la fréquence cardiaque (sangle thoracique de fréquence cardiaque)

#### NOTE

- Une sangle de poitrine ne vient pas standard avec cet entraîneur. Lorsque vous souhaitez utiliser une sangle de poitrine sans fil, vous devez l'acheter en tant qu'accessoire.

La sangle thoracique de fréquence cardiaque assure la mesure de fréquence cardiaque la plus précise. La fréquence cardiaque est mesurée par un récepteur combiné à la sangle thoracique de fréquence cardiaque. Une mesure précise de la fréquence cardiaque nécessite des électrodes de sangle émettrice légèrement humides et en contact constant avec la peau. Si les électrodes sont trop sèches ou humides, la mesure de la fréquence cardiaque peut devenir moins précise.

#### AVERTISSEMENT

- Si vous portez un stimulateur cardiaque, consultez votre médecin avant d'utiliser une sangle thoracique de fréquence cardiaque.

#### PRÉCAUTION

- Si plusieurs dispositifs de mesure de la fréquence cardiaque sont proches les uns des autres, assurez-vous qu'ils sont au moins distants de 2 mètres.
- En présence d'un récepteur unique de fréquence cardiaque pour plusieurs émetteurs, assurez-vous qu'une seule personne avec un émetteur est à portée de transmission.

#### NOTE

- N'utilisez pas les pulsomètres en même temps que la sangle thoracique de fréquence cardiaque.
- Portez toujours la sangle thoracique de fréquence cardiaque sous vos vêtements, en contact direct avec votre peau. Ne portez pas votre sangle thoracique de fréquence cardiaque par-dessus vos vêtements. Si vous portez la sangle thoracique de fréquence cardiaque sur vos vêtements, il n'y a pas de signal.
- Si vous réglez une fréquence cardiaque limite pour votre exercice, une alarme retentit dès qu'elle est dépassée.
- L'émetteur transmet la fréquence cardiaque à une console jusqu'à une distance de 1,5 mètre. Si les électrodes ne sont pas suffisamment mouillées, votre fréquence cardiaque ne s'affiche pas.
- Certaines fibres des vêtements (par ex. polyester, polyamide) créent de l'électricité statique qui peut empêcher la mesure précise de la fréquence cardiaque.

- Les téléphones portables, télévisions et autres appareils électriques créent un champ électromagnétique susceptible d'empêcher une mesure précise de la fréquence cardiaque.

### Fréquence cardiaque maximum (durant l'exercice)

La fréquence cardiaque maximum est la fréquence la plus élevée qu'une personne peut atteindre en toute sécurité sous la contrainte de l'exercice. La formule suivante sert à calculer la fréquence cardiaque maximum moyenne :  $220 - \text{ÂGE}$  La fréquence cardiaque maximum varie d'une personne à l'autre.

#### AVERTISSEMENT

- Assurez-vous de ne pas dépasser votre fréquence cardiaque maximum durant l'exercice. Si vous appartenez à un groupe à risque, consultez un médecin.

### Débutant

#### 50-60% de fréquence cardiaque maximum

Adapté aux débutants, aux personnes suivant leur poids, aux convalescents et aux personnes ne s'exerçant pas depuis un certain temps. Exercez-vous au moins trois fois par semaine, par session de 30 minutes.

### Avancé

#### 60-70% de fréquence cardiaque maximum

Adapté aux personnes souhaitant améliorer et entretenir leur forme. Exercez-vous au moins trois fois par semaine, par session de 30 minutes.

### Expert

#### 70-80% de fréquence cardiaque maximum

Adapté aux personnes les plus en forme, habituées aux exercices d'endurance prolongés.

## Usage

### Interrupteur d'alimentation principale (fig. E-2A)

L'équipement comporte un interrupteur d'alimentation principale pour le mettre complètement hors tension.

#### Démarrage de l'équipement:

- Insérez la fiche secteur dans l'équipement.
- Insérez la fiche secteur dans la prise murale.
- Positionnez l'interrupteur d'alimentation principale sur marche (ON).

#### Arrêt de l'équipement :

- Positionnez l'interrupteur d'alimentation principale sur arrêt (OFF).
- Retirez la fiche secteur de la prise murale.
- Retirez la fiche secteur de l'équipement.

### Clé de sécurité (Fig F-4)

L'appareil est équipé d'une clé de sécurité qui doit être correctement insérée dans la console pour le démarrer. Si votre clé de sécurité est partiellement retirée, le mode d'urgence s'activera et l'appareil s'arrêtera immédiatement.

La clé de sécurité est aussi retirée de sa position lorsque le bouton d'urgence rouge est actionné.

- Insérez la clé de sécurité dans la fente de la console en la poussant vers l'intérieur.
- Assurez-vous que le clip de la clé de sécurité est correctement fixé à vos vêtements.  
Assurez-vous qu'il est suffisamment bien fixé à vos vêtements pour qu'il puisse retirer la clé de sécurité en cas de besoin.

#### REMARQUE

- La console affichera un texte défilant : « REMETTRE LA CLÉ DE SÉCURITÉ » et des lignes de défilement verticales apparaissent à l'écran principal lorsque la clé de sécurité n'est pas en (bonne) position.

### Disjoncteur (Fig. E-2B)

L'équipement comporte un disjoncteur qui coupe le circuit d'alimentation si la charge électrique dépasse la capacité maximum. En ce cas, vous devez appuyer sur le disjoncteur.

#### AVERTISSEMENT

- Avant d'appuyer sur le disjoncteur, retirez la fiche secteur de l'équipement.

Si l'équipement s'arrête, procédez comme suit pour le redémarrer :

- Retirez la fiche secteur de l'équipement.
- Appuyez sur le disjoncteur pour redémarrer l'équipement.
- Insérez la fiche secteur dans l'équipement.

#### REMARQUE

- Certains disjoncteurs utilisés dans des habitations ne sont pas conçus pour les appels de courant importants qui peuvent se produire lors de la mise en marche d'un tapis de course, voire pendant une utilisation normale. Si votre tapis de course déclenche le disjoncteur (même si la tension est correcte et si le tapis est le seul appareil branché sur le circuit), mais si le disjoncteur du tapis de course ne se déclenche pas, vous devez remplacer le disjoncteur par un type conçu pour des appels de courant importants. Il ne s'agit pas d'un défaut de garantie. C'est une situation qui échappe à notre contrôle en tant que fabricant.

### Réglage des pieds de support

L'équipement est équipé de pieds de support réglables.

Si l'équipement semble instable, bancal ou n'est pas de niveau, vous pouvez régler ces pieds de support afin de procéder aux corrections nécessaires.

- Tournez les pieds de support vers l'intérieur/vers l'extérieur tel que cela est nécessaire afin de stabiliser l'équipement et pour qu'il soit bien de niveau.
- Serrez les contre-écrous\* pour verrouiller les pieds de support.

#### ASTUCE RAPIDE

- Il est plus facile d'être deux pour cette procédure : une personne peut incliner l'équipement pendant que l'autre effectue les réglages nécessaires.

#### REMARQUE

- L'équipement est plus stable lorsqu'il est aussi près que possible du sol. Par conséquent, commencez à mettre l'équipement de niveau en tournant complètement tous les pieds de support vers l'intérieur avant de les tourner vers l'extérieur afin de stabiliser l'équipement et de le mettre de niveau.

## Core-bar (Barre centrale)

La barre principale doit être placée en position de rangement pour la fonction marche/course sur tapis et en mode de fonctionnement pour les fonctions de traîneau.

### Fixer la barre principale avant de courir (fig. F-1)

#### REMARQUE

- Détachez d'abord les bandes de résistance élastiques supplémentaires avant de mettre la barre centrale en position de rangement, en les décrochant de la barre centrale.
- Tirez sur le bouton d'éclatement et tournez-le dans le sens inverse des aiguilles d'une montre jusqu'à ce que le bouton s'abaisse automatiquement.
- Placez-vous sur les rails latéraux et poussez la barre principale vers l'avant jusqu'à ce que la goupille bloque la barre en tombant complètement.  
Il faut une force moyenne pour pousser la barre principale vers l'avant

### Libérer la barre principale pour la fonction de traîneau (fig. F-2)

#### REMARQUE

- Assurez-vous que la barre principale ne comprend pas d'accessoires avant de la libérer.
- Tirez le bouton d'éclatement vers le haut et tournez-le dans le sens des aiguilles d'une montre pour le maintenir en position haute.
- La barre principale se déplace automatiquement en position de marche en reculant.

## Bande de résistance élastique

Les bandes de résistance élastique servent à accroître la résistance de la barre principale au cours des fonctions du mode traîneau.

Il suffit d'accrocher l'une ou les deux bandes de résistance élastique sur la face inférieure de la barre principale afin d'augmenter la résistance à votre convenance. (Fig. F-3)

## Interface de l'utilisateur (fig E-1)

#### PRÉCAUTION

- Maintenez la console à l'écart de la lumière directe du soleil.
- Séchez la surface de la console dès qu'elle est couverte de gouttes de sueur.
- Ne vous appuyez pas sur la console.
- Touchez l'affichage uniquement avec le bout du doigt. Assurez-vous de ne pas toucher l'affichage avec vos ongles ou des objets coupants.

#### NOTE

- La console passe en mode de veille si l'équipement n'est pas utilisé pendant 4 minutes.

## Boutons

### Voir (Fig. E-1)

#### ATTENTION

- Certains boutons ont des fonctions différentes selon le réglage fonctionnel du tapis de course.
- Les informations relatives à la fonction du bouton principal s'appliquent aux fonctions lorsque le tapis de course est en mode de fonctionnement normal.

- Les boutons ayant des fonctions différentes dans d'autres modes fonctionnels sont mentionnés séparément dans les sections :
  - Fonctions spécifiques des boutons du mode Sled (Traîneau).
  - Fonctions spécifiques des boutons du mode Limit Speed (Vitesse limitée).
  - Fonctions spécifiques des boutons du mode Backward (Marche à reculons).

## Urgence

- Appuyez sur le bouton rouge d'urgence pour activer l'arrêt d'urgence, ce qui arrête rapidement le mouvement de la bande de course.
- En appuyant sur le bouton d'urgence, la clé de sécurité sort légèrement, ce qui évite de redémarrer accidentellement le tapis de course.
- Repoussez la clé de sécurité à fond dans sa fente pour désactiver le mode d'arrêt d'urgence.

## Enter (Entrée)

Confirmer les données définies en mode de programmation des réglages.

## Moins

Diminution de la valeur en mode de programmation des réglages.

## Plus

Augmenter la valeur en mode de programmation des réglages.

## Start (Démarrer)

En mode Stop (arrêt), appuyez sur le bouton pour démarrer l'entraînement.

En mode Pause, appuyez sur le bouton pour continuer l'entraînement.

## Return (Retour)

Appuyez sur le bouton pour revenir au menu de réglage.

## Stop (Arrêt)/Pause

En mode Entraînement, appuyez dessus pour mettre le tapis de course en mode Pause.

En mode Pause, appuyez dessus pour mettre le tapis de course en mode Stop (Arrêt).

## Boutons de sélection rapide des programmes Sled (traîneau)

En mode Stop (Arrêt), appuyez sur le bouton pour sélectionner un programme fonctionnel Sled (traîneau) et ouvrir le menu de réglage associé au programme.

Les programmes Sled (traîneau) sont : Goal Distance (Distance cible), Goal Time (Durée cible), Manual (Manuel), Custom (Personnalisé), Strength Test (Test de force)

## Boutons de sélection rapide des programmes Treadmill (tapis de course)

En mode Stop (Arrêt), appuyez sur le bouton pour sélectionner un programme fonctionnel Treadmill (tapis de course) et ouvrir le menu de réglage associé au programme.

Les programmes Treadmill (Tapis de course) sont : Limit mode (Mode limite), P1-P5, P6-P10, User (Utilisateur), HRC, Goal Training (Entraînement cible), Backward walking (Marche à reculons)

## Boutons du guidon gauche - Stop (Arrêt)

La fonction est la même que pour le bouton « Stop/Pause » (Arrêt/Pause) situé sur la console à boutons principale.

## Boutons du guidon gauche - Incline (Pente) Moins

- Diminue l'inclinaison (0 ~ 15 -1)
- Change les valeurs en mode programmation.

### Boutons de la poignée gauche - Incline (Pente) Plus

- Augmente l'inclinaison (0 ~ 15 +1).
- Change les valeurs en mode programmation.

### Boutons de la poignée gauche - Boutons de raccourci d'inclinaison

- Les boutons de raccourci d'inclinaison sont : 2, 4, 6, 8, 10, 12.
- Exemple lorsque le tapis de course est utilisé en mode fonctionnel Treadmill (tapis de course).  
Le niveau d'inclinaison passera de n'importe quel niveau à 6 si l'utilisateur appuie sur le bouton de raccourci d'inclinaison 6.

### Poignée droite Speed (Vitesse)/Sled (Traîneau) - Start (Démarrer)

La fonction est la même que celle du bouton « Start » (Démarrer) situé sur la console à boutons principale.

### Poignée droite Speed (Vitesse)/Sled (Traîneau) - Moins

- Diminue la vitesse (0,5 ~ 20,0 km/h).
- Appuyer une fois permet de diminuer la vitesse de 0,1 km/h.
- En appuyant et en maintenant le bouton enfoncé pendant deux secondes, la vitesse diminuera plus rapidement.
- Change les valeurs en mode programmation.

### Poignée droite Speed (Vitesse)/Sled (Traîneau) - Plus

- Augmente la vitesse (0,5 ~ 20,0 km/h).
- Appuyer une fois permet d'augmenter la vitesse de 0,1 km/h.
- En appuyant et en maintenant le bouton enfoncé pendant deux secondes, la vitesse augmentera plus rapidement.
- Change les valeurs en mode programmation.

### Poignée droite Speed (Vitesse)/Sled (Traîneau) - Boutons de raccourci

- Les boutons « Speed (Vitesse)/Sled (Traîneau) » sont : 3, 6, 9, 12, 15, 18.
- Exemple lorsque le tapis de course est utilisé en mode de fonctionnement tapis de course.  
La vitesse passera de n'importe quelle vitesse à 9 km/h si l'utilisateur appuie sur le bouton de raccourci de vitesse 9.

### Fonctions spécifiques des boutons du mode Sled (Traîneau)

#### Poignée Speed (Vitesse)/Sled (Traîneau) - Moins

- Diminue la résistance du traîneau (1 ~ 100 %).
- En appuyant une fois, vous diminuez la résistance de 1 %.
- En appuyant et en maintenant le bouton enfoncé pendant deux secondes, la résistance diminuera plus rapidement.
- Parcourez les programmes et changez les valeurs en mode programmation.

#### Poignée Speed (Vitesse)/Sled (Traîneau) - Plus

- Augmente la résistance du traîneau (1 ~ 100 %).
- En appuyant une fois, vous augmentez la résistance de 1 %.
- En appuyant et en maintenant le bouton enfoncé pendant deux secondes, la résistance augmentera plus rapidement.
- Parcourez les programmes et changez les valeurs en mode programmation.

#### Poignée Speed (Vitesse)/Sled (Traîneau) - Boutons de raccourci

Lorsque le tapis de course est réglé sur le mode Sled (Traîneau), les boutons de raccourci sont programmés pour représenter

Bouton rapide 3	15 %	Bouton rapide 12	60 %
Bouton rapide 6	30 %	Bouton rapide 15	75 %
Bouton rapide 9	45 %	Bouton rapide 18	90 %

- En appuyant sur un bouton rapide, la résistance est instantanément définie sur la résistance de départ.
- Par exemple, lorsque le tapis de course est utilisé en mode Sled (Traîneau) et que l'on appuie sur le bouton 9, la résistance passe directement à 45 %.

### Fonctions spécifiques des boutons du mode Limit Speed (Vitesse limitée)

#### Poignée Speed (Vitesse)/Sled (Traîneau) - Moins

- Diminue la vitesse (0,1 ~ 2,5 km/h).
- Appuyer une fois permet de diminuer la vitesse de 0,1 km/h.
- En appuyant et en maintenant le bouton enfoncé pendant deux secondes, la vitesse diminuera plus rapidement.

#### Poignée Speed (Vitesse)/Sled (Traîneau) - Plus

- Augmente la vitesse (0,1 ~ 2,5 km/h).
- Appuyer une fois permet d'augmenter la vitesse de 0,1 km/h.
- En appuyant et en maintenant le bouton enfoncé pendant deux secondes, la vitesse augmentera plus rapidement.

#### Poignée Speed (Vitesse)/Sled (Traîneau) - Boutons de raccourci

Lorsque le tapis de course est réglé en mode Speed Limit (Vitesse limitée), les boutons de raccourci sont programmés pour représenter

Bouton rapide 3	0,6	Bouton rapide 12	1,5
Bouton rapide 6	0,9	Bouton rapide 15	1,8
Bouton rapide 9	1,2	Bouton rapide 18	2,1

- En appuyant sur un bouton rapide, la vitesse est instantanément réglée sur la vitesse de départ
- Exemple lorsque le tapis de course est utilisé en mode Limit Speed (Vitesse limitée).  
La vitesse passe de n'importe quelle vitesse à 1,2 km/h en appuyant sur le bouton de raccourci de vitesse 9.

### Fonctions spécifiques des boutons du mode Backwards (Marche à reculons)

#### Poignée Speed (Vitesse)/Sled (Traîneau) - Moins

- Diminue la vitesse (0,1 ~ 2,5 km/h).
- Appuyer une fois permet de diminuer la vitesse de 0,1 km/h.
- En appuyant et en maintenant le bouton enfoncé pendant deux secondes, la vitesse diminuera plus rapidement.

#### Poignée Speed (Vitesse)/Sled (Traîneau) - Plus

- Augmente la vitesse (0,1 ~ 2,5 km/h).
- Appuyer une fois permet d'augmenter la vitesse de 0,1 km/h.
- En appuyant et en maintenant le bouton enfoncé pendant deux secondes, la vitesse augmentera plus rapidement.

#### Poignée Speed (Vitesse)/Sled (Traîneau) - Boutons de raccourci

Lorsque le tapis de course est réglé sur la fonction du mode Backwards (MARCHE à reculons), les boutons de raccourci sont programmés pour représenter

Bouton rapide 3	0,6	Bouton rapide 12	1,5
Bouton rapide 6	0,9	Bouton rapide 15	1,8
Bouton rapide 9	1,2	Bouton rapide 18	2,1

- En appuyant sur un bouton rapide, la vitesse est instantanément réglée sur la vitesse de départ
- Exemple lorsque le tapis de course est utilisé en mode Backwards (marche à reculons).  
La vitesse passe de n'importe quelle vitesse à 1,2 km/h en appuyant sur le bouton de raccourci de vitesse 9.

## Explications des éléments de l'écran

### **Matrice à points**

La matrice à points montre le profil du programme en deux sections.

- Les 10 premières lignes représentent le réglage de l'inclinaison
- Les 10 lignes suivantes représentent le réglage de la vitesse en mode Treadmill (tapis de course).
- La résistance Sled (traîneau) lorsqu'il est en mode Sled (Traîneau).
- Affiche les données des paramètres en mode de programmation.

### **Incline (Pente)**

- Montre la vraie inclinaison du tapis de course en mode entraînement.
- Montre l'inclinaison à atteindre en mode programmation.

### **Speed (Vitesse)/Sled (Traîneau)**

Speed (Vitesse)/Sled (Traîneau) est une fenêtre partagée ayant une fonction différente selon le mode du tapis de course.

Lorsque le tapis de course est en mode fonctionnel Treadmill (tapis de course) (également vitesse limitée et marche à reculons)

- Montre la vraie vitesse du tapis de course en km/h.
- Montre la vitesse à atteindre en mode programmation.

Lorsque le tapis de course est en mode fonctionnel Sled (traîneau).

- Montre la résistance réelle du tapis de course en % en mode Sled (traîneau).
- Montre la vitesse à atteindre en mode programmation des fonctions du tapis de course.

### **Rythme cardiaque**

- Montre le rythme cardiaque mesuré en mode entraînement, ou « P » lorsqu'aucun rythme cardiaque n'est mesuré.

### **Barre de téléscripneur**

La barre de téléscripneur affiche des informations ou des instructions pour aider les utilisateurs à agir correctement lorsque le tapis de course est en mode veille.

### **Barre de téléscripneur - Section des programmes**

- Affiche la sélection de programmes en étant en mode programmes.
- Affiche « -- -- » en mode entraînement.

### **Barre de téléscripneur - Section Call/Watt (Cal/Watt)**

- Montre les calories brûlées en mode entraînement.
- Montre les calories qu'il reste à brûler en mode entraînement avec cible.
- Montre les calories brûlées à atteindre en mode programmation.
- Affiche Watt en mode Sled (traîneau).

### **Barre de téléscripneur - Section Distance**

- Montre la distance courue en mode entraînement.
- Montre la distance qu'il reste à courir en mode entraînement avec distance cible.
- Affiche la distance à atteindre en mode programmes.

### **Barre de téléscripneur - Section Time (Durée)**

- Affiche la durée courue en mode entraînement.
- Montre la durée qu'il reste à courir en mode entraînement avec durée cible.
- Montre le temps à atteindre en mode programmes.

### **Barre de téléscripneur - Section User (Utilisateur)**

- Affiche la sélection de l'utilisateur en étant en mode programmes.
- Affiche « -- -- » en mode entraînement.

## Explications des bips acoustiques à l'écran

La console a été conçue pour prévenir l'utilisateur par un bip acoustique.

Cela doit avertir l'utilisateur qu'il doit changer pour un exercice plus sûr.

La console va avertir :

- Un bouton est enfoncé.
- Lorsque vous atteignez un objectif défini à l'avance.
- Pour annoncer un changement de vitesse ou d'inclinaison en raison du programme sélectionné.

### Fonction USB

L'utilisateur peut connecter son dispositif pour le recharger pendant son entraînement.

Tension/Courant : 5VDC/1.0 A

## Fonctionnement de la console

### Quick start (Démarrage rapide)

- Appuyez sur le bouton « Start/Pause » pour commencer votre entraînement sans configurer aucun paramètre au préalable.
- Le tapis de course commencera à la vitesse minimum de 0,8 km/h et gardera le paramètre d'inclinaison actuel configuré.
- Ajustez manuellement la vitesse/pente à tout moment pour modifier votre entraînement, et arrêtez/interrompez quand vous voulez.

### Achever ou suspendre votre entraînement

- Suspendez à tout moment votre entraînement en appuyant une fois sur le bouton « Stop/Pause ».
- L'écran indiquera « PAUSE » en étant en mode pause.
- La durée max. de la pause est de 4,30 min.
- Appuyez sur le bouton « Start/Pause » pour reprendre l'entraînement en étant en mode « PAUSE ».
- Appuyez une fois sur le bouton « STOP » (Arrêt) pour interrompre la séance d'entraînement.
- Appuyez deux fois sur « STOP » (Arrêt) pour terminer la séance d'entraînement et régler la console en mode « Reset/Program » (Réinitialiser/Programme).

## Programmes Sled (traîneau)

Pour définir un programme fonctionnel Sled (traîneau), le tapis de course doit être en mode « Reset/Program selection » (Réinitialiser/Sélection de programmes).

Mettez votre tapis de course en mode Reset (réinitialisation), en appuyant deux fois sur le bouton « Stop » (arrêt).

### REMARQUE

- La console mémorise le dernier réglage utilisé comme étant votre réglage préféré et l'utilise par défaut en mode de programmation.

### Fonction Sled (traîneau) du tapis de course

Lorsque le tapis de course est utilisé en mode Sled (traîneau), il transforme l'entraînement de marche/course en entraînement de poussée de traîneau.

Dans ce mode, l'utilisateur doit mettre la bande de course en mouvement en la poussant. La résistance de la bande de course peut être augmentée en pourcentage afin d'intensifier l'entraînement.

### **Goal Distance (Distance cible)**

- Appuyez sur le bouton Distance Goal (Distance cible) pour sélectionner le programme Distance Goal (Distance cible).
- L'écran affiche la distance « 50 » par défaut, ou le dernier objectif fixé par défaut étant donné que la dernière distance fixée est mémorisée comme votre distance préférée.
- Utilisez les boutons « Plus ou Moins » pour définir l'objectif souhaité.  
± 100 m. Plage : 50 ~ 9000 m
- Appuyez sur Start (Démarrer) pour le compte à rebours et commencez votre entraînement en poussant la bande de course pour la mettre en mouvement.
- les boutons Plus ou Moins « Speed/Sled » (vitesse/traîneau) peuvent être utilisés pour modifier la résistance.
- La séance d'entraînement s'arrêtera lorsque vous aurez atteint la distance cible prédéfinie.

### **Goal Time (Durée cible)**

- Appuyez sur le bouton Goal Time (Durée cible) pour sélectionner le programme Goal Time (Durée cible).
- L'écran affiche « 30 sec. » par défaut, ou le dernier objectif fixé par défaut étant donné que la dernière durée fixée est mémorisée comme votre durée préférée.
- Utilisez les boutons « Plus ou Moins » pour définir l'objectif souhaité.  
± 5 sec. Plage : 5 ~ 990 sec.
- Appuyez sur Start (Démarrer) pour le compte à rebours et commencez votre entraînement en poussant la bande de course pour la mettre en mouvement.
- Les boutons Plus ou Moins « Speed/Sled » (vitesse/traîneau) peuvent être utilisés pour modifier la résistance, même pendant l'entraînement.
- La séance d'entraînement s'arrêtera lorsque vous aurez atteint la durée cible prédéfinie.

### **Manual (Manuel)**

- Appuyez sur le bouton Manual (Manuel) pour sélectionner le programme Manual (Manuel).
- L'écran affiche la distance « 10 % » comme Time goal (Durée cible) définie par défaut.
- Utilisez les boutons Plus ou Moins « Speed/Sled » (vitesse/traîneau) pour régler la résistance de départ souhaitée pour votre entraînement.  
± 1 % Plage : 1 ~ 100 %.
- Appuyez sur Start (Démarrer) pour le compte à rebours et commencez votre entraînement en poussant la bande de course pour la mettre en mouvement.
- Les boutons Plus ou Moins « Speed/Sled » (vitesse/traîneau) peuvent être utilisés pour modifier la résistance, même pendant l'entraînement.
- La séance d'entraînement s'arrête lorsque l'utilisateur l'interrompt manuellement.

### **Custom (Personnalisé)**

Cinq programmes personnalisés sont disponibles, à savoir C1, C2, C3, C4 et C5. Ces programmes peuvent être configurés librement selon les préférences de l'utilisateur.

- Appuyez sur le bouton Custom (Personnalisé) pour sélectionner un programme Custom (Personnalisé).
- L'écran affichera C1 par défaut, utilisez les boutons « Custom » (Personnalisé) pour sélectionner C1 ~ C5 comme vous le souhaitez et appuyez sur Enter (Entrée) pour confirmer.

- Définissez le nombre d'étapes que vous souhaitez dans votre profil. L'écran affiche la valeur par défaut du programme sélectionné. Utilisez les boutons « Plus ou Moins » pour régler le nombre d'étapes.  
Plage : 2 ~ 12 (± 1), et appuyez sur Enter (Entrée) pour confirmer.
- Réglez l'« intervalle » représentant le temps de fonctionnement actif en mode Sled (traîneau) pour chacune des étapes. L'affichage de la fréquence cardiaque indique 15 par défaut (temps en secondes).  
Utilisez les boutons « Plus ou Moins » pour régler le temps de repos en secondes.  
Plage : 15 ~ 120 (± 15), et appuyez sur Enter (Entrée) pour confirmer.
- Réglez le « temps de repos », c'est-à-dire le temps de pause entre les étapes de l'entraînement en mode Sled (traîneau). La fenêtre de fréquence cardiaque affiche 15 par défaut (temps en secondes).  
Utilisez les boutons « Plus ou Moins » pour régler le temps de repos en secondes.  
Plage : 15 ~ 120 (± 15), et appuyez sur Enter (Entrée) pour confirmer.
- Réglez le niveau de résistance pour le mode entraînement. L'écran affiche 10 % par défaut.  
Utilisez les boutons « Sled-Speed (vitesse-traîneau) Plus ou Moins » pour régler le niveau de résistance souhaité pour le premier segment de votre entraînement personnalisé.  
Plage : 1 % ~ 100 % (± 1)  
Réglez le niveau d'inclinaison et appuyez sur Enter (Entrée) pour confirmer.  
L'écran affiche 0 par défaut (temps en secondes).  
Utilisez les boutons « Incline (Pente) Plus ou Moins » pour régler le temps de repos en secondes.  
Utilisez les boutons « Incline (Pente) Plus ou Moins » pour régler le niveau d'inclinaison souhaité pour le premier segment de votre entraînement personnalisé.  
Plage : 0 ~ 15 (± 1)
- Réglez de la même manière les paramètres de toutes les étapes de votre séance d'entraînement personnalisée.
- Appuyez sur « Start » (Démarrer) pour commencer l'entraînement.

### **REMARQUE**

- Les réglages sont enregistrés automatiquement.
- Ils peuvent être modifiés en sélectionnant le même programme et en effectuant les changements souhaités.

### **Strength test (Test de force)**

Le programme Strength test (Test de force) est conçu pour mesurer la force maximale de l'utilisateur.

- Appuyez sur le bouton Strength test (Test de force) pour sélectionner le programme Strength test (Test de force).
- L'écran affiche la durée cible par défaut.
- Utilisez les boutons « Plus ou Moins » pour définir l'objectif souhaité.  
± 30 sec. Plage : 30 ~ 120 sec.
- Appuyez sur « Start » (Démarrer) pour commencer votre entraînement.  
L'appareil génère une résistance de 100 %, l'utilisateur devant faire de son mieux pour mettre la bande de course en mouvement aussi vite que possible.  
Pendant le test, les paramètres en temps réel s'affichent à l'écran.
- Après avoir atteint la durée cible fixée, la console affiche le résultat du test en termes de distance totale et de résistance moyenne calculée sur la durée totale du test.

## Programmes Treadmill (Tapis de course)

Lorsque le tapis de course est utilisé en mode Treadmill (tapis de course), il utilise le moteur interne pour entraîner la bande de course. Il s'agit de la fonction standard d'un tapis de course classique.

Pour définir un programme Treadmill (Tapis roulant), le tapis de course doit être en mode « Reset/Program selection » (Réinitialiser/ Sélection de programmes).

Mettez votre tapis de course en mode Reset (réinitialisation), en appuyant deux fois sur le bouton « Stop » (arrêt).

### REMARQUE

- La console mémorise le dernier réglage utilisé comme étant votre réglage préféré et l'utilise par défaut en mode de programmation.

### Mode limite

- Appuyez sur le bouton Limit Mode (Mode limite) pour sélectionner le programme Limit mode (Mode limite).
- Appuyez sur « Start » (Démarrer) pour commencer l'entraînement.
- Le tapis de course démarre à la vitesse de 0,1 km/h.
- les boutons Plus ou Moins « Speed (Vitesse)/Sled (Traîneau) » peuvent être utilisés pour modifier la vitesse de l'entraînement à tout moment.  
± 0,1 km/h Plage : 0,1 ~ 2,5 km/h.
- La séance d'entraînement s'arrête lorsque l'utilisateur l'interrompt manuellement.

### Programmes P1-P5

Il y a 10 programmes préprogrammés.

- P1-P3 sont des programmes à vitesse contrôlée.
- P4-P5 sont des programmes contrôlés par une combinaison de vitesse et d'inclinaison.
- Consultez : Image P1-P5 pour connaître le contenu du programme P1-P5 du tapis de course.

- Appuyez sur les boutons P1-P5 pour sélectionner le programme Limit mode (Mode limite).
- Utilisez les boutons « P1-P5 » pour sélectionner le programme de votre choix.  
L'écran affiche la distance P1 comme programme par défaut.
- Utilisez les boutons « P1-P5 » pour sélectionner le programme souhaité : P1 ~ P5,  
et appuyez sur Enter (Entrée) pour confirmer.
- Utilisez les boutons « Plus ou Moins » pour sélectionner le niveau de programme souhaité.  
L'écran affiche .L1 comme niveau de programme par défaut.
- Utilisez les boutons « Plus ou Moins » pour sélectionner le niveau souhaité : L1 ~ L4,  
et appuyez sur Enter (Entrée) pour confirmer.
- Appuyez sur « Start » (Démarrer) pour commencer l'entraînement.
- La séance d'entraînement s'arrête à la fin du programme.

### Comportement du programme P1 ~ P5

- La durée du programme est fixée à 36 minutes.  
Chaque minute, le profil passe au segment de programme suivant, et recommence à la fin de chaque segment.  
Vous pouvez modifier la vitesse et l'inclinaison à tout moment. Le programme reprendra automatiquement son profil lors du passage à l'étape suivante.
- La séance d'entraînement s'arrête à la fin du programme.

### Programmes P6 - P10

Il y a 10 programmes préprogrammés.

- P6~P10 sont des programmes contrôlés par l'inclinaison.
- Consultez : Image P6-P10 pour connaître le contenu du programme P6-P10 du tapis de course.
- Appuyez sur les boutons P6-P10 pour sélectionner le programme Limit mode (Mode limite).
- Utilisez les boutons « Plus ou Moins » pour sélectionner le programme de votre choix.  
L'écran affiche la distance P1 comme programme par défaut.
- Utilisez les boutons « Plus ou Moins » pour sélectionner le programme souhaité : P6 ~ P10,  
et appuyez sur Enter (Entrée) pour confirmer.
- Utilisez les boutons « Plus ou Moins » pour sélectionner le niveau de programme souhaité.  
L'écran affiche .L1 comme niveau de programme par défaut.
- Utilisez les boutons « Plus ou Moins » pour sélectionner le niveau souhaité : L1 ~ L4,  
et appuyez sur Enter (Entrée) pour confirmer.
- Appuyez sur « Start » (Démarrer) pour commencer l'entraînement.

### Comportement du programme P6 ~ P8

- La durée du programme est fixée à 36 minutes.  
Chaque minute, le profil passe au segment de programme suivant, et recommence à la fin de chaque segment.  
Vous pouvez modifier la vitesse et l'inclinaison à tout moment. Le programme reprendra automatiquement son profil lors du passage à l'étape suivante.
- La séance d'entraînement s'arrête à la fin du programme.

### Comportement du programme P9 - P10

- La durée du programme est fixée à 5 km pour P9 et à 10 km pour P10.  
Tous les 200 mètres, le profil passe au segment de programme suivant et recommence à la fin de chaque segment.  
Vous pouvez modifier la vitesse et l'inclinaison à tout moment.
- La séance d'entraînement s'arrête à la fin du programme.

### User (Utilisateur)

- Appuyez sur le bouton « User » (Utilisateur) pour sélectionner/configurer un programme User (Utilisateur).  
L'écran affiche U1 par défaut.
- Utilisez les boutons « User » (Utilisateur) pour sélectionner l'utilisateur souhaité : U1 ~ U5,  
et appuyez sur Enter (Entrée) pour confirmer.

### Définir les données de l'utilisateur

- Réglez votre genre, l'écran affiche (homme) ou (femme).  
Utilisez les boutons « Plus ou Moins » pour sélectionner le genre correct  
et appuyez sur Enter (Entrée) pour confirmer.
- L'écran affiche « Age » (âge), pour régler votre âge.  
L'écran affiche « 30 » comme valeur par défaut ou comme dernier âge réglé.  
Utilisez les boutons « Plus ou Moins » pour régler l'âge correct  
± 1 Plage : 15 ~ 80 ans et appuyez sur Enter (Entrée) pour confirmer.
- L'écran affiche « Height » (taille), pour régler votre taille.  
L'écran affiche 170 (cm) par défaut, ou la dernière taille réglée.  
Utilisez les boutons « Plus ou Moins » pour régler la taille correcte  
± 1 Plage : 100 ~ 220 (cm) et appuyez sur Enter (Entrée) pour confirmer.

- L'écran affiche « Weight » (Poids) pour régler votre poids corporel. L'écran affiche 75 (kg) par défaut ou le dernier poids réglé. Utilisez les boutons « Plus ou Moins » pour régler le poids correct  $\pm 1$  Plage : 30 ~ 150 (kg) et appuyez sur Enter (Entrée) pour confirmer.
- La fenêtre Pulse affiche l'indice d'IMC personnel en fonction des paramètres définis par l'utilisateur.

### Définir le profil du programme de l'utilisateur.

- Appuyez sur le bouton Enter (Entrée) pour ouvrir le menu de réglage de votre profil de programme d'utilisateur.
- L'écran de la fréquence cardiaque indique : 1 pour vous informer des réglages de vitesse et d'inclinaison pour la première étape de votre profil sur 12 étapes.
- Réglez la vitesse souhaitée pour le premier segment du programme d'utilisateur à l'aide des boutons Speed Up/Down (Augmenter/diminuer la vitesse). Réglez l'inclinaison souhaitée pour le premier segment du programme d'utilisateur à l'aide des boutons Incline Up/Down (Augmenter/diminuer la pente). Confirmez en appuyant sur Enter (Entrée).
- L'écran de la fréquence cardiaque indique 2 Réglez les 12 segments de votre profil de programme.
- L'écran affiche l'objectif de temps « 35 » min. Utilisez le bouton +/- pour modifier l'objectif de temps.  $\pm 1$  Plage : 1 ~ 99 Appuyez sur « Start » (Démarrer) pour commencer l'entraînement.

### HRC (CONTRÔLE DU RYTHME CARDIAQUE)

#### REMARQUE

- La fréquence cardiaque suggérée est basée sur la fréquence cardiaque maximale de l'utilisateur, calculée en fonction de l'âge de l'utilisateur et de sa condition physique : 220 - âge.
  - Le réglage minimal de la FC est de 50 % de la FC maximale de l'utilisateur.
  - L'objectif de RH maximale est fixé à 100 % de la FC max. de l'utilisateur.
- Appuyez sur le bouton HRC pour sélectionner le programme HRC.
  - Réglez l'âge de l'utilisateur à l'aide des boutons « Plus ou Moins », confirmez en appuyant sur le bouton « Enter » (Entrée).
  - Réglez l'objectif de fréquence cardiaque souhaité en utilisant les boutons « Plus ou Moins » et appuyez sur Enter (Entrée) pour confirmer (la limite maximale est déterminée par l'âge (220 - âge)).
  - Appuyez sur « Start » (Démarrer) pour commencer l'entraînement.
  - La séance d'entraînement s'arrête après un compte à rebours de 30 minutes.

Le tapis de course s'arrête au bout de  $\pm 30$  secondes si aucune fréquence cardiaque n'est mesurée.

### Goal Training (Entraînement cible)

- Il existe respectivement 3 programmes Goal Training (Entraînement cible) : Goal Distance (Distance cible), Goal Time (Durée cible), Goal Calories (Calories cibles).

Appuyez deux fois sur le bouton Goal Training (Entraînement cible) pour ouvrir Goal Time (Durée cible).

Appuyez trois fois sur le bouton Goal Training (Entraînement cible) pour ouvrir Goal Calories (Calories cibles).

### Goal Distance (Distance cible)

- Appuyez une fois sur le bouton Goal Training (Entraînement cible) pour ouvrir Goal Distance (Distance cible).
- L'écran affiche la distance « 0.1 » (km) par défaut ou le dernier objectif fixé par défaut. Utilisez les boutons « Plus ou Moins » pour fixer l'objectif souhaité.  $\pm 0,1$  km Plage : 0,1 ~ 99,9 km. Appuyez sur le bouton « Plus ou Moins » et maintenez-le enfoncé pour un réglage rapide  $\pm 1,0$  km.
- Appuyez sur « Start » (Démarrer) pour commencer l'entraînement.
- La séance d'entraînement s'arrête lorsque l'objectif de distance fixé est atteint.

### Goal Time (Durée cible)

- Appuyez deux fois sur le bouton Goal Training (Entraînement cible) pour ouvrir Goal Time (Durée cible).
- L'écran affiche la durée « 1 » (min) par défaut, ou le dernier objectif fixé par défaut étant donné que la dernière durée fixée est mémorisée comme votre durée préférée.
- Utilisez les boutons « Plus ou Moins » pour définir l'objectif souhaité. Plage : 1 ~ 99 min. Appuyez sur le bouton « Plus ou Moins » et maintenez-le enfoncé pour un réglage rapide  $\pm 1$  min. Appuyez sur « Start » (Démarrer) pour commencer votre séance d'entraînement.
- La séance d'entraînement s'arrête lorsque l'objectif de temps fixé est atteint.

### Goal Calories (Calories cibles)

- Appuyez trois fois sur le bouton Goal Training (Entraînement cible) pour ouvrir Goal Calories (Calories cibles).
- L'écran affiche « 10 » (Cal) par défaut, ou le dernier objectif fixé par défaut étant donné que la dernière valeur fixée est mémorisée comme votre valeur préférée.
- Utilisez les boutons « Plus ou Moins » pour définir l'objectif souhaité.  $\pm 1$  Cal. Plage : 10 ~ 999 Cal. Appuyez sur le bouton « Plus ou Moins » et maintenez-le enfoncé  $\pm 10$  Cal.
- Appuyez sur « Start » (Démarrer) pour commencer l'entraînement.
- La séance d'entraînement s'arrête lorsque l'objectif de calories fixé est atteint.

### Marche à reculons

La fonction Backward (Marche à reculons) permet de faire bouger le tapis de course en marche arrière. Vous pouvez ainsi faire un exercice de marche à reculons.

Vous pouvez également vous retourner et utiliser cette fonction pour marcher vers l'avant sur une forte inclinaison.

- Appuyez sur le bouton Backward (Marche à reculons) pour sélectionner le programme du mode Backward (Marche à reculons).
- Appuyez sur « Start » (Démarrer) pour commencer l'entraînement.
- Le tapis de course démarre à la vitesse de 0,1 km/h en marche arrière.
- les boutons Plus ou Moins « Speed (Vitesse)/Sled (Traîneau) » peuvent être utilisés pour modifier la vitesse de l'entraînement à tout moment.  $\pm 0,1$  km/h Plage : 0,1 ~ 2,5 km/h.
- La séance d'entraînement s'arrête lorsque l'utilisateur l'interrompt manuellement.



## Bluetooth & APP

- Cette console peut être connectée à l'APP sur l'appareil intelligent via Bluetooth.  
(iOS & Android)
- Établissez la connexion Bluetooth uniquement via le mode de connexion sur l'application installée sur votre périphérique intelligent.

### NOTE

- Tunturi vous fournit seulement la possibilité de raccorder votre console de fitness via une connexion Bluetooth. Par conséquent, Tunturi ne peut être tenu responsable des dommages ou du mauvais fonctionnement des produits autres que ceux de Tunturi.
- Consultez le site Web pour plus d'informations.

## Nettoyage et maintenance

### AVERTISSEMENT

- Votre appareil d'entraînement nécessite un entretien mensuel, même lorsqu'il n'est pas utilisé.
  - Avant le nettoyage et la maintenance, retirez la fiche secteur de la prise murale.
  - N'utilisez aucun solvant pour nettoyer l'équipement.
- Ne bloquez pas les ouvertures de ventilation. Débarrassez les ouvertures de ventilation de toute poussière, salissure ou obstruction.
  - Nettoyez l'équipement avec un chiffon doux et absorbant après chaque usage.
  - Nettoyez les parties visibles de l'équipement avec un aspirateur doté d'un petit suceur.
  - Vérifiez régulièrement le serrage de tous les écrous et vis.

### ATTENTION

- Nous vous recommandons d'utiliser uniquement des chaussures d'intérieur sur votre tapis de course. Si vous n'en avez pas, nous vous recommandons de vérifier la propreté des semelles de vos chaussures avant de les utiliser sur votre tapis de course, car le tapis de course ne supporte pas la saleté de l'extérieur.

## Nettoyage général

Les saletés, la poussière et les poils d'animaux peuvent bloquer les entrées d'air et s'accumuler sur le tapis. Tous les mois : passez l'aspirateur sous le tapis de course pour éviter l'accumulation.  
DEBRANCHEZ L'APPAREIL AVANT LE NETTOYAGE

## Poussière de tapis

Le tapis dégage de la poussière lors d'un rodage normal jusqu'à ce que le tapis se stabilise. Essayez la poussière à l'aide d'un chiffon humide pour éviter qu'elle s'accumule.

## Tapis et surface

Votre tapis de course utilise planche à basse friction très efficace. Les performances sont maximisées lorsque la plateforme de course est maintenue propre et exempte de poussière et de saleté. Les particules de saleté et de poussière entre la plateforme de course et le tapis de course endommagent la surface de la plateforme de course, ce qui affecte les performances et la durée de vie du produit.

## Comment nettoyer la plateforme de course

Utilisez un chiffon doux et sec pour essuyer le bord du tapis et la zone située entre le bord du tapis et le cadre. Essayez également de passer la main sous les bords du tapis de course pour enlever la saleté accumulée sur les bords.

## Comment nettoyer la surface de du tapis de course

Utilisez tout d'abord une brosse à récurer en nylon pour éliminer les particules détachées du tapis de course. Utilisez ensuite un chiffon humide essoré (sans nettoyant ni abrasif) pour nettoyer délicatement la surface du tapis de course. Laissez le tapis sécher complètement avant de l'utiliser.

### REMARQUE

- Lorsque votre tapis est trop sale pour être nettoyé uniquement à l'eau, vous pouvez utiliser un savon doux, mais jamais un solvant lubrifiant.
- Veillez à ce que la solution se trouve à tout moment entre la plateforme de course et le tapis de course.

Cette opération doit être effectuée régulièrement pour prolonger la durée de vie de lu tapis et de la plateforme de course.

## Lubrification (Fig. F-6)

### REMARQUE

- La bande de course du tapis de course est pré lubrifiée avant d'être montée sur votre tapis pendant la production de l'appareil. Il n'est donc pas nécessaire de la lubrifier lors de la première utilisation.

L'état de lubrification du tapis de course doit régulièrement être vérifié. C'est pourquoi le tapis de course est muni d'une fonction de rappel toutes les 300 km La « TIME WINDOW » affichera « OIL » et diffusera un bip toutes les 10 secondes pour vous le rappeler. Suivez la procédure de vérification ci-dessous et supprimez le message « OIL » ainsi que le signal sonore en maintenant enfoncé le bouton « START » pendant au moins 3 secondes pendant le signal d'alarme.

### AVERTISSEMENT

- Avant la lubrification, retirez la fiche secteur de la prise murale.

### PRÉCAUTION

- Nous vous recommandons de vérifier le graissage de la bande en cours d'exécution au moins une fois par mois, car davantage de facteurs que le temps peuvent être déterminants pour l'état du lubrifiant.
- Lubrifiez le tapis roulant uniquement si c'est nécessaire. Une lubrification excessive peut faire patiner le tapis roulant du fait du manque de friction.

- Tenez-vous fermement sur le tapis roulant.
- Serrez le guidon avant et poussez le tapis roulant avec vos pieds afin de lui imprimer un mouvement avant-arrière. Le tapis roulant doit rouler régulièrement et silencieusement.
- Si le tapis roulant ne roule pas régulièrement et silencieusement ou s'il ne roule pas du tout, touchez la partie inférieure du tapis roulant avec vos doigts pour vérifier la lubrification.
  - Si vous sentez le lubrifiant ou si vos doigts sont brillants, le tapis est suffisamment lubrifié.
  - Si vous ne sentez pas le lubrifiant ou si vos doigts sont poussiéreux ou rugueux, appliquez du lubrifiant ( $\pm 10$  ml.) au milieu du plateau roulant sous le tapis roulant et laissez l'équipement fonctionner à 5 km/h durant au moins 5 minutes.

- Après la lubrification, ne pliez pas l'équipement avant d'avoir effectué un entraînement de 2 minutes à une vitesse d'au moins 5 km/h.

Le lubrifiant sera ainsi entièrement absorbé par le tapis de course et sera réparti uniformément.

#### REMARQUE

- Si 5 km/h est trop rapide pour vous, marchez à la vitesse souhaitée, mais prolongez la durée de la marche pendant au moins 5 minutes.



Cliquez pour voir notre vidéo YouTube d'assistance  
<https://youtu.be/ceaOYnofY5k>

### Réglages de la courroie de course

Le niveau de performance de votre tapis de course dépend de la planéité de la surface sur laquelle il fonctionne. Lorsque le châssis n'est pas horizontal, le rouleau avant et le rouleau arrière ne peuvent pas rester parallèles et le tapis devra être centré sans cesse.

Cet appareil est conçu de façon à ce que le tapis reste raisonnablement centré lorsqu'il est en service. Il est normal que certains tapis ont tendance à dériver lorsque personne ne se trouve dessus. Après quelques minutes, le tapis devrait se centrer automatiquement. Si le tapis continue à dériver, il faudra le centrer.

#### EXCEPTION

Lors d'une rééducation, pendant laquelle l'utilisateur marche sur une jambe plus forte que l'autre, il se peut que le tapis dérive. Dans de tels cas, vous ne devez pas centrer le tapis, à moins que le tapis ne se centre pas automatiquement dans des conditions d'utilisation normales.

### Réglage de la tension de la courroie

- Serrez les boulons du rouleau arrière (dans le sens des aiguilles d'une montre) juste assez pour empêcher que le tapis patine sur le rouleau avant. Tournez les deux boulons de réglage de la tension du tapis par incréments d'un quart de tour et contrôlez la tension en marchant lentement sur le tapis et en vous assurant que celui-ci ne patine pas. Continuez à serrer les boulons jusqu'à ce que le tapis cesse de patiner.
- Si vous avez l'impression que le tapis est assez serré mais patine encore, le problème provient peut-être d'une courroie de transmission lâche sous le capot avant.
- Ne serrez pas trop: Un serrage excessif peut endommager le tapis et entraîner une défaillance prématurée des roulements.



Cliquez pour voir notre vidéo YouTube d'assistance  
[https://youtu.be/pp4\\_4bL1MXo](https://youtu.be/pp4_4bL1MXo)

### Centrage du tapis de course (fig. F-5)

Le centrage du tapis de course est nécessaire lorsque votre tapis de course ne suit pas le centre de votre surface de course. Cela se remarque facilement lorsque l'écart entre le rail latéral et le tapis de course est nettement plus grand d'un côté que de l'autre. Cela peut être causé par ce qui suit :

#### CAUSE 1

Vous utilisez une jambe plus puissante lors des poussées pendant votre entraînement. Le tapis est alors poussé sur le côté, mais cela se corrige automatiquement en laissant le tapis en marche sans charge pendant quelques minutes.

#### CAUSE 2

Votre tapis de course n'est pas à l'horizontale, où la gravité tire lentement le tapis de course vers l'extrémité la plus basse du tapis de course. Ceci doit être corrigé en mettant le tapis roulant à niveau correctement, car ce problème ne peut être résolu par aucun autre réglage.

#### CAUSE 3

Le tapis de course n'est pas correctement centré entre les tambours à rouleaux avant et arrière. Cela doit être corrigé en ajustant le suivi du tapis de course comme décrit ci-dessous.

Pour régler l'alignement du tapis de course, utilisez la clé Allen fournie avec votre tapis de course.

- Réglez votre tapis de course à une vitesse de  $\pm 5$  km/h, sans courir dessus.
- Lorsque le tapis de course se déplace vers le côté droit.  
Tournez d'un quart de tour dans le sens inverse des aiguilles d'une montre la vis de réglage du rouleau arrière gauche, située à l'extrémité arrière dans une douille du couvercle du rouleau arrière.
- Lorsque le tapis de course se déplace vers le côté gauche.  
Tournez d'un quart de tour dans le sens inverse des aiguilles d'une montre la vis de réglage du rouleau arrière droit, située à l'extrémité arrière dans une douille du couvercle du rouleau arrière.
- Attendez  $\pm 2$  minutes pour laisser au tapis de course le temps de réagir au réglage avant de répéter les étapes de réglage si nécessaire pour obtenir le résultat souhaité.

#### REMARQUE

- Rappelez-vous qu'un petit ajustement peut faire une grande différence, alors faites les réglages par petites étapes à la fois.



Cliquez pour voir notre vidéo YouTube d'assistance  
<https://youtu.be/qx5AvTv00J4>

Il se peut que vous deviez centrer le tapis de temps en temps en fonction de l'utilisation et de votre façon de marcher/de courir. Pour certains utilisateurs, le centrage se fera d'une façon différente. Attendez-vous à procéder aux ajustements nécessaires au centrage du tapis. Au fur et à mesure que le tapis est utilisé, ces ajustements vous causeront moins de soucis. Il est de la responsabilité de tout propriétaire de bien centrer son tapis de course.

#### NOTE

- Les dommages causés au tapis résultant d'un mauvais centrage / réglage de la tension ne sont pas couverts par la garantie.

### Defauts de fonctionnement

En dépit d'un contrôle continu de la qualité, l'appareil peut présenter des défauts ou des anomalies de fonctionnement provenant de certains de ses composants. Dans ce cas, il n'est pas cependant nécessaire d'aller faire réparer votre appareil, le problème pouvant bien souvent être résolu par simple changement de la pièce défectueuse.

Contactez votre distributeur au cas où vous remarqueriez un défaut ou un mauvais fonctionnement de votre l'appareil ou si vous avez besoin de pièces de rechange. Indiquez-lui la nature du problème, les conditions d'utilisation, la date d'achat, le modèle et le numéro de série.

Vous trouverez la liste des pièces détachées à la fin de ce mode d'emploi. Seules des pièces mentionnées dans la liste des pièces de rechange peuvent être utilisées dans l'appareil.

## Codes d'erreur

Si l'affichage indique un code d'erreur ("E" + un nombre), redémarrez l'équipement et vérifiez si le code d'erreur s'affiche toujours. Si le code d'erreur persiste, contactez immédiatement le revendeur.

## Oil / Lubrication

OIL n'est pas un code d'erreur, voir «Lubrification».

## Cracking or wringing sound at low speed

When the running belt makes a cracking/ wringing noise when you put your body weight on the running belt during workout, the belt lubrication must be checked and most likely some lubricant is required. This problem mostly happens in the "Limit speed" mode or "Backward walking", as in these modes the running belt operation speeds can be set below 0.5 km/h. See section "Lubrication" for more details on how to check and apply the lubricant status of your running belt.

## Transport et rangement

### AVERTISSEMENT

- Avant le nettoyage et la maintenance, retirez la fiche secteur de la prise murale.
  - Deux personnes au moins sont nécessaires pour transporter et déplacer l'équipement.
  - Assurez-vous que rien, ni personne ne se trouve sous l'équipement.
- Déplacez l'appareil comme indiqué (fig. F7).
- Retirez le cordon d'alimentation avant de déplacer le tapis de course afin d'éviter que le cordon d'alimentation ne soit coincé par les roues et qu'elles n'endommagent le cordon d'alimentation ou l'insert de la fiche d'alimentation.
- Les roues situées sous le tapis de course sont conçues pour le transporter, mais sachez qu'il est extrêmement lourd.
- En raison du poids du tapis de course, il est recommandé de le transporter uniquement sur des surfaces planes, solides et propres, afin d'éviter d'endommager les roues.

## Garantie

### Garantie du propriétaire d'un équipement de Tunturi

#### Conditions de garantie

Le consommateur est protégé par la législation en vigueur concernant le commerce des biens de consommation. Cette garantie ne limite pas ces droits. La Garantie de l'acheteur n'est valide que si le produit est utilisé dans l'environnement préconisé par la société Tunturi New Fitness BV, et est conservé tel que cela est indiqué pour cet équipement donné. L'environnement approuvé spécifique au produit et les instructions d'entretien sont indiqués dans le « manuel d'utilisation » du produit. Le « manuel d'utilisation » peut être téléchargé sur notre site Web. <http://manuals.tunturi.com>

#### Conditions de garantie

Les conditions de garantie sont applicables à compter de la date d'achat et peuvent varier selon les pays. Demandez conseil à votre revendeur.

## Étendue de la garantie

En aucun cas Tunturi New Fitness BV, le revendeur ou le distributeur Tunturi ne répondra des éventuels dommages spéciaux, indirects, secondaires ou consécutifs, de quelque nature que ce soit, liés à l'utilisation de ou à l'inaptitude à utiliser cet équipement.

## Restrictions de garantie

La garantie couvre les défauts de fabrication et de matériaux dans un équipement d'origine, sorti d'usine et conditionné par Tunturi New Fitness BV. La garantie couvre uniquement les défauts apparaissant lors d'une utilisation normale et conforme aux instructions du manuel du propriétaire, à condition que les instructions de montage, de maintenance et d'utilisation établies par Tunturi New Fitness BV aient été respectées. Tunturi New Fitness BV et les revendeurs Tunturi ne répondent pas des défauts occasionnés par des conditions indépendantes de leur volonté. La garantie est applicable uniquement au premier acheteur et est valable uniquement dans les pays où Tunturi New Fitness BV dispose d'un distributeur agréé. La garantie ne s'étend pas aux équipements de fitness ou aux pièces qui ont été modifiées sans l'autorisation de Tunturi New Fitness BV. La garantie ne s'applique pas aux défauts provenant d'une usure normale, d'une utilisation inadaptée, d'une utilisation dans des conditions non prévues par le fabricant, de la corrosion ou d'un dommage intervenu lors du chargement ou du transport.

La garantie ne couvre pas les sons ou les bruits émis par l'équipement s'ils ne gênent pas son utilisation et s'ils ne sont pas provoqués par un dysfonctionnement.

La garantie ne couvre pas non plus les mesures de maintenance, telles que le nettoyage, la lubrification ou la vérification normale des pièces, ni les actions que le client peut effectuer lui-même et qui n'exigent pas particulièrement de monter/ démonter l'équipement. Ces actions sont par exemple le changement des compteurs, des pédales ou autres pièces similaires faciles à changer. Seules les réparations sous garantie effectuées par un revendeur ou par le distributeur agréé Tunturi seront prises en charge. Le non-respect des instructions décrites dans le Manuel de l'Utilisateur entraînera l'annulation de la garantie.

## Données techniques

Paramètre	Unité de mesure	Valeur
Tension secteur	VCA	210~240
Fréquence secteur	HZ	50~60
Vitesse	Km/H	0.1~20.0
Inclinaison	Étape	0~15
Longueur	Inch	196.0
Largeur	Cm	88.0
Hauteur	Cm	154.7
Poids	Kg	155.8
Poids maxi utilisateur	Kb	150
Mesure de la fréquence cardiaque disponible via:	Contact avec la poignée 5.3~ 5.4 Khz. BLE BT ANT+	Oui Oui Oui Non

### REMARQUE

- Pour connaître les dimensions du produit et les dimensions fonctionnelles, veuillez consulter la figure G.

## **Déclaration du fabricant**

---

Tunturi Fitness BV déclare que le produit est conforme aux directives et normes suivantes : EN-957- (SA), 2014/30/EU.  
Ce produit porte donc la marque CE.

03-2023

Tunturi New Fitness BV  
Purmerweg 1  
1311 XE Almere  
Pays-Bas

## **Limite de responsabilité**

---

© 2023 Tunturi New Fitness BV  
Tous les droits réservés.

- Le produit et le manuel sont sujets à modifications.
- Les spécifications peuvent changer sans préavis.
- Consultez notre site Web pour obtenir la dernière version du manuel d'utilisation.

## Nederlands

Deze Nederlandse handleiding is een vertaling van de Engelse tekst. Aan deze vertaling kunnen geen rechten ontleend worden. De originele Engelse tekst blijft leidend.

## Inhoud

<b>Welkom.....</b>	<b>69</b>
<b>Veiligheidswaarschuwingen.....</b>	<b>70</b>
Elektrische veiligheid.....	70
<b>Montage instructies.....</b>	<b>70</b>
Beschrijving afbeelding A.....	70
Beschrijving afbeelding B.....	71
Beschrijving afbeelding C.....	71
Beschrijving afbeelding D.....	71
Bouten en moeren aandraaien.....	71
Aanvullende informatie.....	71
Vrije trainingsruimte (Fig. D-0).....	71
<b>Trainingen.....</b>	<b>71</b>
Instructies.....	71
Hartslag.....	72
<b>Gebruik.....</b>	<b>73</b>
Afstellen van de steunvoeten.....	73
Core-bar (Kernstang).....	73
Bungee-weerstandsband.....	74
<b>Monitor (fig E-1).....</b>	<b>74</b>
Toetsen.....	74
Specifieke functies van sledemodustoetsen.....	75
Specifieke functies van de toets voor de modus Limit Speed (snelheid begrenzen).....	75
Specifieke functies van de achteruittoets.....	75
Uitleg van de items op het display.....	75
Uitleg van het geluidssignaal van het display.....	76
USB-functie.....	76
<b>Bediening van de console.....</b>	<b>76</b>
Snelle start.....	76
Je workout beëindigen of pauzeren.....	76
<b>Sled Programs (sledeprogramma's).....</b>	<b>76</b>
Treadmill Sled function (loopbandsledefunctie).....	76
Goal Distance (Doelstelling afstand).....	76
Goal Time (Doelstelling tijd).....	76
Manual (handmatig).....	76
Custom (gepersonaliseerd).....	77
Strength test (krachttest).....	77
<b>Treadmill programs (loopbandprogramma's).....</b>	<b>77</b>
Limit mode (modus limiet).....	77
Programma's P1-P5.....	77
Programma's P6 - P10.....	78
User (gebruiker).....	78
HRC (Heart Rate Control).....	78
Goal Training (Doelstelling training).....	79
Backward walking (achteruit lopen).....	79
Bluetooth & APP.....	79

<b>Reiniging en onderhoud.....</b>	<b>79</b>
Algemene reiniging.....	79
Band en loopvlak.....	80
Smeren (Fig. F-6).....	80
Bandafstellingen.....	80
Bandafstellingen.....	80
<b>Gebruiksstorings.....</b>	<b>81</b>
Foutcodes.....	81
Oil / Lubrication.....	81
Cracking or wringing sound at low speed.....	81
Transport en opslag.....	81
<b>Garantie.....</b>	<b>82</b>
<b>Technische gegevens.....</b>	<b>82</b>
<b>Verklaring van de fabrikant.....</b>	<b>82</b>
<b>Disclaimer.....</b>	<b>82</b>

## Welkom

Welkom in de wereld van Tunturi Fitness!

Hartelijk dank voor uw aankoop van dit Tunturi-toestel. Tunturi biedt een grote verscheidenheid aan professionele toestellen zoals crosstrainers, loopbanden, fietstrainers, roeimachines, krachtbanken, multistations en accessoires. Het Tunturi-toestel is geschikt voor de hele familie, onafhankelijk van de conditie. Meer informatie vindt u op de website [www.tunturi.com](http://www.tunturi.com)

### Belangrijke Informatie

Deze gids is een essentieel onderdeel van uw Tunturi looptrainer. Lees deze gids zorgvuldig door vóórdat u begint met monteren, gebruiken of onderhouden van uw looptrainer. Bewaar de gids op een handige plaats. U kunt er, nu en in de toekomst, nuttige informatie uithalen die u nodig heeft voor het gebruik en het onderhoud van de apparatuur. Volg de instructies altijd met zorg op.

## Veiligheidswaarschuwingen

---

### ⚠ WAARSCHUWING

- Lees de veiligheid-waarschuwingen en de instructies. Het niet opvolgen van de veiligheid-waarschuwingen en de instructies kan persoonlijk letsel of beschadiging van het toestel veroorzaken. Bewaar de veiligheid-waarschuwingen en instructies voor toekomstig gebruik.

### ⚠ WAARSCHUWING

- Hartslag-bewakingssystemen kunnen onnauwkeurig zijn. Overmatig trainen kan leiden tot ernstig letsel of de dood. Als u zich duizelig voelt, stop dan onmiddellijk met trainen.
- Het toestel is uitsluitend geschikt voor huishoudelijk en professioneel gebruik (bijv. ziekenhuizen, brandweerkazernes, hotels, scholen, etc.).
  - Het gebruik van dit toestel door kinderen of personen met fysieke, sensorische, geestelijke of motorische handicaps, of met gebrek aan ervaring en kennis kan gevaar veroorzaken. De personen die verantwoordelijk zijn voor hun veiligheid moeten uitdrukkelijke instructies geven of toezicht houden op het gebruik van het toestel.
  - Als u misselijkheid, duizeligheid of andere abnormale symptomen ervaart, stop dan onmiddellijk met uw training en raadpleeg een arts.
  - Om spierpijn en te zware belasting te voorkomen, moet u elke training beginnen met een warming-up en eindigen met een cooling-down. Vergeet niet om uw spieren te strekken aan het einde van de training.
  - Het toestel is uitsluitend geschikt voor gebruik binnenshuis. Het toestel is niet geschikt voor gebruik buitenshuis.
  - Gebruik het toestel alleen in een omgeving met voldoende ventilatie. Gebruik het toestel niet in een tochtige omgeving om geen kou te vatten.
  - Gebruik het toestel alleen in een omgeving met een omgevingstemperatuur tussen 10 °C~35 °C. Berg het toestel alleen op bij een omgevingstemperatuur tussen 5 °C~45 °C.
  - Gebruik het toestel niet in een vochtige omgeving. Berg het toestel niet op in een vochtige omgeving. De luchtvochtigheid mag nooit meer zijn dan 80%.
  - Gebruik het toestel alleen voor het doel waarvoor het gemaakt is. Gebruik het toestel niet voor andere doelstellingen dan beschreven in de handleiding.
  - Gebruik het toestel niet als een onderdeel is beschadigd of niet goed werkt. Raadpleeg uw dealer als een onderdeel is beschadigd of niet goed werkt.
  - Houd uw handen, voeten en andere lichaamsdelen uit de buurt van de bewegende delen.
  - Houd uw haar uit de buurt van de bewegende delen.
  - Draag geschikte kleding en schoenen.
  - Houd kleding, sieraden en andere voorwerpen uit de buurt van de bewegende delen.
  - Zorg ervoor dat het toestel slechts door één persoon tegelijk wordt gebruikt. Het toestel mag niet worden gebruikt door personen die meer dan 150 kg (330 lbs) wegen.
  - Maak het toestel niet open zonder eerst uw dealer te raadplegen.

## Elektrische veiligheid

(Uitsluitend voor toestellen met elektrisch vermogen)

- Controleer voor gebruik altijd of de netspanning gelijk is aan de spanning op het typeplaatje van het toestel.
- Gebruik geen verlengsnoer.
- Houd het snoer uit de buurt van warmte, olie en scherpe randen.
- Verander of wijzig het snoer of de stekker niet.
- Gebruik het toestel niet als het snoer of de stekker beschadigd is of niet goed werkt. Als het snoer of de stekker is beschadigd of niet goed werkt, raadpleeg dan uw dealer.
- Rol het snoer altijd helemaal uit.
- Laat het snoer niet onder het toestel door lopen. Laat het snoer niet onder een kleed door lopen. Plaats geen voorwerpen op het snoer.
- Zorg ervoor dat het snoer niet over de rand van een tafel hangt. Zorg ervoor dat niemand per ongeluk achter het snoer kan blijven haken of erover kan struikelen.
- Laat het toestel niet onbewaakt achter wanneer de stekker in het stopcontact zit.
- Trek niet aan het snoer als u de stekker uit het stopcontact wilt halen.
- Verwijder de stekker uit het stopcontact wanneer het toestel niet in gebruik is, vóór montage of demontage en vóór reiniging en onderhoud.

### ⚠ WAARSCHUWING

- Als het voltage varieert met tien (10) procent, kan dit de prestaties van de loopband negatief beïnvloeden. Dergelijke omstandigheden vallen niet onder de garantie. Als u vermoedt dat het voltage te laag is, neemt u contact op met het lokale energiebedrijf of een bevoegd elektricien voor het uitvoeren van een test.

### ⚠ WAARSCHUWING

- Houd het stroom snoer uit de buurt van bewegende onderdelen van de loopband, inclusief het helling-mechanisme en de transportwielletjes.

## Aardingsinstructies

Dit product moet worden geaard. Als het elektrische systeem van de loopband niet goed/niet meer werkt, vormt aarding een pad van minste weerstand voor elektrische stroom, waardoor het risico van een elektrische schok afneemt. Dit product is voorzien van een koord met een aardingsstekker. De stekker moet in een geschikt stopcontact worden geplaatst dat op juiste wijze is gemonteerd en geaard in overeenstemming met alle lokale normen en verordeningen.

### ⚠ WAARSCHUWING

- Onjuiste aansluiting van de aardingsgeleider kan resulteren in risico van een elektrische schok. Neem contact op met een bevoegd elektricien of onderhoudsmonteur als u niet zeker weet of het product goed is geaard. Pas de stekker die met het product wordt geleverd niet aan wanneer het niet in het stopcontact past. Laat een geschikt stopcontact installeren door een bevoegd elektricien.

## Montage instructies

---

### Beschrijving afbeelding A

De illustratie laat zien hoe de trainer er na de montage uitziet. U kunt dit als referentie gebruiken tijdens de montage, maar volg de montageschappen altijd in de juiste volgorde, zoals aangegeven op de afbeeldingen.

### Beschrijving afbeelding B

De illustratie laat zien welke componenten en onderdelen er in uw pakket moeten zitten.

#### ⚠️ OPMERKING

- Kleine onderdelen kunnen soms enigszins verborgen verpakt zitten in holle ruimtes in het beschermende piepschuimmateriaal om het product.
- Raadpleeg uw dealer als een onderdeel ontbreekt.

### Beschrijving afbeelding C

De afbeelding toont de hardwarekit die bij uw product wordt geleverd. De hardwarekit bevat bouten, ringen, schroeven, moeren etc. en het benodigde gereedschap om uw trainer op de juiste manier te monteren.

### Beschrijving afbeelding D

Op de afbeeldingen staat aangegeven in welke volgorde de trainer moet worden gemonteerd.

#### ⚠️ OPMERKING

- De artikelnummers die in de montagestappen worden weergegeven, beginnen met de onderdelentekening die in de online versie van de volledige gebruikershandleiding te vinden is.

#### ⚠️ WAARSCHUWING

- Monteer het apparaat in de aangegeven volgorde.
- Draag en verplaats het toestel met minstens twee personen.

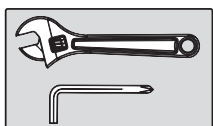
#### ⚠️ VOORZICHTIG

- Zet het toestel op een stevige, vlakke ondergrond.
- Zorg voor een beschermende laag onder het toestel om schade aan het vloeroppervlak te voorkomen.
- Houd rondom de apparatuur ten minste een bewegingsruimte van 100 cm.
- Raadpleeg de illustraties voor de juiste assemblage van het toestel.

#### ⚠️ LET OP

- Bewaar, nadat u het apparaat in elkaar hebt gezet, het gereedschap dat bij dit product is geleverd. Dit met het oog op service op een later tijdstip.

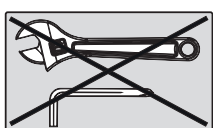
### Bouten en moeren aandraaien



Draai de bouten en moeren pas aan nadat alle componenten zijn gemonteerd.

#### ⚠️ LET OP

- Componenten die moeten kunnen scharnieren, mogen niet te strak worden aangedraaid.
- Alle scharnierende componenten moeten vrij kunnen bewegen.



Draai de bouten en moeren in deze stap niet aan.

### Aanvullende informatie

#### Afvoeren van verpakkingsmateriaal

Overheids-richtlijnen geven aan dat we de hoeveelheid afvalmateriaal afgevoerd naar stortplaatsen moeten verminderen. Daarom vragen we u al het afvalmateriaal op verantwoordelijke wijze af te voeren naar openbare recycling-centra.

#### Verwijdering aan het eind van de levensduur.

We hopen dat u jarenlang plezier hebt van uw fitnessapparaat. Er komt echter een moment waarop het fitnessapparaat het eind van de bruikbare levensduur heeft bereikt. Onder de Europese AEEA-wetgeving bent u verantwoordelijk voor het op de juiste wijze afvoeren van uw fitnessapparaat naar een erkend openbaar inzamelpunt.

#### Vrije trainingsruimte (Fig. D-0)

##### Voorkant van het apparaat

Zorg voor minstens 30 cm vrije ruimte vóór het apparaat.

- Deze vrije trainingsruimte kan worden gedeeld met andere, soortgelijke apparaten wanneer beide tegenover elkaar staan.

##### Zijkant van het apparaat

Zorg voor minstens 60 cm vrije ruimte aan elke zijkant van het apparaat

- Deze vrije trainingsruimte kan worden gedeeld met andere, soortgelijke apparaten wanneer beide tegenover elkaar staan.

##### Achterkant van het apparaat

Zorg voor minstens 200 cm vrije ruimte achter het apparaat

- Deze vrije trainingsruimte kan niet worden gedeeld met andere, soortgelijke apparaten; de extra vrije ruimte die nodig is hangt af van de oriëntatie van beide apparaten en moet de som van beide waarden zijn.

### Trainingen

De training moet licht genoeg zijn, maar wel langdurig.

Aerobische training is gebaseerd op verbetering van de maximale zuurstofopname van het lichaam, die dan het uithoudingsvermogen en de conditie weer verbetert. U moet tijdens de training wel transpireren, maar u mag niet buiten adem raken.

Voor het bereiken en in stand houden van een basisconditie moet u minstens drie keer per week steeds 30 minuten trainen. Verhoog het aantal trainingssessies ter verbetering van uw conditie. Het is de moeite waard om regelmatige lichaamsbeweging met gezonde voeding te combineren. Iemand die zich goed aan een dieet houdt, zou elke dag moeten trainen te beginnen met 30 minuten of korter, en de dagelijkse trainingsduur geleidelijk opvoeren tot één uur. Begin uw training bij een lage snelheid en een lage weerstand om te voorkomen dat uw hart en bloedvaten te sterk belast worden. Naarmate uw conditie verbetert, kunnen snelheid en weerstand geleidelijk worden verhoogd. De doelmatigheid van uw training kan worden gemeten door uw hartslag.

### Instructies

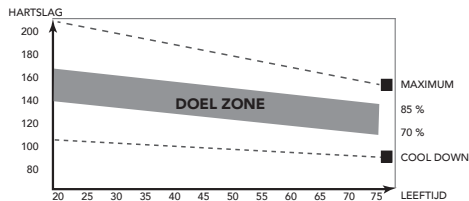
Het gebruik van dit fitness apparaat biedt meerdere voordelen: u verbetert uw fysieke conditie, u versterkt uw spieren en u valt in combinatie met een caloriearm dieet af.

### De warming-up

In deze fase wordt uw bloedsomloop gestimuleerd voor een juiste werking van de spieren. Tevens wordt het risico op kramp en spierletsel verminderd. Wij raden u aan enkele stretch oefeningen te doen, zoals hieronder beschreven. Houd elke stretch oefening ongeveer 30 seconden vol. Forceer uw spieren niet bij het stretchen. STOP als het pijn doet

### De training fase

Dit is de fase waarin u de meeste inspanning levert. Na regelmatig gebruik worden de spieren in uw benen flexibeler. Het is in deze fase zeer belangrijk dat u een gelijkmatig tempo aanhoudt. De snelheid moet voldoende zijn om uw hartslag te laten stijgen naar de doel zone die in de onderstaande grafiek te zien is.



Deze fase moet minimaal 12 minuten duren, maar de meeste mensen beginnen met ongeveer 15-20 minuten.

### De cooling down

In deze fase ontspant u uw cardiovasculaire systeem en spieren. Dit is een herhaling van de warming-uptraining. Verlaag dus uw tempo en ga ongeveer 5 minuten door. Herhaal nu de stretch-oefeningen. Forceer uw spieren niet tijdens het stretchen. Naarmate u fitter wordt, moet u langer en harder trainen. Het is raadzaam minstens drie keer per week te trainen en zo nodig uw oefeningen gelijkmatig over de week te verspreiden.

### Spierversteviging

Als u uw spieren wilt verstevigen met behulp van dit fitnessapparaat, stelt u de weerstand in op hoog. Zo komt er meer spanning op uw beenspieren. Mogelijk kunt u niet zo lang trainen als u zou willen. Als u ook uw conditie wilt verbeteren, moet u het trainingsprogramma aanpassen. Tijdens de warming-up en cooling-down traint u zoals normaal, maar tegen het eind van de trainingsfase verhoogt u de weerstand zodat uw benen harder moeten werken. Verlaag hierbij de snelheid zodat uw hartslag in de doelzone blijft.

### Gewichtverlies

Hierbij is het van belang hoeveel inspanning u levert. Hoe harder en langer u werkt, hoe meer calorieën u verbrandt. In feite is dit hetzelfde als wanneer u zou trainen om uw conditie te verbeteren. Het doel is alleen anders.

## Hartslag

### Hartslagmeting (handgreepsensoren)

De hartslag wordt gemeten door sensoren in de handgrepen wanneer de gebruiker beide sensoren tegelijkertijd aanraakt. Voor de meest nauwkeurige hartslagmeting moet de huid enigszins vochtig zijn en moet u de handgreepsensoren voortdurend aanraken. Bij een te droge of te vochtige huid kan de hartslagmeting minder nauwkeurig worden.

#### LET OP

- Gebruik de handgreepsensoren niet in combinatie met een hartslagborstband.
- Als u een hartslag-limiet hebt ingesteld voor uw training, klinkt er een alarm wanneer deze wordt overschreden.

### Hartslagmeting (hartslagborstband)

#### LET OP

- Een hartslagborstband is niet standaard bij deze trainer mee geleverd. Als u een hartslagborstband wilt gebruiken, zult u deze als accessoire moeten aanschaffen.

De meest nauwkeurige hartslagmeting wordt bereikt met een hartslagborstband. De hartslag wordt gemeten met een hartslagontvanger in combinatie met een band die de hartslag verzendt. Voor een nauwkeurige hartslagmeting moeten de elektroden op de borstband enigszins vochtig zijn en de huid constant aanraken. Bij te droge of te natte elektroden kan de hartslagmeting minder nauwkeurig worden.

#### WAARSCHUWING

- Als u een pacemaker hebt, moet u het eerst met uw dokter bespreken voordat u een hartslagborstband gebruikt.

#### VOORZICHTIG

- Als er verscheidene hartslagmeetapparaten naast elkaar staan, zorg er dan voor dat de tussenafstand minstens 2 meter is.
- Als er slechts één hartslagontvanger en verscheidene hartslagzenders zijn, zorg dan dat er slechts één persoon met een zender in het zendbereik is.

#### LET OP

- Gebruik de hartslagborstband niet in combinatie met de handgreepsensoren.
- Draag de hartslagborstband altijd onder uw kleding, direct op uw huid. Draag de hartslagborstband niet boven uw kleding. Als u de hartslagborstband boven uw kleding draagt, zal er geen signaal komen.
- Als u een hartslaglimiet hebt ingesteld voor uw training, klinkt er een alarm wanneer deze wordt overschreden.
- De zender verzendt de hartslag naar de console tot over een afstand van 1,5 meter. Als de elektroden niet vochtig zijn, verschijnt de hartslag niet op de display.
- Sommige vezels in kleding (bijv. polyester, polyamide) produceren statische elektriciteit die een nauwkeurige hartslagmeting kan hinderen.
- Mobiele telefoons, televisies en andere elektrische apparaten creëren een elektromagnetisch veld dat een nauwkeurige hartslagmeting kan hinderen.

### Maximale hartslag (tijdens de training)

De maximale hartslag is de hoogste hartslag die iemand veilig kan bereiken door de belasting van de training. De volgende formule wordt gebruikt voor het berekenen van de gemiddelde maximale hartslag:  $220 - \text{LEEFTIJD}$ . De maximale hartslag varieert van persoon tot persoon.

#### WAARSCHUWING

- Zorg ervoor dat u tijdens uw training niet boven uw maximale hartslag komt. Als u bij een risicogroep hoort, moet u een arts raadplegen.

### Beginner

#### 50-60% van de maximale hartslag

Geschikt voor beginners, mensen die willen afvallen, herstellende patiënten en personen die lange tijd niet getraind hebben. Train minstens drie keer per week, 30 minuten per keer.

### Gevorderd

#### 60-70% van de maximale hartslag

Geschikt voor personen die hun conditie willen verbeteren en in stand houden. Train minstens drie keer per week, 30 minuten per keer.



**Expert****70-80% van de maximale hartslag**

Geschikt voor de fitste personen die gewend zijn aan langdurige duurtraining.

**Gebruik****Hoofdschakelaar (Fig. E-2A)**

Het toestel is uitgerust met een hoofdschakelaar om het toestel volledig uit te schakelen.

**Starten van het toestel:**

- Plaats de stekker in het toestel.
- Plaats de stekker in het stopcontact.
- Zet de hoofdschakelaar in de aan-stand (ON).

**Stoppen van het toestel:**

- Zet de hoofdschakelaar in de uit-stand (OFF).
- Verwijder de stekker uit het stopcontact.
- Verwijder de stekker uit het toestel.

**Veiligheidssleutel (Fig. F-4)**

Het toestel is voorzien van een veiligheidssleutel die op de juiste wijze in de console moet worden gestoken om het toestel te kunnen starten. Als de veiligheidssleutel gedeeltelijk naar buiten wordt getrokken, wordt de noodmodus geactiveerd en stopt het toestel onmiddellijk.

De veiligheidssleutel wordt ook van zijn plaats gedrukt wanneer de rode noodknop wordt ingedrukt.

- Steek de veiligheidssleutel in de sleuf van de console door deze naar binnen te drukken.
- Zorg ervoor dat de clip van de veiligheidssleutel goed aan uw kleding is bevestigd.

Zorg ervoor dat de clip stevig genoeg aan uw kleding is bevestigd om de veiligheidssleutel naar buiten te kunnen trekken wanneer dat nodig is.

**LET OP**

- Console toont een scrollende tekst: "PUT THE SAFETY KEY ON" (Plaats de veiligheidssleutel), en toont ook verticale scrollende lijnen in het hoofdscherm wanneer de veiligheidssleutel niet in de (juiste) positie staat.

**Circuitonderbreker (Fig. E-2B)**

Het toestel is uitgerust met een circuitonderbreker die het circuit onderbreekt wanneer de elektrische belasting boven de maximale capaciteit komt. Wanneer dit gebeurt, moet de circuitonderbreker worden ingedrukt.

**WAARSCHUWING**

- Verwijder voor het indrukken van de circuitonderbreker de stekker uit het toestel.

Als het toestel uitschakelt, gaat u als volgt te werk om het toestel opnieuw op te starten:

- Verwijder de stekker uit het toestel.
- Druk de circuitonderbreker in om het toestel opnieuw op te starten.
- Plaats de stekker in het toestel.

**LET OP**

- Sommige stroomonderbrekers die binnenshuis worden gebruikt, zijn niet berekend op hoge inschakelstroomstoten die kunnen optreden wanneer de loopband voor de eerste keer wordt ingeschakeld of zelfs tijdens normaal gebruik. Als de loopband de stroomonderbreker activeert (zelfs al heeft deze het juiste stroombereik en is de loopband het enige aangesloten apparaat) maar de stroomonderbreker op de loopband zelf niet wordt geactiveerd, moet u de onderbreker vervangen met een type dat is berekend op hoge inschakelstroomstoten. Dit is geen defect dat onder de garantie valt. Dit is een omstandigheid waarop wij als fabrikant geen invloed hebben.

**Afstellen van de steunvoeten**

De apparatuur is uitgerust met verstelbare steunvoeten.

Als de apparatuur onstabiel aanvoelt, wiebelt, of niet goed waterpas staat, kan dit worden gecorrigeerd door de steunvoeten af te stellen.

- Draai de steunvoeten naar wens naar binnen of naar buiten om de apparatuur in een stabiele en zo vlak mogelijke stand te zetten.
- Draai de borgmoeren\* vast om de steunvoeten te vergrendelen.

**SNELLE TIP**

- Dit gaat gemakkelijker met twee personen, zodat één persoon de apparatuur kan kantelen, terwijl de andere de nodige aanpassingen doet.

**OPMERKING**

- De apparatuur is het meest stabiel wanneer deze zo laag mogelijk bij de grond staat. Begin daarom met het waterpas zetten van de uitrusting door alle steunvoeten volledig naar binnen te draaien, alvorens de vereiste steunvoeten naar buiten te draaien om de uitrusting te stabiliseren en waterpas te zetten.

**Core-bar (Kernstang)**

De kernstang moet in de opbergstand staan voor de loop-/hardloophandfunctie, en in de functiestand voor de sledefuncties.

**Zet de kernstang vast voordat u gaat hardlopen (Fig F-1)****LET OP**

- Maak eerst eventuele bungee-weerstandsbanden los voordat u de kernstang opbergt, door deze los te maken van de kernstang.

- Trek aan de pop-pin tegen de klok in totdat deze automatisch naar beneden gaat.
- Ga op de zijrails staan en duw de kernstang naar voren totdat de pop-pin de kernstang vergrendelt door volledig naar beneden te vallen.  
Het vereist gemiddelde kracht om de kernstang naar voren te duwen

**Maak de kernstang los voor de sledefunctie (fig. F-2)****LET OP**

- Zorg ervoor dat de kernstang vrij is van accessoires voordat u deze losmaakt.

- Trek de pop-pin omhoog en draai deze met de klok mee om hem omhoog te houden.
- De kernstang gaat automatisch in de werkende positie staan door achteruit te bewegen.

## **Bungee-weerstandsband**

De bungee-weerstandsbanden kunnen worden gebruikt om de weerstand van de kernstang te verhogen in de sledefuncties. Haak eenvoudig één of beide bungee-weerstandsband aan de onderzijde van de kernstang om de weerstand naar wens te verhogen. (Fig. F-3)

## **Monitor (fig E-1)**

### **⚠ VOORZICHTIG**

- Houd de console uit de buurt van direct zonlicht.
- Droog het oppervlak van de console wanneer het met zweetdruppels is bedekt.
- Leun niet op de console.
- Raak de display alleen met uw vingertop aan. Raak de display niet aan met uw nagels of een scherp voorwerp.

### **🔊 LET OP**

- De console gaat naar standby wanneer het toestel gedurende 4 minuten niet wordt gebruikt.

## **Toetsen**

### **Zie (Afb. E-1)**

#### **⚠ LET OP**

- Sommige toetsen hebben verschillende functies afhankelijk van de functionele instelling van de loopband.
- De informatie over de functies van de hoofdtoetsen is van toepassing op de functies wanneer de loopband in de normale bedrijfsmodus staat.
- Toetsen met verschillende functies in andere functionele modi worden apart vermeld in de secties:
  - Specifieke functies van de toetsen in de Sled mode (sledemodus).
  - Specifieke functies van de toetsen in de modus Limit Speed (snelheid begrenzen).
  - Specifieke functies van de toetsen in de modus Backwards (achteruit).

## **Emergency (noodsituatie)**

- Als je op de rode toets Emergency drukt, wordt de noodstop geactiveerd, waardoor de beweging van de loopband snel wordt gestopt.
- Als je op de noodstop-toets drukt, springt de veiligheidssleutel iets naar buiten, zodat je de loopband niet per ongeluk opnieuw kunt starten.
- Druk de veiligheidssleutel weer volledig in de gleuf om de noodstop te deactiveren.

## **Enter**

Bevestig de ingestelde gegevens in de instellingsprogrammeringsmodus.

## **Minus**

Verlaag de waarde in de instellingsprogrammeringsmodus.

## **Plus**

Verhoog de waarde in de instellingsprogrammeringsmodus.

## **Start**

Druk in de stopmodus op de toets om de workout te starten. Druk in de pauzmodus op de toets om de workout voort te zetten.

## **Return**

Druk op de toets om terug te gaan naar het instellingenmenu.

## **Stop / Pause**

Druk op deze toets in de workoutmodus om de loopband in de pauzmodus te zetten.

Druk op deze toets in de pauzmodus om de loopband in de stopmodus te zetten.

## **Sneltoetsen voor de Sled Programs (sledprogramma's)**

Druk in de stopmodus op de toets om een sledefunctieprogramma te selecteren en het bijbehorende instellingsmenu te openen.

Sledeprogramma's zijn: Goal Distance, Goal Time, Manual, Custom, Strength Test

## **Sneltoetsen voor Treadmill programs**

Druk in de stopmodus op de toets om een loopbandfunctieprogramma te selecteren en het bijbehorende instellingsmenu te openen.

Loopbandprogramma's zijn: Limit mode, P1-P5, P6-P10, User, HRC, Goal Training, Backward walking

## **Toetsen op linkerhandgreep - Stop**

De functie is dezelfde als voor de toets "Stop / Pause" op het hoofdtoetsenpaneel.

## **Toetsen op linkerhandgreep - Incline minus**

- Verlaagt de helling (0 ~ 15 -1).
- Wijzigt waarden in de programmeringsmodus.

## **Toetsen op linkerhandgreep - Incline plus**

- Verhoogt de helling (0 ~ 15 +1).
- Wijzigt waarden in de programmeringsmodus.

## **Toetsen op linkerhandgreep - Incline sneltoetsen**

- De sneltoetsen voor de helling zijn ingesteld op 2, 4, 6, 8, 10, 12.
- Voorbeeld wanneer de loopband wordt gebruikt in de modus loopbandfunctie.  
Druk bijvoorbeeld op de sneltoets 6 om de helling te wijzigen naar 6.

## **Rechterhandgreep Speed / Sled - Start**

De functie is dezelfde als voor de "Start"-toets op het hoofdtoetsenpaneel.

## **Rechterhandgreep Speed / Sled - minus**

- Hiermee wordt de snelheid verlaagd (0,5 ~ 20,0 km/u).
- Druk eenmaal op de toets om de snelheid met 0,1 km/u te verlagen.
- Als je de toets twee seconden ingedrukt houdt, gaat de snelheid sneller omlaag.
- Wijzigt waarden in de programmeringsmodus.

## **Rechterhandgreep Speed / Sled - plus**

- Hiermee wordt de snelheid verhoogd (0,5 ~ 20,0 km/u).
- Druk eenmaal op de toets om de snelheid met 0,1 km/u te verhogen.
- Als je de toets twee seconden ingedrukt houdt, gaat de snelheid sneller omhoog.
- Wijzigt waarden in de programmeringsmodus.

## **Rechterhandgreep Speed / Sled - Sneltoetsen**

- "Speed / Sled" toetsen zijn ingesteld als 3, 6, 9, 12, 15, 18.
- Een voorbeeld wanneer de loopband in loopbandmodus wordt gebruikt.  
Druk op de sneltoets 9 om de snelheid in te stellen 9 km/u.

### Specifieke functies van sledemodustoetsen

#### **Handgreep Speed / Sled - minus**

- Verlaagt de weerstand van de slede (1 ~ 100%).
- Eenmaal drukken verlaagt de weerstand met 1%.
- Als je de toets twee seconden ingedrukt houdt, gaat de weerstand sneller omlaag.
- Wijzigt waarden in de programmeringsmodus.

#### **Handgreep Speed / Sled - plus**

- Verhoog de weerstand van de slede (1 ~ 100%).
- Eenmaal drukken verhoogt de weerstand met 1%.
- Als je de toets twee seconden ingedrukt houdt, gaat de weerstand sneller omhoog.
- Wijzigt waarden in de programmeringsmodus.

#### **Handgreep Speed / Sled - Sneltoetsen**

Wanneer de loopband is ingesteld op de sledemodus, zijn de sneltoetsen geprogrammeerd om het volgende weer te geven:

Sneltoets 3	15%	Sneltoets 12	60%
Sneltoets 6	30%	Sneltoets 15	75%
Sneltoets 9	45%	Sneltoets 18	90%

- Bij het indrukken van een sneltoets wordt de weerstand direct ingesteld op de beginweerstand.
- Voorbeeld: als de loopband in de sledemodus wordt gebruikt en toets 9 wordt ingedrukt, verandert de weerstand direct naar 45%.

### Specifieke functies van de toets voor de modus Limit Speed (snelheid begrenzen)

#### **Handgreep Speed / Sled - minus**

- Hiermee wordt de snelheid verlaagd (0,1 ~ 2,5 km/u).
- Druk eenmaal op de toets om de snelheid met 0,1 km/u te verlagen.
- Als je de toets twee seconden ingedrukt houdt, gaat de snelheid sneller omlaag.

#### **Handgreep Speed / Sled - plus**

- Verhoog de snelheid (0,1 ~ 2,5 km/u).
- Druk eenmaal op de toets om de snelheid met 0,1 km/u te verhogen.
- Als je de toets twee seconden ingedrukt houdt, gaat de snelheid sneller omhoog.

#### **Handgreep Speed / Sled - Sneltoetsen**

Wanneer de loopband is ingesteld op de modus Limit speed, zijn de sneltoetsen geprogrammeerd om het volgende weer te geven

Sneltoets 3	0,6	Sneltoets 12	1,5
Sneltoets 6	0,9	Sneltoets 15	1,8
Sneltoets 9	1,2	Sneltoets 18	2,1

- Bij het indrukken van een sneltoets wordt de snelheid onmiddellijk ingesteld op de beginsnelheid.
- Een voorbeeld wanneer de loopband in de modus Limit speed wordt gebruikt.  
Druk op de sneltoets 9 om de snelheid in te stellen 1,2 km/u.

### Specifieke functies van de achteruittoets

#### **Handgreep Speed / Sled - minus**

- Hiermee wordt de snelheid verlaagd (0,1 ~ 2,5 km/u).
- Druk eenmaal op de toets om de snelheid met 0,1 km/u te verlagen.
- Als je de toets twee seconden ingedrukt houdt, gaat de snelheid sneller omlaag.

#### **Handgreep Speed / Sled - plus**

- Verhoog de snelheid (0,1 ~ 2,5 km/u).
- Druk eenmaal op de toets om de snelheid met 0,1 km/u te verhogen.
- Als je de toets twee seconden ingedrukt houdt, gaat de snelheid sneller omhoog.

#### **Handgreep Speed / Sled - Sneltoetsen**

Wanneer de loopband is ingesteld op de functie Backwards mode, zijn de sneltoetsen geprogrammeerd om het volgende weer te geven

Sneltoets 3	0,6	Sneltoets 12	1,5
Sneltoets 6	0,9	Sneltoets 15	1,8
Sneltoets 9	1,2	Sneltoets 18	2,1

- Bij het indrukken van een sneltoets wordt de snelheid onmiddellijk ingesteld op de beginsnelheid.
- Een voorbeeld wanneer de loopband in de achterwaartse snelheidsmodus wordt gebruikt.  
Druk op de sneltoets 9 om de snelheid in te stellen 1,2 km/u.

### Uitleg van de items op het display

#### **Dot matrix (stippelmatrix)**

De matrix toont het programmaprofiel in twee delen, te weten.

- De eerste 10 rijen geven de instelling van de helling weer
- De tweede 10 rijen geven de instelling van de snelheid in de loopbandmodus weer.
- De Sled intensity (slede-intensiteit) in de sledemodus.
- Toont parametergegevens in de programmeringsmodus.

#### **Incline (helling)**

- Toont de actuele helling van de loopband in de workoutmodus.
- Toont de doelstelling voor de helling in de programmeringsmodus.

#### **Speed / Sled (snelheid/slede)**

Speed / Sled is een gedeeld venster met verschillende functies, afhankelijk van de loopbandmodus.

Wanneer de loopband in de functionele modus Treadmill staat (ook snelheid begrenzen en snelheid achteruit)

- Toont de actuele snelheid van de loopband in km/u.
- Toont de doelstelling voor de snelheid in de programmeringsmodus.

Wanneer de loopband in de functionele sledemodus staat.

- Toont de werkelijke weerstand van de loopband in % in de sledemodus.
- Toont de doelstelling voor de snelheid in de programmeringsmodus van de loopbandfunctie.

#### **Heart rate (hartslag)**

- Toont de gemeten hartslag in de workoutmodus, of "P" wanneer er geen hartslag wordt gemeten.

#### **Ticker bar (tickerbalk)**

Ticker bar toont informatie of instructies om de gebruiker te helpen de loopband correct te gebruiken wanneer hij in modus stand-by staat.

#### **Ticker bar - sectie Program**

- Geeft in de programmeringsmodus het geselecteerde programma weer.
- Geeft "-- -- --" weer in de workoutmodus.

### **Ticker bar - sectie Call / Watt**

- Toont de verbrande kilocalorieën in de workoutmodus.
- Toont de resterende kilocalorieën bij een workout in de modus voor doelstelling calorieën.
- Toont de doelstelling voor kilocalorieën in de programmeringsmodus.
- Geeft Watt weer in de sledemodus.

### **Ticker bar - sectie Distance**

- Toont de gelopen afstand in de workoutmodus.
- Toont de resterende afstand bij een workout in de modus met doelstelling afstand.
- Geeft - in programmeringsmodus - de doelstelling afstand aan.

### **Ticker bar - sectie Time**

- Geeft in de workoutmodus de gelopen tijd weer.
- Toont de resterende tijd bij een workout in de modus doelstelling tijd.
- Toont de streeftijd in de programmeringsmodus.

### **Ticker bar - sectie User**

- Geeft de gebruikersselectie weer in de programmeringsmodus.
- Geeft "-- --" weer in de workoutmodus.

### **Uitleg van het geluidssignaal van het display**

De gebruiker wordt gewaarschuwd met een geluidssignaal.

Zo wordt de gebruiker gewezen op een veilige workout.

De console waarschuwt de gebruiker wanneer:

- Er op een toets gedrukt wordt.
- Wanneer je een vooraf ingestelde doelstelling bereikt.
- Om een snelheidsverandering in het actieve geselecteerde programma aan te kondigen.

### **USB-functie**

De gebruiker kan zijn apparaat aansluiten om het tijdens de workout op te laden.

Spanning / Stroom: 5 VDC / 1,0 A

## **Bediening van de console**

### **Snelle start**

- Druk op de toets "Start / Pause" om de workout te starten zonder voorgeprogrammeerde instellingen.
- De loopband begint op een minimumsnelheid van 0,8 km/u, en behoudt de ingestelde helling.
- U kunt op elk gewenst moment de snelheid en helling aanpassen tijdens de workout, evenals stoppen en pauzeren.

### **Je workout beëindigen of pauzeren**

- Je kunt je workout op elk moment pauzeren door eenmaal de toets "Start / Pause" in te drukken.  
In de pauzmodus zie je op het display de aanduiding "PAUSE".  
Max. pauzetijd is 4,5 minuut.
- Druk op de toets "Start / Pause" om de pauzmodus uit te schakelen en de training te hervatten.
- Druk eenmaal op de toets "STOP" om de workout te pauzeren.
- Druk twee keer op de toets "STOP" om de workout te beëindigen en de console in te stellen:  
Modus "Reset / Program Selection".

## **Sled Programs (sledprogramma's)**

Om een sledefunctieprogramma in te stellen, moet de loopband in de modus "Reset / Program Selection" staan.

Zet de loopband in de resetmodus door twee keer op de toets "Stop" te drukken.

### **⚠ LET OP**

- De console onthoudt de laatst gebruikte instelling als voorkeursinstelling en gebruikt deze als standaardinstelling in de programmeringsmodus.

### **Treadmill Sled function (loopbandsledefunctie)**

Wanneer je de loopband in de sledemodus gebruikt, verandert de functie van de loopband van een workout met wandelen/rennen naar een workout met duwen van de slede.

In deze modus moet de gebruiker de band in beweging zetten door middel van duwkracht, waarbij de weerstand van de band in percentages kan worden verhoogd om je workout te intensiveren.

### **Goal Distance (Doelstelling afstand)**

- Druk op de toets Goal Distance om het programma Goal Distance te selecteren.
- Het display toont "50" als standaard, of de laatst ingestelde doelstelling want het onthoudt de laatst ingestelde afstand als je voorkeur.
- Gebruik de toetsen plus en minus om de gewenste doelstelling in te stellen.  
± 100 m. Bereik: 50 ~ 9000 m.
- Druk op Start om af te tellen en start je workout door de hardloopband in beweging te duwen.
- De toetsen plus en minus van "Speed / Sled" kunnen ook worden gebruikt om de weerstand te wijzigen
- De workout stopt wanneer je de vooraf ingestelde doelstelling voor afstand hebt bereikt.

### **Goal Time (Doelstelling tijd)**

- Druk op de toets Goal Time om het programma Goal Time te selecteren.
- Het display toont "30 sec." als standaard, of de laatst ingestelde doelstelling want het onthoudt de laatst ingestelde tijd als je voorkeur.
- Gebruik de toetsen plus en minus om de gewenste doelstelling in te stellen.  
± 5 sec. Bereik: 5 ~ 990 sec.
- Druk op Start om af te tellen en start je workout door de loopband in beweging te duwen.
- De toetsen plus en minus van "Speed / Sled" kunnen ook worden gebruikt om de weerstand te wijzigen tijdens de workout.
- De workout stopt wanneer je de vooraf ingestelde doelstelling voor tijd hebt bereikt.

### **Manual (handmatig)**

- Druk op de toets Manual om het programma Manual te selecteren.
- Het display toont "10%" als de standaard ingestelde Time goal.
- Gebruik de toetsen plus en minus van "Speed / Sled" om de gewenste startweerstand voor je workout in te stellen.  
± 1% Bereik: 1 ~ 100%.
- Druk op Start om af te tellen en start je workout door de hardloopband in beweging te duwen.

- De toetsen plus en minus van "Speed / Sled" kunnen ook worden gebruikt om de weerstand te wijzigen tijdens de workout.
- De workout stopt wanneer de gebruiker de workout handmatig stopt.

### **Custom (gepersonaliseerd)**

Er zijn 5 gepersonaliseerde programma's beschikbaar, met name: C1, C2, C3, C4 en C5. Deze programma's zijn vrij te configureren door de gebruiker.

- Druk op de toets Custom om het programma Custom te selecteren.
- Het display toont standaard C1, gebruik de toetsen "Custom" om C1 ~ C5 naar wens te selecteren en druk op Enter om te bevestigen.
- Stel het aantal stappen in dat je wilt in je profiel. Het display toont de standaardinstelling voor het geselecteerde programma. Gebruik de toetsen plus en minus om het aantal stappen in te stellen. Bereik: 2 ~ 12 ( $\pm 1$ ) en druk op Enter om te bevestigen.
- Stel het "interval" in dat staat voor de actieve functionele tijd van de slede voor elk van de stappen. Het display Heart rate toont standaard 15 (tijd in seconden). Gebruik de toetsen plus en minus om de rusttijd in seconden in te stellen. Bereik: 15 ~ 120 ( $\pm 15$ ) en druk op Enter om te bevestigen.
- Stel de "Rust time" (rusttijd) in als pauzetijd tussen de stappen van de workout met de slede. Het venster Heart rate (hartslag) toont standaard 15 (tijd in seconden). Gebruik de toetsen plus en minus om de rusttijd in seconden in te stellen. Bereik: 15 ~ 120 ( $\pm 15$ ) en druk op Enter om te bevestigen.
- Stel het weerstandsniveau voor de workoutmodus in. Het display toont 10% als standaard. Gebruik de toetsen plus en minus van "Speed / Sled" om het gewenste weerstandsniveau in te stellen voor het eerste segment van je gepersonaliseerde workout. Bereik: 1% ~ 100% ( $\pm 1$ )
- Stel de helling in en druk op Enter om te bevestigen. Het display toont standaard 0 (tijd in seconden). Gebruik de toetsen plus en minus van "Incline" om de rusttijd in seconden in te stellen. Gebruik de toetsen plus en minus van "Incline" om de gewenste helling in te stellen voor het eerste segment van je gepersonaliseerde workout. Bereik: 0 ~ 15. ( $\pm 1$ )
- Stel de instellingen voor alle stappen in je gepersonaliseerde workout op dezelfde manier in.
- Druk op de toets "START" om je workout te starten.

### **⚠ LET OP**

- Instellingen worden automatisch opgeslagen.
- Instellingen kunnen worden gewijzigd door hetzelfde programma te selecteren en de gewenste wijzigingen aan te brengen.

### **Strength test (krachttest)**

Het krachttestprogramma is opgezet om de maximale kracht van de gebruiker te meten.

- Druk op de toets Strength Test om het programma Strength Test te selecteren.
- Het display toont de standaard ingestelde Time goal.
- Gebruik de toetsen plus of minus om de gewenste doelstelling in te stellen.  $\pm 30$  sec. Bereik: 30 ~ 120 sec.
- Druk op "Start" om je workout te starten. De trainer genereert 100% weerstand, waarbij de gebruiker zijn uiterste best moet doen om de loopband zo snel mogelijk in beweging te zetten. Tijdens de test worden de real-time parameters op het display weergegeven.
- Na het bereiken van de ingestelde doelstelling voor de tijd toont de console het testresultaat in totale afstand en gemiddelde weerstand berekend over de totale testduur.

### **Treadmill programs (loopbandprogramma's)**

Wanneer de loopband in de loopbandmodus wordt gebruikt, zal de loopband de interne motor gebruiken om de snelheid van de lopende band aan te drijven.

Dit is de standaardfunctie van een conventionele loopband.

Om een loopbandprogramma in te stellen, moet de loopband in de modus "Reset / Program selection" staan.

Zet je loopband in de resetmodus door twee keer op de toets "Stop" te drukken

### **⚠ LET OP**

- De console onthoudt de laatst gebruikte instelling als voorkeursinstelling en gebruikt deze als standaardinstelling in de programmeringsmodus.

### **Limit mode (modus limiet)**

- Druk op de toets Limit Mode om het programma Limit Mode te selecteren.
- Druk op de toets "START" om je workout te starten.
- De loopband start op een snelheid van 0,1 km/u.
- Met de toetsen plus en minus van "Speed / Sled" kun je de snelheid van de workout op elk moment wijzigen.  $\pm 0,1$  km/u Bereik: 0.1 ~ 2,5 km/u.
- De workout stopt wanneer de gebruiker de workout handmatig stopt.

### **Programma's P1-P5**

Er zijn 10 voorgeprogrammeerde programma's.

- P1 ~ P3 zijn snelheidsgestuurde programma's.
- P4-P5 zijn combinatiegestuurde programma's voor snelheid en helling.
- Zie: Afbeelding P1-P5 om de inhoud van loopbandprogramma P1-P5 te bekijken.
- Druk op de toets P1-P5 om het programma Limit mode te selecteren.
- Gebruik de toetsen "P1-P5" om het gewenste programma te selecteren. Het scherm toont afstand P1 als standaardprogramma
- Gebruik de toetsen "P1-P5" om het gewenste programma te selecteren: P1 ~ P5, en druk op Enter om te bevestigen.

- Gebruik toetsen plus en minus om het gewenste programmaniveau te kiezen.  
Het display toont .L1 als het standaard programmaniveau.
- Gebruik de toetsen plus en minus om het gewenste niveau te selecteren: L1 ~ L4,  
en druk op Enter om te bevestigen.
- Druk op de toets "START" om je workout te starten.
- De workout stopt wanneer het einde van het programma is bereikt.

### **P1 ~ P5 programmagedrag**

- De duur van het programma is ingesteld op 36 minuten.  
Elke minuut schakelt het profiel over naar het volgende programmasegment,  
en begint opnieuw wanneer het einde is bereikt.  
Je kunt de snelheid en helling op elk moment wijzigen. Het programma pakt automatisch het profiel op wanneer naar de volgende fase wordt overgeschakeld.
- De workout stopt wanneer het einde van het programma is bereikt.

### **Programma's P6 - P10**

Er zijn 10 voorgeprogrammeerde programma's.

- P6 ~ P10 zijn hellinggestuurde programma's.
- Zie: Afbeelding P6~P10 om de inhoud van het loopbandprogramma P6~P10 te bekijken.
- Druk op de toets P6-P10 om het programma Limit mode te selecteren.
- Gebruik de toetsen plus en minus om het gewenste programma te selecteren.  
Het scherm toont afstand P1 als het standaardprogramma
- Gebruik de "+" of "-" toetsen om het gewenste programma te selecteren: P6 ~ P10,  
en druk op Enter om te bevestigen.
- Gebruik de toetsen plus en minus om het gewenste programmaniveau te kiezen.  
Het display toont .L1 als het standaard programmaniveau.
- Gebruik de toetsen plus en minus om het gewenste niveau te selecteren: L1 ~ L4,  
en druk op Enter om te bevestigen.
- Druk op de toets "START" om je workout te starten.

### **P6 ~ P8 programmagedrag**

- De duur van het programma is ingesteld op 36 minuten.  
Elke minuut schakelt het profiel over naar het volgende programmasegment en begint opnieuw wanneer het einde is bereikt.  
Je kunt de snelheid en helling op elk moment wijzigen. Het programma pakt automatisch het profiel op wanneer naar de volgende fase wordt overgeschakeld.
- De workout stopt wanneer het einde van het programma is bereikt.

### **P9 - P10 programmagedrag**

- De duur van het programma is ingesteld op 5 km voor P9 en 10 km voor P10.  
Elke 200 meter schakelt het profiel over naar het volgende programmasegment en begint opnieuw als het einde is bereikt.  
Je kunt de snelheid en helling op elk moment wijzigen.
- De workout stopt wanneer het einde van het programma is bereikt.

### **User (gebruiker)**

- Druk op de toets "User" om een gebruikersprogramma te selecteren / configureren.  
Het display toont U1 als standaard.
- Gebruik de toetsen "User" om de gewenste gebruiker te selecteren: U1 ~ U5,  
en druk op Enter om te bevestigen.

### **Gebruikersgegevens instellen**

- Stel je geslacht in, het scherm toont (mannelijk) of (vrouwelijk).  
Gebruik de toetsen plus en minus om het juiste geslacht te selecteren  
en druk op Enter om te bevestigen.
- Het scherm toont Age, om je leeftijd in te stellen.  
Het display toont 30 als standaard, of de laatst ingestelde leeftijd.  
Gebruik de toetsen plus en minus om de juiste leeftijd in te stellen  
 $\pm 1$  Bereik: 15 ~ 80 jaar en druk op Enter om te bevestigen.
- Het scherm toont Height, om de lichaamslengte in te stellen.  
Het display toont 170 (cm) als standaard, of de laatst ingestelde lichaamslengte.  
Gebruik de toetsen plus en minus om de juiste lengte in te stellen  
 $\pm 1$  Bereik: 100 ~ 220 (cm) en druk op Enter om te bevestigen.
- Display toont Weight om je lichaamsgewicht in te stellen.  
Het display toont 75 (kg) als standaard, of toont het laatst ingestelde gewicht.  
Gebruik de toetsen plus en minus om het juiste gewicht in te stellen  
 $\pm 1$  Bereik: 30 ~ 150 (kg) en druk op Enter om te bevestigen.
- Het venster Pulse toont de persoonlijke BMI-index op basis van de ingestelde gebruikersparameters.

### **Gebruikersprogrammaprofiel instellen.**

- Druk op Enter om het instellingenmenu voor je gebruikersprogrammaprofiel te openen.
- Display voor Heart rate toont: 1 om je te informeren om de snelheid en helling in te stellen voor je eerste fase van je profiel uit 12 fasen.
- Stel de gewenste snelheidsinstelling voor het eerste segment van het gebruikersprogramma in met de toetsen plus en minus van Speed.
- Stel de gewenste helling in voor het eerste segment van het gebruikersprogramma met de toetsen plus en minus van Incline.  
Bevestig je keuze met de toets Enter.
- Display voor Heart rate toont 2  
Stel alle 12 segmenten van je programmaprofiel in.
- Het display toont doelstelling tijd "35" min. Gebruik de toetsen plus of minus om de doelstelling tijd te wijzigen.  $\pm 1$  Bereik: 1 ~ 99  
Druk op start om de oefening te starten.

### **HRC (Heart Rate Control)**

#### **⚠ LET OP**

- Suggested Heart rate (voorgestelde hartslag) is gebaseerd op de maximale hartslag van de gebruiker, berekend op basis van de leeftijd van de gebruiker, met name: 220 - leeftijd.
- Minimale instelling is 50% van de maximale hartslag van de gebruiker.
- De maximale doelinstelling voor de hartslag is 100% van de maximale hartslag van de gebruiker. Heart Rate (hartslag).

- Druk op de toets HRC om het programma HRC te selecteren.
- Stel Users age (leeftijd van de gebruiker) in met de toetsen plus en minus en bevestig met de toets Enter.
- Stel de gewenste doelstelling voor de hartslag in met de toetsen plus en minus en bevestig met Enter. (Maximale limiet wordt bepaald door ingestelde leeftijd (220 - leeftijd)
- Druk op de toets "START" om je workout te starten.
- De workout stopt na 30 minuten aftellen.

De loopband stopt na  $\pm 30$  sec. als er geen hartslag wordt ontvangen.

### Goal Training (Doelstelling training)

- Er zijn drie programma's voor Goal Training: Goal Distance, Goal Time, Goal Calories

Druk twee keer op de toets Goal Training om te openen: Goal Time.  
Druk drie keer op de toets Goal Training om te openen: Goal Calories.

#### **Goal Distance**

- Druk eenmaal op de toets Goal Training om te openen: Goal Distance
- Het display toont afstand "0.1" (km) als standaard of de laatst ingestelde doelstelling want het onthoudt de laatst ingestelde afstand als je voorkeur.  
Gebruik de toetsen plus of minus om de gewenste doelstelling in te stellen.  
± 0,1 km      Bereik: 0.1 ~ 99.9 km.  
Houd de toetsen plus en minus ingedrukt om snel ± 1,0 km in te stellen.
- Druk op de toets "START" om je workout te starten.
- De workout stopt wanneer de ingestelde doelstelling voor afstand is bereikt.

#### **Goal Time**

- Druk twee keer op de toets Goal Training om te openen: Goal Time.
- Het display toont de tijd "1" (min) als standaard, of de laatst ingestelde doelstelling want het onthoudt de laatst ingestelde tijd als je voorkeur.
- Gebruik de toetsen plus of minus om je gewenste doelstelling in te stellen.  
± 1 min.      Bereik: 1 ~ 99 min.  
Houd de toetsen plus of minus ingedrukt om snel ± 1 min. in te stellen. Druk op "Start" om je workout te starten.
- De workout stopt wanneer de ingestelde doelstelling voor tijd is bereikt.

#### **Goal Calories (Doelstelling calorieën)**

- Druk drie keer op de toets Goal Training om te openen: Goal Calories.
- Het display toont calorieën "10" (kcal) als standaard, of de laatst ingestelde doelstelling want het onthoudt de laatst ingestelde calorieën als je voorkeur.
- Gebruik de toetsen plus of minus om de gewenste doelstelling in te stellen.  
± 1 kcal.      Bereik: 10 ~ 999 kcal.  
Houd de toetsen plus of minus ingedrukt voor ± 10 kcal.
- Druk op de toets "START" om je workout te starten.
- De workout stopt wanneer de ingestelde doelstelling voor calorieën is bereikt.

### Backward walking (achteruit lopen)

De functie Backward walking zet de loopband in een achterwaartse beweging. Daarmee kun je een achterwaartse loopoefening doen. Je kunt je ook omdraaien en deze functie gebruiken om vooruit te lopen op een steile helling.

- Druk op de toets Backward walking om het programma voor de modus Backward walking te selecteren.
- Druk op de toets "START" om je workout te starten.
- De loopband start met een snelheid van 0,1 km/u in achterwaartse richting.

- Met de toetsen plus en minus van "Speed / Sled" kun je de snelheid van de workout op elk moment wijzigen.  
± 0,1 km/u      Bereik: 0.1 ~ 2,5 km/u.
- De workout stopt wanneer de gebruiker de workout handmatig stopt.

### Bluetooth & APP

- U kunt deze console via Bluetooth verbinden met een App op uw smart-apparaat. (iOS & Android)
- Breng de Bluetooth-verbinding alleen tot stand via de verbindingsmodus op de geïnstalleerde APP op uw smart-apparaat.

#### LET OP

- Tunturi biedt uitsluitend de mogelijkheid om uw fitnessconsole via een bluetooth-verbinding aan een smart-apparaat te koppelen. Tunturi kan daarom niet aansprakelijk worden gesteld voor schade of gebreken aan producten die niet door Tunturi worden geproduceerd.
- Raadpleeg de website voor extra informatie.

### Reiniging en onderhoud

#### WAARSCHUWING

- Het toestel heeft maandelijks onderhoud nodig, ook als het niet wordt gebruikt.
- Verwijder voor reiniging of onderhoud de stekker uit het stopcontact.
- Gebruik geen oplosmiddelen om het toestel te reinigen.
- Blokkeer de ventilatieopeningen niet. Houd de ventilatieopeningen vrij van stof, vuil en andere belemmeringen.
- Reinig het toestel na elk gebruik met een zachte absorberende doek.
- Reinig de zichtbare onderdelen van het toestel met een stofzuiger met een kleine zuigmond.
- Controleer regelmatig of alle schroeven en moeren goed vast zitten.

#### LET OP

- Wij raden u aan om alleen indoor-schoenen te gebruiken op de loopband. Als u geen indoor-schoenen heeft, raden wij u aan de zolen van uw schoenen te controleren voordat u deze op de loopband gebruikt. Zorg ervoor dat ze schoon zijn, omdat het toestel niet bestand is tegen vuil van buiten.

### Algemene reiniging

Vuil, stof en dierenharen kunnen luchtinlaten blokkeren en zich op de band ophopen. U moet maandelijks onder de loopband stofzuigen om ophoping te voorkomen.  
HAAL EERST DE STEKKER UIT HET STOPCONTACT VOORDAT U DIT DOET.

#### **Stof op band**

Dit treedt op tijdens normaal eerst gebruik of totdat de band is gestabiliseerd. Verwijder het stof met een vochtige doek om ophoping van stof te minimaliseren.

## **Band en loopvlak**

De loopband maakt gebruik van een zeer efficiënt loopvlak met weinig wrijving. De prestaties worden geoptimaliseerd wanneer het loopvlak schoon en vrij van stof en vuil wordt gehouden. Vuil en stofdeeltjes tussen het loopvlak en de loopband beschadigen het oppervlak van het loopvlak, waardoor de prestaties en de levensduur van het toestel worden beïnvloed.

### **Reinigen van het loopvlak**

Gebruik een zachte, vochtige doek om de rand van de band en het gedeelte tussen de bandrand en het frame te reinigen. Probeer ook onder de randen van de loopband te komen, om ook het verzamelde vuil van de randen te verwijderen.

### **Reinigen van het oppervlak van de loopband**

Gebruik eerst een nylon schrobborstel om de losse deeltjes van het oppervlak van de loopband te verwijderen. Gebruik daarna een uitgewrongen vochtige doek (zonder schoonmaak- of schuurmiddelen) om de bovenkant van de getextureerde band voorzichtig schoon te maken. Laat de band goed drogen voordat u deze gebruikt.

#### **⚠️ OPMERKING**

- Wanneer de band te vuil is om alleen met water te reinigen, kunt u een milde zeep gebruiken, maar nooit een oplosmiddel voor smeermiddelen.
- Voorkom te allen tijde dat dit mengsel tussen het loopvlak en loopband terecht komt.

Om de levensduur van de band en het loopvlak te verlengen, moet dit regelmatig worden gedaan.

### **Smeren (Fig. F-6)**

#### **⚠️ OPMERKING**

- De loopmat van de loopband wordt, tijdens de productie van het toestel, gesmeerd voordat deze op de loopband wordt gemonteerd. Daarom is het niet nodig om de loopmat te smeren voordat het toestel in gebruik wordt genomen.

De loopmat van de looptrainer moet regelmatig op smering worden gecontroleerd. Na elke 300 km wordt een herinnering weergegeven. In het venster TIME wordt 'OIL' weergegeven en elke 10 seconden klinkt een akoestisch signaal om u te herinneren aan de controle. Volg de onderstaande controleprocedure en schakel de melding 'OIL' en het akoestische waarschuwingssignaal uit door tijdens het signaal de knop STOP ten minste 3 seconden ingedrukt te houden.

#### **⚠️ WAARSCHUWING**

- Verwijder voor het smeren de stekker uit het stopcontact.

#### **⚠️ VOORZICHTIG**

- We raden aan de smering van de loopmat minimaal één keer per maand te controleren, omdat meer factoren dan alleen de tijd van invloed kunnen zijn voor de smeringconditie van uw loopmat.
  - Smeer de loopmat alleen indien nodig. Als u te veel smeervet aanbrengt, zal de loopmat door te weinig wrijving snel gaan slippen.
- Neem een stevige positie op de loopmat aan.
- Houd de voorhandgreep vast en duw de loopmat met uw voeten vooruit en achteruit. De loopmat moet soepel en gelijkmatig lopen zonder geluid te maken.
- Als de loopmat niet soepel en gelijkmatig loopt of als de loopmat helemaal niet beweegt, raak dan met uw vingertoppen de onderkant van de loopmat aan om de smering te controleren:

- Als u smeermiddel voelt of als uw vingertoppen glimmen, dan bevindt zich nog voldoende smering op de loopmat.
- Als u geen smeervet voelt of als uw vingertoppen stoffig of ruw aanvoelen, breng dan smeermiddel ( $\pm 10$  ml.) aan in het midden van de loopmat onder de band zelf en laat het toestel minstens 5 minuten bij 5 km/h lopen.
- Na het smeren mag u het toestel pas inklappen nadat u gedurende 2 minuten een training hebt uitgevoerd op een snelheid van ten minste 5 km/u. Hierdoor wordt het smeermiddel volledig door de loopband geabsorbeerd en gelijkmatig verspreid.

#### **⚠️ OPMERKING**

- Als 5 km/u voor u te snel is, loop dan op de door u gewenste snelheid, maar verleng de duur dan wel tot minimaal 5 minuten.



Klik om onze ondersteunende YouTube-video te bekijken  
<https://youtu.be/ceaOYnofY5k>

## **Bandafstellingen**

U moet afstellingen doorvoeren bij de achterste roller. De afstelbouten bevinden zich aan het einde van de staprails in de eindkapjes,

- Draai de achterste rollerbouten net genoeg aan (rechtsom) om verschuiving bij de voorste roller te voorkomen. Draai beide afstelbouten voor de bandspanning aan in stappen van 1/4 slag en controleer op juiste spanning door op de band te lopen met lage snelheid. Zorg dat de band niet verschuift. Blijf de bouten aandraaien totdat de band niet meer verschuift.
- Als u van mening bent dat de bandspanning goed is maar de band nog steeds verschuift, wordt het probleem mogelijk veroorzaakt door een losse motoraandrijfriem onder de voorkap.
- Niet te strak aandraaien Als u de bouten te strak aandraait, raakt de band beschadigt en zullen de lagers vroegtijdig slijten.

## **Bandafstellingen**

De prestaties van het apparaat zijn afhankelijk van het feit of het frame op een redelijk vlak oppervlak staat. Als het frame niet waterpas staat, kunnen de voor- en achterrollers niet parallel draaien, waardoor de band constant opnieuw moet worden afgesteld.

Het apparaat is zo ontworpen dat de band tijdens gebruik zoveel mogelijk in het midden blijft. Het is bij sommige banden normaal dat deze naar de zijkant bewegen terwijl de band loopt zonder dat er iemand op staat. Na enkele minuten van gebruik zal de band de neiging hebben zich te centreren. Als tijdens gebruik de band nog steeds naar de zijkant beweegt, is afstelling noodzakelijk.

### **UITZONDERING:**

tijdens revalidatie, waarbij het ene been van de gebruiker sterker is dan het andere, kan het voorkomen dat de band naar de zijkant beweegt. In dat geval moet u de bandloop niet opnieuw afstellen, tenzij de band zich bij normaal gebruik niet centreert.

### **Loopmat spanning afstellen:**

U dient afstellingen toe doen bij de achterste roller. De afstelbouten bevinden zich aan het einde van de staprails in de eindkapjes,

- Draai de achterste rollerbouten net genoeg aan (rechtsom) om verschuiving bij de voorste roller te voorkomen. Draai beide afstelbouten voor de bandspanning aan in stappen van 1/4 slag en controleer op juiste spanning door op de band te lopen met lage snelheid. Zorg dat de band niet verschuift. Blijf de bouten aandraaien totdat de band niet meer verschuift.



- Als u van mening bent dat de bandspanning goed is maar de band nog steeds verschuift, wordt het probleem mogelijk veroorzaakt door een losse motoraandrijfriem onder de voorkap.
- Niet te strak aandraaien Als u de bouten te strak aandraait, raakt de band beschadigt en zullen de lagers vroegtijdig slijten.



Klik om onze ondersteunende YouTube-video te bekijken  
[https://youtu.be/pp4\\_4bL1MXo](https://youtu.be/pp4_4bL1MXo)

### Centreren van de loopband (fig. F-5)

De loopband moet worden gecentreerd wanneer deze niet in het midden van het loopoppervlak loopt. Dit kunt u gemakkelijk zien wanneer de spleet tussen zijwand en de loopband aan de ene kant aanzienlijk groter is dan aan de andere kant.

De oorzaak hiervan is mogelijk:

#### OORZAAK 1

U gebruikt tijdens de training één been krachtiger bij de afzet. Hierdoor wordt de band naar de zijkant geduwd, maar dit wordt automatisch gecorrigeerd als u de loopband enkele minuten onbelast laat lopen.

#### OORZAAK 2

Het toestel staat niet waterpas, waardoor de loopband door de zwaartekracht langzaam naar het laagste punt van het toestel wordt getrokken. Dit kunt u uitsluitend corrigeren door de loopband goed waterpas te zetten. Het probleem kan namelijk niet worden opgelost door middel van een andere afstelling.

#### OORZAAK 3

De loopband is niet goed gecentreerd tussen de voorste en achterste roltrommel. Dit moet worden gecorrigeerd door de sporing van de loopband aan te passen zoals hieronder wordt beschreven.

Om de sporing van de loopband aan te passen, gebruikt u de inbussleutel die bij de loopband is meegeleverd.

- Stel de loopband in op een snelheid van ongeveer 5 km/u als er niet op wordt gelopen.
- Wanneer de loopband naar rechts spoort. Draai de linker afstelbout voor de achterrol, die zich aan de achterkant in een bus onder de afdekplaat van de achterrol bevindt, 1/4 slag linksom.
- Wanneer de loopband naar links spoort. Draai de rechter afstelbout voor de achterrol, die zich aan de achterkant in een bus onder de afdekplaat van de achterrol bevindt, 1/4 slag linksom.
- Wacht ongeveer 2 minuten om de loopband de tijd te geven op de afstelling te reageren voordat u - indien nodig - de afstelstappen herhaalt om het gewenste resultaat te bereiken.

### OPMERKING

- Houd er rekening mee dat een kleine aanpassing een groot verschil kan maken, dus voer de aanpassingen uit in kleine stapjes.



Klik om onze ondersteunende YouTube-video te bekijken  
<https://youtu.be/qx5AvTv00J4>

De bandloop moet mogelijk periodiek opnieuw worden afgesteld, afhankelijk van gebruik en loop-/renkarakteristieken. Sommige gebruikers zullen een ander effect hebben op de bandloop. Ga ervan uit dat u afstellingen zult moeten doorvoeren om de band te centreren. Afstellingen zullen steeds minder een onderhoudsprobleem worden naarmate de band meer wordt gebruikt. Juiste bandloop is de verantwoordelijkheid van de eigenaar en is van toepassing op alle loopbanden.

### LET OP

- Schade aan de band als gevolg van onjuiste afstelling van bandloop/bandspanning valt niet onder de garantie.

## Gebruiksstorings

Ondanks voortdurende kwaliteitscontroles, kunnen er defecten of storings optreden die het gevolg zijn van het niet goed functioneren van onderdelen die in de looptrainer zijn gebruikt. In de meeste gevallen is het onnodig om het gehele apparaat ter reparatie aan te bieden, aangezien de storing meestal kan worden opgelost door het vervangen van het defecte onderdeel.

Mochten er storings optreden bij het gebruik van de trainer, neem dan onmiddellijk contact op met uw Tunturi dealer. Vermeldt daarbij altijd het model en het serienummer van uw Tunturi trainer, de eventuele storingscode en door wie de trainer is geïnstalleerd.

Vermeldt bij het bestellen van onderdelen het model, het serienummer van het apparaat en het nummer van het onderdeel. Op de laatste pagina's van deze gids vindt u de onderdelenlijst.

### Foutcodes

Als de display een foutcode toont (aangegeven met "E" + nummer), start dan het toestel opnieuw op en controleer of de foutcode nog steeds op de display verschijnt. Als de display nog steeds de foutcode toont, neem dan onmiddellijk contact op met de dealer.

### Oil / Lubrication

OIL is geen foutcode, zie "Smeren".

### Cracking or wringing sound at low speed

*When the running belt makes a cracking/ wringing noise when you put your body weight on the running belt during workout, the belt lubrication must be checked and most likely some lubricant is required. This problem mostly happens in the "Limit speed" mode or "Backward walking", as in these modes the running belt operation speeds can be set below 0.5 km/h. See section "Lubrication" for more details on how to check and apply the lubricant status of your running belt.*

### Transport en opslag

#### WAARSCHUWING

- Verwijder voor reiniging of onderhoud de stekker uit het stopcontact.
- Draag en verplaats het toestel met minstens twee personen.
- Zorg ervoor dat zich geen andere personen of voorwerpen onder het toestel bevinden.
- Verplaats de apparatuur zoals afgebeeld (Afb. F7).
- Verwijder het netsnoer voordat je de loopband verplaatst om te voorkomen dat het netsnoer door de wielen wordt gegrepen en schade aan het netsnoer of de stekker veroorzaakt.
- De wielen onder de loopband zijn ontworpen om de loopband te vervoeren, maar wees je ervan bewust dat de loopband extreem zwaar is.
- Vanwege het gewicht van de loopband is het aan te raden om de loopband alleen op een vlakke, stevige en schone ondergrond te vervoeren om schade aan de wielen te voorkomen.

## Garantie

### Garantie voor eigenaars van Tunturi trainingsapparatuur

#### Garantievoorwaarden

De consument heeft recht op de geldende wettelijke rechten met betrekking tot de handel in consumptiegoederen die worden vermeld in de nationale wet- en regelgeving. Deze garantie zal deze rechten niet beperken. De garantie voor de eigenaar geldt alleen wanneer het apparaat wordt gebruikt in een door Tunturi New Fitness BV voor dat specifieke apparaat toegestane omgeving en wordt onderhouden volgens de aanwijzingen. De goedgekeurde omgeving en onderhoudsinstructies voor het product staan vermeld in de "gebruikershandleiding" van het product. De "gebruikershandleiding" kan worden gedownload van onze website. <http://manuals.tunturi.com>

#### Garantievoorwaarden

De garantievoorwaarden gaan in vanaf de datum van aankoop. Deze kunnen per land verschillen. Vraag in de winkel bij u in de buurt naar de garantievoorwaarden.

#### Garantiedekking

In geen enkele omstandigheid zal Tunturi New Fitness BV of een wederverkoper van Tunturi aansprakelijk zijn voor eventuele indirecte schade geleden door de koper, zoals verlies van gebruiksnuut of inkomstenderving of andere indirecte economische gevolgen.

#### Garantiebeperkingen

De garantie dekt defecten van het toestel die het gevolg zijn van materiaalfouten of onjuist uitgevoerd werk, mits het toestel zijn originele samenstelling heeft. De garantie betreft alleen defecten die blijken tijdens normaal gebruik overeenkomstig de meegeleverde gebruiksaanwijzing, mits de montage-, onderhouds- en gebruiksaanwijzingen van Tunturi zijn opgevolgd. Tunturi New Fitness BV en zijn wederverkopers zijn niet aansprakelijk voor defecten tengevolge van factoren waarop zij geen invloed kunnen uitoefenen. De garantie betreft alleen de eerste eigenaar van het toestel en is alleen geldig in landen waar een geautoriseerde importeur van Tunturi New Fitness BV is gevestigd. De garantie betreft geen trainingstoestellen of onderdelen die zijn gewijzigd zonder toestemming van Tunturi New Fitness BV. De garantie dekt geen defecten tengevolge van normale slijtage, onjuist gebruik, gebruik in omstandigheden waarvoor het toestel niet is bedoeld, corrosie of schade ontstaan tijdens laden of transport.

De garantie geldt niet voor geluiden die ontstaan door het gebruik, als ze het gebruik van het apparaat niet wezenlijk belemmeren en niet veroorzaakt zijn door een defect aan het apparaat.

De garantie omvat ook geen onderhoudsmaatregelen, zoals reiniging, smering of normale inspectie van onderdelen, noch dergelijke montagewerkzaamheden die de klant zelf kan uitvoeren en die geen speciale demontage en montage van het toestel vereisen. Dit soort maatregelen zijn bijv. vervanging van monitoren, pedalen of andere vergelijkbare eenvoudige onderdelen. Garantieherstel dat is uitgevoerd door een ander dan de geautoriseerde Tunturi-vertegenwoordiger wordt niet vergoed. De garantie geldt alleen voor normaal, voorgeschreven gebruik van het product zoals beschreven in de handleiding.

## Technische gegevens

Parameter	Meet- eenheid	Waarde
Netspanning	VAC	210~240
Spanning frequentie	HZ	50~60
Snelheid	Km/H	0.1~20.0
Helling-graad	Stap	0~15
Lengte	Cm	196.0
Breedte	Cm	88.0
Hoogte	Cm	154.7
Gewicht	Kg	155.8
Max. gebruikers gewicht	Kb	150
Hartslagmeting beschikbaar via:	Handgreep contact 5.3~ 5.4 Khz. BLE BT ANT+	Ja Ja Ja Nee

#### ⚠ OPMERKING

- Zie illustratie G voor de productafmetingen en functionele afmetingen.

## Verklaring van de fabrikant

Tunturi New Fitness BV verklaart dat het product voldoet aan de volgende normen en richtlijnen: EN-957- (SA), 2014/30/EU. Het product is derhalve voorzien van het CE-label.

03-2023

Tunturi New Fitness BV  
Purmerweg 1  
1311 XE Almere  
The Netherlands

## Disclaimer

© 2023 Tunturi New Fitness BV  
Alle rechten voorbehouden.

- Het product en de handleiding zijn aan veranderingen onderhevig.
- Specificaties kunnen zonder verdere kennisgeving worden veranderd.
- Raadpleeg onze website voor de meest recente versie van de gebruikershandleiding.

## Italiano

Questo manuale in lingua italiana è una traduzione dalla versione originale del manuale in lingua inglese.  
Non si possono trarre diritti di traduzione dalla presente traduzione.

## Indice

<b>Benvenuti .....</b>	<b>83</b>
<b>Precauzioni di sicurezza.....</b>	<b>84</b>
Sicurezza elettrica.....	84
<b>Istruzioni di montaggio.....</b>	<b>84</b>
Illustrazione di descrizione A .....	84
Illustrazione di descrizione B.....	85
Illustrazione di descrizione C .....	85
Illustrazione di descrizione D .....	85
Serrare dadi e bulloni .....	85
Informazioni aggiuntive.....	85
Zona di allenamento libera (Fig. D-0).....	85
<b>Allenamenti.....</b>	<b>85</b>
Istruzioni per l'esercizio.....	85
Frequenza cardiaca.....	86
<b>Utilizzo.....</b>	<b>87</b>
Regolazione dei piedini di appoggio .....	87
Core-bar (barra da allenamento piegata alle estremità).....	87
Fascia di resistenza elastica.....	88
<b>Console (fig E-1) .....</b>	<b>88</b>
Pulsanti .....	88
Funzioni specifiche dei pulsanti della modalità Sled (Slitta) .....	89
Funzioni specifiche dei pulsanti della modalità Limit Speed (Velocità limite) .....	89
Funzioni specifiche dei pulsanti della modalità Backward (Indietro) .....	89
Spiegazione delle voci presenti sul display.....	89
Spiegazione del bip acustico del display .....	90
Funzione USB .....	90
<b>Funzionamento della console .....</b>	<b>90</b>
Quick Start (Avvio rapido) .....	90
Terminare o mettere in pausa l'allenamento.....	90
<b>Programmi Sled (Slitta).....</b>	<b>90</b>
Funzione Sled (Slitta) per tapis roulant .....	90
Goal Distance (Distanza obiettivo).....	90
Goal Time (Tempo obiettivo).....	90
Manual (Manuale) .....	91
Custom (Personalizzato) .....	91
Strength Test (Prova di resistenza).....	91
<b>Programmi per tapis roulant .....</b>	<b>91</b>
Limit mode (Modalità limite) .....	91
Programmi P1-P5.....	92
Programmi P6 - P10.....	92
Utente.....	92
HRC.....	93
Allenamento obiettivo.....	93
Backward Walking (Camminata all'indietro).....	93
Bluetooth & APP.....	93

<b>Pulizia e manutenzione .....</b>	<b>93</b>
Pulizia generale .....	94
Cinghia e Pedana per la corsa.....	94
Lubrificazione (Fig. F-6) .....	94
Registrazioni della cinghia.....	94
<b>Disturbi durante l'uso .....</b>	<b>95</b>
Codici di errore.....	95
Oil / Lubrication.....	95
Cracking or wringing sound at low speed .....	95
<b>Trasporto e stoccaggio .....</b>	<b>96</b>
<b>Garanzia.....</b>	<b>96</b>
<b>Dati tecnici.....</b>	<b>96</b>
<b>Dichiarazione del fabbricante .....</b>	<b>96</b>
<b>Clausola di esonero della responsabilità.....</b>	<b>96</b>

## Benvenuti

Benvenuti nel mondo di Tunturi Fitness!

Grazie per aver acquistato questo apparecchio Tunturi. Tunturi offre un'ampia gamma di apparecchi per fitness professionale, fra cui crosstrainer, tapis roulant, cyclette, vogatori, panche di forza e multi stazioni. Questo apparecchio Tunturi è adatto per tutta la famiglia, a prescindere dal livello di forma fisica. Per ulteriori informazioni, visitare il sito Web [www.tunturi.com](http://www.tunturi.com)

### Importanti istruzioni di sicurezza

Questo libretto di istruzioni è una parte essenziale della tua attrezzatura da ginnastica. Leggi con attenzione quanto scritto in questa guida, prima del montaggio dei pezzi e prima di fare uso dell'attrezzo o di effettuare qualunque manutenzione. Ti raccomandiamo pure di conservare la presente guida in un luogo sicuro e a portata di mano; essa ti fornirà, adesso e nel futuro, tutte le istruzioni necessarie all'uso e alla manutenzione della tua attrezzatura da ginnastica. Tali istruzioni devi seguirle sempre con molta attenzione!

## Precauzioni di sicurezza

### ⚠ ATTENZIONE

- Leggere le precauzioni di sicurezza e le istruzioni. La mancata osservanza delle precauzioni di sicurezza e delle istruzioni può causare lesioni personali o danni all'apparecchio. Conservare gli avvisi di sicurezza e le istruzioni per future consultazioni.

### ⚠ ATTENZIONE

- Il sistema di monitoraggio della frequenza cardiaca può essere impreciso. L'eccessivo esercizio può causare serie lesioni o perfino il decesso. Se si avverte spossatezza, interrompere immediatamente l'allenamento.
- L'apparecchio è adatto esclusivamente per un uso domestico, non professionale.
  - L'uso di questo apparecchio da parte di bambini o persone con handicap fisici, sensoriali, mentali o motori o privi di esperienza e di competenze può causare pericoli. Le persone responsabili per la loro sicurezza devono fornire esplicite istruzioni o supervisionare l'uso dell'apparecchio.
  - Prima di iniziare l'allenamento, consultare un medico per verificare il proprio stato di salute.
  - Se si avvertono nausea, vertigini o altri sintomi anomali, interrompere immediatamente l'allenamento e consultare un medico.
  - Per evitare dolori muscolari e sforzi, iniziare ogni allenamento con una fase di riscaldamento e terminare ogni allenamento con una fase di defaticamento. Ricordarsi di eseguire lo stretching al termine dell'allenamento.
  - L'apparecchio è adatto esclusivamente per un uso in interni. L'apparecchio non è idoneo per un uso all'aperto.
  - Utilizzare l'apparecchio in un ambiente con ventilazione adeguata. Non utilizzare in ambienti esposti alle correnti d'aria per non prendere un raffreddore.
  - Utilizzare l'apparecchio esclusivamente in ambienti con temperature comprese fra 10 °C e 35 °C. Conservare l'apparecchio esclusivamente in ambienti con temperature comprese fra 5 °C e 45 °C.
  - Non utilizzare o riporre l'apparecchio in ambienti umidi. L'umidità dell'aria non deve mai superare l'80%.
  - Utilizzare l'apparecchio solo per lo scopo previsto. Non utilizzare l'apparecchio per scopi diversi da quelli descritti nel manuale.
  - Non usare l'apparecchio se presenta parti danneggiate o difettose. In caso di parti danneggiate o difettose contattare il rivenditore.
  - Mantenere mani, piedi e le altre parti del corpo lontani dalle parti in movimento.
  - Tenere i capelli lontani dalle parti in movimento.
  - Indossare indumenti e scarpe adatti.
  - Mantenere abiti, gioielli e altri oggetti lontani dalle parti in movimento.
  - Controllare che l'apparecchio venga utilizzato da una sola persona alla volta. L'apparecchio non deve essere utilizzato da persone di peso superiore a 150 kg (330 lbs).
  - Non smontare l'apparecchio senza aver consultato il rivenditore.

### Sicurezza elettrica

(valido solo per apparecchi elettrici)

- Prima dell'uso, verificare sempre che la tensione della rete elettrica corrisponda alla tensione riportata sulla targhetta nominale dell'apparecchio.
- Non utilizzare cavi di prolunga.
- Tenere il cavo di alimentazione lontano da fonti di calore, olio e bordi affilati.

- Non alterare o modificare il cavo o la spina di alimentazione.
- Non utilizzare l'apparecchio se il cavo o la spina di alimentazione sono danneggiati o difettosi. Se il cavo o la spina di alimentazione risultano danneggiati o difettosi, contattare il rivenditore.
- Svolgere sempre completamente il cavo di alimentazione
- Non far passare il cavo di alimentazione sotto l'apparecchio. Non far passare il cavo di alimentazione sotto un tappeto. Non collocare alcun oggetto sul cavo di alimentazione.
- Verificare che il cavo di alimentazione non sporga sul bordo di un tavolo. Verificare che il cavo di alimentazione non possa rimanere accidentalmente impigliato o causare inciampanti.
- Non lasciare l'apparecchio incustodito quando la spina di alimentazione è collegata alla presa a muro.
- Non tirare il cavo di alimentazione per rimuovere la spina dalla presa a muro.
- Scollegare la spina di alimentazione dalla presa a muro quando l'apparecchio non è in uso, prima di assemblare o di smontare l'apparecchio o di qualsiasi intervento di pulizia o manutenzione.

### ⚠ ATTENZIONE

- Se il voltaggio varia del dieci per cento (10%) o più, le prestazioni del vostro tapis roulant potrebbero essere influenzate. Tali condizioni non sono coperte dalla vostra garanzia. Se sospettate che il voltaggio sia basso, contattate la vostra azienda elettrica locale o un elettricista qualificato per fare dei test appropriati.

### ⚠ ATTENZIONE

- Non far passare il cavo di alimentazione vicino a parti in movimento del tapis roulant, incluso il meccanismo di sollevamento e le ruote di trasporto.

### Istruzioni per la messa a terra

Questo prodotto va messo a terra. Se il sistema elettrico del tapis roulant non funziona bene o rompersi, la messa a terra fornisce un percorso di resistenza inferiore per la corrente elettrica, riducendo il rischio di scossa elettrica. Questo prodotto è dotato di un cavo che una spina di messa a terra. La spina deve essere inserita in una presa idonea che sia stata installata correttamente e che sia messa a terra secondo le procedure e le ordinanze locali.

### ⚠ AVVERTIMENTO

- Un collegamento scorretto del conduttore di messa a terra dell'apparecchio può comportare un rischio di scossa elettrica. In caso di dubbi sulla corretta messa a terra di questo prodotto, consultare un elettricista o addetto all'assistenza qualificato. Non modificare la spina fornita con il prodotto se non dovesse entrare nella presa di corrente; farsi installare una presa di corrente idonea da un elettricista qualificato.

## Istruzioni di montaggio

### Illustrazione di descrizione A

L'illustrazione mostra l'aspetto del trainer una volta completato l'assemblaggio.

È possibile utilizzarla come riferimento durante l'assemblaggio, ma è importante seguire sempre i passaggi di assemblaggio nella sequenza corretta come illustrato.

### Illustrazione di descrizione B

L'illustrazione mostra quali componenti e parti sono presenti al momento del disimballaggio del prodotto.

#### **NOTA**

- Le parti di piccole dimensioni potrebbero trovarsi nascoste o infilate in spazi ristretti nella protezione del prodotto in Styrofoam
- Se una parte manca, contattare il rivenditore.

### Illustrazione di descrizione C

L'illustrazione mostra il kit di attrezzatura fornito con il prodotto. Il kit di attrezzatura contiene bulloni, rondelle, viti, dadi ecc. e gli strumenti necessari per installare correttamente il trainer.

### Illustrazione di descrizione D

Le illustrazioni mostrano di seguito l'ordine corretto con cui assemblare il trainer nel modo migliore.

#### **NOTA**

- I numeri delle parti visualizzati nei passaggi dell'assemblaggio iniziano con lo schema delle parti di ricambio presente nel manuale utente della versione completa online.

#### **ATTENZIONE**

- Assemblare l'apparecchio nell'ordine indicato.
- Per trasportare e spostare l'apparecchio sono necessarie almeno due persone.

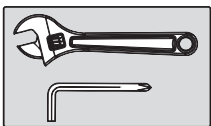
#### **AVVISO**

- Collocare l'apparecchio su una superficie stabile e in piano.
- Collocare l'apparecchio su una base protettiva per evitare danni alla superficie del pavimento.
- Mantenere uno spazio libero di almeno 1 m intorno all'apparecchio.
- Consultare le illustrazioni per il corretto assemblaggio dell'apparecchio.

#### **NOTA**

- Conservare tutti gli utensili forniti con questo prodotto, dopo aver completato il montaggio del prodotto, per eventuali necessità di assistenza in futuro.

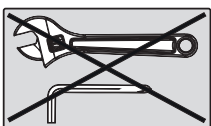
### Serrare dadi e bulloni



Fissare saldamente dadi e bulloni una volta che tutti i componenti sono stati assemblati nei passaggi correnti e precedenti.

#### **NOTA**

- Non serrare eccessivamente qualsiasi componente avente la funzione di perno.
- Assicurarsi che tutti i componenti siano in grado di muoversi liberamente.



Non fissare tutti i dadi e i bulloni in questo passaggio.

### Informazioni aggiuntive

#### **Smaltimento dell'imballo**

Le linee guide governative chiedono di ridurre la quantità di rifiuti smaltiti nelle discariche. Per questo vi chiediamo di smaltire in modo responsabile tutti i rifiuti d'imballo presso dei centri di riciclaggio pubblici.

#### **Smaltimento a fine vita**

Noi di Tunturi speriamo che possiate godervi molti anni di piacevole uso dal nostro fitness trainer. Tuttavia, arriverà il momento quando il vostro fitness trainer arriverà alla fine della sua vita utile. Secondo la Legislazione Europea WEEE voi siete responsabili per uno smaltimento appropriato del vostro fitness trainer presso una struttura di raccolta pubblica autorizzata.

### Zona di allenamento libera (Fig. D-0)

#### **Parte anteriore dell'attrezzatura**

Lasciare almeno 30 cm di spazio davanti all'apparecchiatura.

- La zona di allenamento libera per questa sezione può essere condivisa con altre attrezzature dello stesso tipo quando entrambe sono una di fronte all'altra.

#### **Parte laterale dell'attrezzatura.**

Lasciare uno spazio libero di almeno 60 cm su ciascun lato dell'apparecchiatura.

- La zona di allenamento libera per questa sezione può essere condivisa con altre attrezzature dello stesso tipo quando entrambe sono una di fronte all'altra.

#### **Lato posteriore dell'attrezzatura**

Lasciare uno spazio libero di almeno 200 cm dietro l'apparecchiatura.

- La zona di allenamento libera per questa sezione non può essere condivisa con altre attrezzature dello stesso tipo, lo spazio libero extra richiesto dipende dall'orientamento di entrambe le attrezzature e dovrebbe essere la somma di entrambi i valori.

### Allenamenti

L'allenamento deve essere adeguatamente leggero ma di lunga durata. L'esercizio aerobico si basa sul miglioramento del consumo massimo di ossigeno del corpo che a sua volta migliora resistenza e forma fisica. Durante l'allenamento è necessario sudare ma non arrivare all'affanno. Per raggiungere e mantenere una forma fisica di base, allenarsi almeno tre volte alla settimana, per 30 minuti alla volta. Aumentare il numero di sessioni di esercizio per migliorare il livello di forma fisica. È importante combinare l'esercizio regolare con una dieta salutare. Una persona impegnata a seguire una dieta dovrà allenarsi quotidianamente, iniziando con 30 minuti o meno e aumentando gradualmente l'allenamento giornaliero fino ad un'ora. Iniziare l'allenamento a bassa velocità e con scarsa resistenza per evitare di sottoporre a uno stress eccessivo il sistema cardiovascolare. Man mano che il livello di forma fisica aumenta, è possibile aumentare gradualmente anche velocità e resistenza. L'efficienza dell'allenamento può essere misurata monitorando la frequenza cardiaca e le pulsazioni.

### Istruzioni per l'esercizio

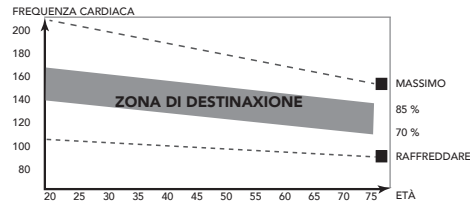
L'utilizzo del vostro fitness trainer vi darà diversi benefici, migliorerà la vostra forma fisica, tono muscolare e, insieme a una dieta con le calorie sotto controllo, vi aiuterà a perdere peso.

### La fase di riscaldamento

Questa fase aiuta a far scorrere il sangue nel corpo e a far funzionare correttamente i muscoli. Ridurrà anche il rischio di crampi e di lesioni muscolari. Si consiglia di fare qualche esercizio di stretching come mostrato qui di seguito. Ogni esercizio di stretching andrebbe mantenuto per circa 30 secondi, non forzare o strappare i muscoli durante l'esercizio, se si sente un dolore FERMARSI SUBITO

### La fase dell'esercizio

Questa è la fase dove fate il vostro sforzo. Dopo un uso regolare, i muscoli delle vostre gambe diventeranno più flessibili. Lavorare nell'ottica del vostro obiettivo è molto importante per mantenere un ritmo costante durante l'esercizio. La velocità del vostro lavoro dovrebbe essere sufficiente per aumentare il vostro battito cardiaco nella zona target mostrata sul grafico qui sotto.



Questa fase dovrebbe durare almeno 12 minuti anche se la maggior parte delle persone inizia a circa 15-20 minuti

### La fase di defaticamento

Questa fase consente al vostro sistema cardiovascolare e ai vostri muscoli di rilassarsi. Questa è una ripetizione dell'esercizio di riscaldamento, cioè riduce il vostro ritmo, e continua per circa 5 minuti. Gli esercizi di stretching adesso andrebbero ripetuti, ricordandosi sempre di non forzare o strappare i vostri muscoli nello stretching.

A mano a mano che sarete più in forma, potreste aver bisogno di allenarvi di più e più a lungo. Si consiglia di allenarsi almeno tre volte alla settimana, e se possibile, spalmare gli esercizi in

### Tono muscolare

Per tonificare i muscoli mentre siete sul vostro fitness trainer dovrete impostare la resistenza abbastanza alta. Questo sforzerà di più i muscoli delle vostre gambe e potrebbe voler dire che non potrete allenarvi per il tempo che avreste desiderato. Se anche voi state cercando di migliorare la vostra forma dovrete modificare il vostro programma di allenamento. Dovreste allenarvi normalmente durante le fasi di riscaldamento e di defaticamento, ma verso la fine della fase dell'esercizio dovrete aumentare la resistenza, per fare lavorare di più le vostre gambe. Dovreste ridurre la vostra velocità per mantenere la vostra frequenza cardiaca nella zona target.

### Perdere peso

Qui il fattore importante è la quantità di sforzo che mettete. Più forte e a lungo lavorate e più calorie brucerete. In effetti è uguale a come se stesse allenandovi per migliorare la vostra forma, la differenza è l'obiettivo.

### Frequenza cardiaca

#### Misurazione delle pulsazioni (sensori del cardiofrequenzimetro)

Le pulsazioni vengono misurate da sensori posti sulle impugnature quando l'utente tocca entrambi i sensori contemporaneamente. Un'accurata misurazione delle pulsazioni richiede che la pelle sia leggermente umida e costantemente a contatto con i sensori del cardiofrequenzimetro. Se la pelle è troppo asciutta o troppo bagnata, la misurazione delle pulsazioni diventa meno accurata.

#### NOTA

- Non utilizzare i sensori del cardiofrequenzimetro in combinazione con una fascia toracica per la misurazione della frequenza cardiaca.
- Impostando un limite per la frequenza cardiaca, viene generato un allarme acustico al superamento di tale limite.

#### Misurazione della frequenza cardiaca (fascia toracica)

#### NOTA

- La fascia toracica non è di serie con questa macchina. Se si desidera utilizzare una fascia toracica wireless, è necessario acquistarla come accessorio.

La misurazione della frequenza cardiaca più accurata si ottiene tramite una fascia cardiaca. La misurazione viene effettuata da un ricevitore della frequenza cardiaca combinato con una fascia toracica trasmittente. Per un'accurata misurazione della frequenza cardiaca, gli elettrodi sulla fascia del trasmettitore devono essere leggermente umidi e costantemente a contatto con la pelle. Se gli elettrodi sono troppo asciutti o troppo bagnati, la misurazione della frequenza cardiaca diventa meno accurata.

#### ATTENZIONE

- Se l'utente è portatore di pacemaker, consultare un medico prima di utilizzare una fascia toracica per la misurazione della frequenza cardiaca.

#### AVVISO

- In presenza di numerosi dispositivi per la misurazione della frequenza cardiaca vicini, verificare che siano almeno ad una distanza di 1,5 metri uno dall'altro.
- In presenza di un solo ricevitore e numerosi trasmettitori di frequenza cardiaca, verificare che solo una persona con un trasmettitore sia all'interno del campo di trasmissione.

#### NOTA

- Non utilizzare i sensori del cardiofrequenzimetro in combinazione con una fascia toracica per la misurazione della frequenza cardiaca.
- Indossare sempre la fascia toracica sotto gli abiti a diretto contatto con la pelle. Non indossare la fascia toracica sopra gli abiti. Indossando la fascia toracica sopra gli abiti, non sarà trasmesso alcun segnale.
- Impostando un limite per la frequenza cardiaca, viene generato un allarme acustico al superamento di tale limite.
- Il trasmettitore trasmette la frequenza cardiaca alla console fino ad una distanza di 1 metro. Se gli elettrodi non sono umidi, la frequenza cardiaca non viene visualizzata sul display.
- Alcune fibre negli abiti (ad es. poliestere, poliammide) creano elettricità statica che può impedire un'accurata misurazione della frequenza cardiaca.
- Cellulari, TV e altri apparecchi elettrici creano un campo magnetico che può impedire un'accurata misurazione della frequenza cardiaca.

#### Massima frequenza cardiaca (durante l'allenamento)

La massima frequenza cardiaca è la frequenza cardiaca più elevata che una persona può raggiungere in sicurezza durante lo stress dell'allenamento. Per calcolare la massima frequenza cardiaca media, viene utilizzata la seguente formula:  $220 - \text{ETÀ}$ . La massima frequenza cardiaca varia da persona a persona.

#### ATTENZIONE

- Porre attenzione a non superare la massima frequenza cardiaca durante l'allenamento. In caso di appartenenza ad un gruppo a rischio, consultare un medico.

**Principianti 50-60% della massima frequenza cardiaca**

Adatta per persone in fase di dieta dimagrante, principianti, convalescenti e per chi non fa esercizio da molto tempo. Allenarsi almeno tre volte alla settimana, per 30 minuti alla volta.

**Livello avanzato 60-70% della massima frequenza cardiaca**

Adatta per coloro che desiderano migliorare e mantenere la forma fisica. Allenarsi almeno tre volte alla settimana, per 30 minuti alla volta.

**Esperti 70-80% della massima frequenza cardiaca**

Adatta per le persone in perfetta forma fisica abituate ad allenamenti che richiedono molta resistenza.

**Utilizzo****Interruttore di alimentazione principale (fig. E-2A)**

L'apparecchio è dotato di un interruttore di alimentazione principale per spegnere completamente l'apparecchio.

**Per avviare l'apparecchio:**

- Inserire la spina elettrica nell'apparecchio.
- Inserire la spina elettrica nella presa di corrente.
- Mettere l'interruttore principale in posizione on.

**Per spegnere l'apparecchio:**

- Mettere l'interruttore di alimentazione su off.
- Togliere la spina elettrica dalla presa elettrica.
- Togliere la spina elettrica dall'apparecchio.

**Chiave di sicurezza (Fig F-4)**

L'attrezzo è dotato di una chiave di sicurezza che va inserita correttamente nella console per eseguire l'avvio. Se la chiave di sicurezza viene estratta parzialmente, si attiva la modalità di emergenza e l'attrezzo si fermerà immediatamente.

Anche la chiave di sicurezza verrà espulsa dalla posizione quando viene premuto il pulsante rosso di emergenza.

- Inserire la chiave di sicurezza nella fessura della console premendo verso l'interno.
- Accertarsi che la clip della chiave di sicurezza sia fissata bene ai propri indumenti.
- Accertarsi che la clip fissata ai propri indumenti sia fissata bene di modo che possa tirare fuori la chiave in caso di necessità.

**NOTA**

- La console mostrerà un testo a lettura scorrevole: "PUT THE SAFETY KEY ON" (metti la chiave di sicurezza su on) e avrà anche linee di scorrimento verticali nella schermata principale nel caso in cui la chiave di sicurezza non si trovi nella posizione corretta.

**Interruttore automatico (Fig. E-2B)**

L'apparecchio è dotato di un interruttore automatico che interrompe il circuito quando il carico di elettricità supera la capacità massima. Se ciò si verifica, si deve premere l'interruttore automatico.

**AVVERTIMENTO**

- Prima di premere l'interruttore automatico, togliere la spina elettrica dall'apparecchio.

Se l'apparecchio si spegne, procedere nel seguente modo per riavviare l'apparecchio:

- Togliere la spina elettrica dall'apparecchio.
- Premere l'interruttore automatico per avviare l'apparecchio.
- Inserire la spina elettrica nell'apparecchio.

**NOTA**

- Alcuni interruttori automatici usati nelle case non sono idonei per i picchi di corrente che si possono verificare quando un tapis roulant viene acceso o anche durante l'uso normale. Se il vostro tapis roulant fa scattare l'interruttore automatico (anche se ha l'ampereaggio corretto e il tapis roulant è il solo apparecchio sul circuito) ma l'interruttore sul tapis roulant stesso non scatta, dovrete sostituire l'interruttore con un tipo adatto alle correnti di picco più elevate. Questo non è un difetto coperto dalla garanzia. Si tratta di una condizione che noi, in quanto produttori, non siamo in grado di controllare.

**Regolazione dei piedini di appoggio**

L'attrezzo è dotato di piedini di appoggio regolabili.

Se risulta instabile, traballante o non ben livellata, questi piedini di appoggio possono essere regolati per apportare le correzioni richieste.

- Avvitare/svitare i piedini di appoggio come richiesto per mettere l'attrezzo in una posizione stabile e il più possibile livellata.
- Serrare il controdado\* per bloccare i piedini di appoggio.

**CONSIGLIO RAPIDO**

- È più facile farlo con due persone, dove una persona può inclinare l'attrezzo, mentre l'altra effettua la regolazione necessaria.

**NOTA**

- L'attrezzo è più stabile se regolato più vicino al pavimento. Pertanto, iniziare a livellare l'attrezzo avvitando completamente tutti i piedini di appoggio, prima di svitare i piedini di appoggio per stabilizzare e livellare l'attrezzo.

**Core-bar (barra da allenamento piegata alle estremità)**

La core-bar deve essere messa in posizione di riposo per la funzione di camminata/corsa su tapis roulant, mentre deve essere impostata in modalità di funzionamento per le funzioni della slitta.

**Fissare la Core-Bar prima di correre (Fig F-1)****NOTA**

- Staccare le fasce di resistenza elastiche aggiuntive prima di mettere la core-bar in posizione di riposo, sganciandole dalla core-bar.

- Tirare la manopola a scatto e ruotarla in senso antiorario fino a quando la manopola non si abbassa automaticamente.
- Stare sulle sponde laterali e spingere la core-bar in avanti fino a quando il perno a scatto non bloccherà la core-bar scendendo completamente verso il basso.
- Per spingere in avanti la core-bar serve una forza d'intensità media

**Liberare la core-bar per la funzione slitta (Fig F-2)****NOTA**

- Assicurarsi che la core-bar sia priva di accessori prima di liberarla.
- Tirare la manopola a scatto verso l'alto e ruotarla in senso orario per mantenerla in posizione sollevata.
- La core-bar si muoverà automaticamente in posizione operativa spostandosi all'indietro.

## Fascia di resistenza elastica

Le fasce di resistenza elastiche possono essere utilizzate per aumentare la resistenza della core-bar nelle funzioni della modalità slitta.

Basta agganciare una o entrambe le fasce di resistenza elastiche sul lato inferiore della core-bar per aumentare la resistenza a proprio piacimento. (Fig. F-3)

## Console (fig E-1)

### ⚠ AVVISI

- Non esporre la console alla luce solare diretta.
- Asciugare la superficie della console se è coperta da gocce di sudore.
- Non appoggiarsi sulla console.
- Toccare il display solo con la punta delle dita. Non toccare il display con le unghie o con oggetti appuntiti.

### 🔊 NOTA

- La console passa in modalità standby quando l'apparecchio non viene utilizzato per 4 minuti.

## Pulsanti

### Vedere (Fig. E-1)

#### ⚠ ATTENZIONE

- Alcuni pulsanti hanno funzioni diverse a seconda dell'impostazione funzionale del tapis roulant.
- Le informazioni sulle funzioni dei pulsanti principali si applicano alle funzioni quando il tapis roulant è in modalità operativa normale.
- I pulsanti con funzioni diverse in altre modalità funzionali sono citati separatamente nelle sezioni:
  - Funzioni specifiche dei pulsanti della modalità Slitta.
  - Funzioni specifiche dei pulsanti della modalità Velocità limite.
  - Funzioni specifiche dei pulsanti della modalità Indietro.

## Emergenza

- Premendo il pulsante rosso di emergenza si attiverà l'arresto di emergenza, il che arresterà rapidamente il movimento del nastro scorrevole.
- Premendo il pulsante di emergenza, la chiave di sicurezza fuoriesce leggermente, evitando così una ripartenza accidentale del tapis roulant.
- Inserire completamente la chiave di sicurezza nell'apposita fessura per disattivare la modalità di arresto d'emergenza.

## Enter (Invio)

Confermare i dati impostati nella modalità di programmazione delle impostazioni.

## Meno

Diminuire il valore nella modalità di programmazione delle impostazioni.

## Più

Aumentare il valore nella modalità di programmazione delle impostazioni.

## Start (Avvio)

In modalità di arresto, premere il pulsante per avviare l'allenamento. In modalità pausa, premere il pulsante per continuare l'allenamento.

## Return (Ritorno)

Premere il pulsante per tornare al menu di impostazione.

## Stop/Pause (Stop/Pausa)

In modalità allenamento, premere per impostare il tapis roulant in modalità pausa.

In modalità pausa, premere per impostare il tapis roulant in modalità di arresto.

## Pulsanti di selezione rapida dei programmi Sled (Slitta)

In modalità di arresto, premere il pulsante per selezionare un programma di funzione slitta e aprire il menu di impostazione associato al programma.

I programmi Sled (Slitta) sono: Goal Distance (Distanza obiettivo), Goal Time (Tempo obiettivo), Manual (Manuale), Custom (Personalizzato), Strength Test (Prova di forza)

## Pulsanti di selezione rapida dei programmi del tapis roulant

In modalità di arresto, premere il pulsante per selezionare un programma di funzione del tapis roulant e aprire il menu di impostazione del programma associato.

I programmi Treadmill (Tapis roulant) sono: Limit Mode (Modalità limite), P1-P5, P6-P10, User (Utente), HRC, Goal Training (Allenamento obiettivo), Backward Walking (Camminata all'indietro)

## Pulsanti della barra del manubrio sinistro - Stop

La funzione è la stessa del pulsante "Stop/Pause" (Stop/Pausa) situato sulla pulsantiera principale.

## Pulsanti del manubrio sinistro - Incline (Pendenza) Meno

- Diminuisce la pendenza (0 ~ 15 -1)
- Cambiare i valori in modalità programmazione.

## Pulsanti del manubrio sinistro - Incline (Pendenza) Più

- Aumenta la pendenza (0 ~ 15 +1).
- Cambiare i valori in modalità programmazione.

## Pulsanti del manubrio sinistro - Tasti rapidi della pendenza

- I tasti rapidi per la pendenza sono impostati come 2, 4, 6, 8, 10 e 12
- Esempio di utilizzo del tapis roulant in modalità funzione tapis roulant.  
Il livello di pendenza cambia da qualsiasi livello a 6 premendo il tasto rapido Pendenza 6.

## Manubrio destro Speed/Sled (Velocità/Slitta) - Start (Avvio)

La funzione è la stessa del pulsante "Start" (Avvio) situato sulla pulsantiera principale.

## Manubrio destro Speed/Sled (Velocità/Slitta) - Meno

- Diminuisce la velocità (0,5 ~ 20,0 km/h).
- Premendo una sola volta si diminuisce la velocità di 0,1 km/h.
- Tenendo premuto il tasto per due secondi si diminuisce la velocità più rapidamente.
- Cambiare i valori in modalità programmazione.

## Manubrio destro Speed/Sled (Velocità/Slitta) - Più

- Aumenta la velocità (0,5 ~ 20,0 km/h).
- Premendo una sola volta si aumenta la velocità di 0,1 km/h.
- Tenendo premuto il tasto per due secondi si aumenta la velocità più rapidamente.
- Cambiare i valori in modalità programmazione.



### Manubrio destro Speed/Sled (Velocità/Slitta) - Tasti rapidi

- i tasti "Speed/Sled" (Velocità/Slitta) sono impostati come 3, 6, 9, 12, 15 e 18.
- Ad esempio, quando il tapis roulant è usato in modalità funzione tapis roulant.  
La velocità cambia da qualsiasi velocità a 9 km/h premendo il tasto rapido 9.

### Funzioni specifiche dei pulsanti della modalità Sled (Slitta)

#### Manubrio Speed/Sled (Velocità/Slitta) - Meno

- Diminuisce la resistenza della slitta (1 ~ 100%).
- Premendo una volta, la resistenza diminuisce dell'1%.
- Tenendo premuto il tasto per due secondi si diminuisce la resistenza più rapidamente.
- Scorrere i programmi e cambiare i valori nella modalità di programmazione.

#### Manubrio Speed/Sled (Velocità/Slitta) - Più

- Aumenta la resistenza della slitta (1 ~ 100%).
- Premendo una volta si aumenta la resistenza dell'1%.
- Tenendo premuto il tasto per due secondi si aumenta la resistenza più rapidamente.
- Scorrere i programmi e cambiare i valori nella modalità di programmazione.

#### Manubrio Speed/Sled (Velocità/Slitta) - Tasti rapidi

Quando il tapis roulant è impostato sulla funzione Sled (Slitta), i tasti rapidi sono programmati per rappresentare

Pulsante rapido 3	15%	Pulsante rapido 12	60%
Pulsante rapido 6	30%	Pulsante rapido 15	75%
Pulsante rapido 9	45%	Pulsante rapido 18	90%

- Quando si preme un pulsante rapido, la resistenza viene impostata istantaneamente sulla resistenza iniziale.
- Ad esempio, quando il tapis roulant viene utilizzato in modalità slitta e si preme il pulsante 9, la resistenza passa direttamente al 45%.

### Funzioni specifiche dei pulsanti della modalità Limit Speed (Velocità limite)

#### Manubrio Speed/Sled (Velocità/Slitta) - Meno

- Diminuisce la velocità (0,1 ~ 2,5 km/h).
- Premendo una sola volta si diminuisce la velocità di 0,1 km/h.
- Tenendo premuto il tasto per due secondi si diminuisce la velocità più rapidamente.

#### Manubrio Speed/Sled (Velocità/Slitta) - Più

- Aumenta la velocità (0,1 ~ 2,5 km/h).
- Premendo una sola volta si aumenta la velocità di 0,1 km/h.
- Tenendo premuto il tasto per due secondi si aumenta la velocità più rapidamente.

#### Manubrio Speed/Sled (Velocità/Slitta) - Tasti rapidi

Quando il tapis roulant è impostato sulla funzione Velocità limite, i tasti rapidi sono programmati in modo da rappresentare

Pulsante rapido 3	0,6	Pulsante rapido 12	1,5
Pulsante rapido 6	0,9	Pulsante rapido 15	1,8
Pulsante rapido 9	1,2	Pulsante rapido 18	2,1

- Quando si preme un pulsante rapido, la velocità viene impostata istantaneamente sulla velocità iniziale
- Esempio di utilizzo del tapis roulant in modalità Velocità limite.  
La velocità passa da una velocità qualsiasi a 1,2 km/h premendo il tasto rapido Velocità 9.

### Funzioni specifiche dei pulsanti della modalità Backward (Indietro)

#### Manubrio Speed/Sled (Velocità/Slitta) - Meno

- Diminuisce la velocità (0,1 ~ 2,5 km/h).
- Premendo una sola volta si diminuisce la velocità di 0,1 km/h.
- Tenendo premuto il tasto per due secondi si diminuisce la velocità più rapidamente.

#### Manubrio Speed/Sled (Velocità/Slitta) - Più

- Aumenta la velocità (0,1 ~ 2,5 km/h).
- Premendo una sola volta si aumenta la velocità di 0,1 km/h.
- Tenendo premuto il tasto per due secondi si aumenta la velocità più rapidamente.

#### Manubrio Speed/Sled (Velocità/Slitta) - Tasti rapidi

Quando il tapis roulant è impostato sulla funzione modalità Backwards (Indietro), i tasti rapidi sono programmati in modo da rappresentare

Pulsante rapido 3	0,6	Pulsante rapido 12	1,5
Pulsante rapido 6	0,9	Pulsante rapido 15	1,8
Pulsante rapido 9	1,2	Pulsante rapido 18	2,1

- Quando si preme un pulsante rapido, la velocità viene impostata istantaneamente sulla velocità iniziale
- Esempio di utilizzo del tapis roulant in modalità di velocità all'indietro.  
La velocità passa da qualsiasi velocità a 1,2 km/h premendo il tasto rapido Speed (Velocità) 9.

### Spiegazione delle voci presenti sul display

#### Matrice a punti

- La matrice a punti mostra il profilo del programma in due sezioni, come indicato di seguito.
- Le prime 10 righe rappresentano l'impostazione della pendenza
  - Le seconde 10 righe rappresentano l'impostazione della velocità in modalità tapis roulant.
  - L'intensità Sled (Slitta) quando è in modalità slitta.
  - Visualizza i dati dei parametri quando si è in modalità di programmazione.

#### Incline (Pendenza)

- Visualizza la pendenza reale del tapis roulant in modalità allenamento.
- Mostra l'obiettivo di pendenza in modalità programmazione.

#### Speed/Sled (Velocità/Slitta)

- Speed/Sled (Velocità/Slitta) è una finestra condivisa con funzioni diverse a seconda della modalità del tapis roulant.  
Quando il tapis roulant è in modalità funzione Tapis roulant (anche velocità limite e velocità all'indietro)
- Mostra la velocità effettiva del tapis roulant in Km/h.
  - Mostra l'obiettivo di velocità in modalità programmazione.

Quando il tapis roulant è in modalità funzione Slitta.

- Mostra la resistenza effettiva del tapis roulant in % quando è in modalità slitta.
- Mostra la velocità target nella modalità di programmazione della funzione tapis roulant.

#### Heart Rate (Frequenza cardiaca)

- Mostra la frequenza cardiaca misurata in modalità allenamento, o "P" quando non viene misurata nessuna frequenza.

### Barra ticker

La barra ticker mostra informazioni o istruzioni per guidare l'utente a operare correttamente quando il tapis roulant è in modalità standby.

### Barra ticker - Sezione Program (Programma)

- Mostra la selezione del programma quando si è in modalità di programmazione.
- Visualizza "-- --" quando è in modalità di allenamento.

### Barra ticker - Sezione Cal/Watt (Calorie/Watt)

- Mostra le calorie K consumate in modalità allenamento.
- Mostra le calorie K residue quando l'allenamento è in modalità calorie obiettivo.
- Mostra l'obiettivo di calorie K quando si è in modalità di programmazione.
- Visualizza Watt quando si è in modalità Slitta.

### Barra ticker - Sezione Distance (Distanza)

- Visualizza la modalità di allenamento distanza percorsa.
- Mostra la distanza sinistra quando l'allenamento è in modalità Distanza obiettivo.
- Mostra il target distanza quando si è in modalità di programmazione.

### Barra ticker - Sezione Time (Tempo)

- Visualizza il tempo percorso in modalità di allenamento.
- Mostra il tempo rimanente quando l'allenamento è in modalità tempo obiettivo.
- Mostra l'obiettivo di tempo quando si è in modalità di programmazione.

### Barra ticker - Sezione User (Utente)

- Visualizza la selezione dell'utente quando si è in modalità di programmazione.
- Visualizza "-- --" quando è in modalità di allenamento.

### Spiegazione del bip acustico del display

La console è progettata per notificare l'utente con un bip acustico. Questo serve per informare l'utente del cambiamento per un allenamento più sicuro.

La console notificherà l'utente nei seguenti casi:

- Viene premuto un pulsante.
- Quando si raggiunge un obiettivo che è stato preimpostato.
- Per annunciare un cambiamento di velocità o inclinazione per il programma selezionato.

### Funzione USB

L'utente può collegare il proprio dispositivo per ricaricarlo durante l'allenamento.

Tensione/Corrente: 5V c.c./1,0 Amp

### Funzionamento della console

#### Quick Start (Avvio rapido)

- Premere il pulsante "Start/Pause" (Avvio/Pausa) per iniziare l'allenamento senza alcuna impostazione predefinita.
- Il tapis roulant parte alla velocità minima di 0,8 Km/h e mantiene l'impostazione di pendenza impostata.
- Regolare la velocità/pendenza manualmente in qualsiasi momento per cambiare l'allenamento, e stop/pausa quando lo si desidera.

### Terminare o mettere in pausa l'allenamento

- Mettere in pausa l'allenamento in qualsiasi momento premendo una volta il pulsante "Stop/Pause" (Stop/Pausa). Il display visualizzerà "PAUSE" (PAUSA) mentre si è in modalità pausa. Il tempo massimo di pausa preimpostato è di 4,30 min.
- Premere il pulsante "Start/Pausa" (Avvio/Pausa) per riprendere l'allenamento mentre si è in modalità "PAUSA".
- Premere una volta il pulsante "STOP" per mettere in pausa l'allenamento.
- Premere due volte "STOP" per terminare l'allenamento e impostare la console in: modalità "Reset/ Program selection" (Reset/Selezione programma).

### Programmi Sled (Slitta)

Per impostare un programma di funzione Sled (Slitta), il tapis roulant deve essere in modalità "Reset/ Program selection" (Reset/Selezione programma).

Impostare il tapis roulant in modalità di reset, premendo due volte il pulsante "Stop".

#### NOTA

- La console memorizzerà l'ultima impostazione utilizzata come preferita e la utilizzerà come predefinita in modalità di programmazione.

### Funzione Sled (Slitta) per tapis roulant

Quando si utilizza il tapis roulant in modalità Sled (Slitta), il tapis roulant trasforma l'allenamento di camminata/corsa in una funzione di allenamento di spinta Sled (Slitta).

In questa modalità l'utente deve mettere in moto la cintura con una forza di spinta, in cui la resistenza del nastro può essere aumentata in percentuale per intensificare l'allenamento.

### Goal Distance (Distanza obiettivo)

- Premere il pulsante Goal Distance (Distanza obiettivo) per selezionare il programma Goal Distance (Distanza obiettivo).
- Il display mostra la distanza "50" come impostazione predefinita, oppure l'ultimo obiettivo impostato, in quanto memorizza l'ultima distanza impostata come preferita.
- Utilizzare i pulsanti "Più o Meno" per impostare l'obiettivo desiderato.  
± 100 mtr. Intervallo: 50 ~ 9000 metri.
- Premere Start (Avvio) per il conto alla rovescia e iniziare l'allenamento spingendo il nastro scorrevole per avviare il movimento.
- i pulsanti "Speed/Sled (Velocità/Slitta) Più o Meno" possono essere utilizzati per modificare la resistenza anche +/-
- L'allenamento si interromperà una volta raggiunta la distanza obiettivo preimpostata.

### Goal Time (Tempo obiettivo)

- Premere il pulsante Goal Time (Tempo obiettivo) per selezionare il programma Goal Time (Tempo obiettivo).
- Il display mostra "30 sec." come valore predefinito, oppure l'ultimo tempo impostato, in quanto memorizza l'ultima distanza impostata come preferita.
- Utilizzare i pulsanti "Più o Meno" per impostare l'obiettivo desiderato.  
± 5 sec. Intervallo: 5 ~ 990 sec.

- Premere Start (Avvio) per il conto alla rovescia e iniziare l'allenamento spingendo il nastro scorrevole per avviare il movimento.
- i pulsanti "Speed/Sled" (Velocità/Slitta) Più o Meno possono essere utilizzati per modificare la resistenza anche +/- durante l'allenamento.
- L'allenamento si interrompe una volta raggiunto il tempo obiettivo preimpostato.

### **Manual (Manuale)**

- Premere il pulsante Manual (Manuale) per selezionare il programma Manual (Manuale).
- Il display mostra la distanza "10%" come obiettivo di tempo predefinito.
- Utilizzare i pulsanti "Speed/Sled" (Velocità/Slitta) Più o Meno per impostare la resistenza iniziale desiderata per l'allenamento.  $\pm 1\%$  Intervallo: 1 ~ 100%.
- Premere Start (Avvio) per il conto alla rovescia e iniziare l'allenamento spingendo il nastro scorrevole per avviare il movimento.
- i pulsanti "Speed/Sled (Velocità/Slitta) Più o Meno possono essere utilizzati per modificare la resistenza anche +/- durante l'allenamento.
- L'allenamento si interrompe quando l'utente lo interrompe manualmente.

### **Custom (Personalizzato)**

Sono disponibili 5 programmi personalizzati, come indicato di seguito:

C1, C2, C3, C4 e C5. Questi programmi sono liberi di essere configurati in base alle preferenze degli utenti.

- Premere il tasto Personalizzato per selezionare il programma Custom (Personalizzato).
- Il display visualizzerà C1 per impostazione predefinita; utilizzare i pulsanti "Custom" (Personalizzato) per selezionare C1 ~ C5 come desiderato e premere Enter (Invio) per confermare.
- Impostare il numero di passi desiderato nel proprio profilo. Il display visualizza l'impostazione predefinita per il programma selezionato. Utilizzare i pulsanti "Più o Meno" per impostare il numero di passi. Intervallo: 2 ~ 12 ( $\pm 1$ ), e premere Enter (Invio) per confermare.
- Impostare l'"intervallo" che rappresenta il tempo di funzionamento Sled (Slitta) attivo per ciascuna delle fasi. Il display della frequenza cardiaca visualizza 15 come valore predefinito (tempo in secondi). Utilizzare i pulsanti "Più o Meno" per impostare il tempo di riposo in secondi. Intervallo: 15 ~ 120 ( $\pm 15$ ), e premere Enter (Invio) per confermare.
- Impostare il "Rest Time" (Tempo di riposo) come tempo di pausa tra le fasi di allenamento della slitta. Il display della finestra della frequenza cardiaca mostra 15 come valore predefinito (tempo in secondi). Utilizzare i pulsanti "Più o Meno" per impostare il tempo di riposo in secondi. Intervallo: 15 ~ 120 ( $\pm 15$ ), e premere Enter (Invio) per confermare.
- Impostare il livello di resistenza per la modalità di allenamento. Il display visualizza 10% come valore predefinito. Utilizzare i pulsanti "Sled-Speed" (Velocità Slitta) Più o Meno per impostare il livello di resistenza desiderato per il primo segmento dell'allenamento Custom (Personalizzato). Intervallo: 1% ~ 100% ( $\pm 1$ ) Impostare il livello di pendenza e premere Enter (Invio) per confermare.

- Il display visualizza 0 come valore predefinito (tempo in secondi). Utilizzare i pulsanti "Incline" (Pendenza) Più o Meno per impostare il tempo di riposo in secondi. Utilizzare i pulsanti "Incline" (Pendenza) Più o Meno per impostare il livello di pendenza desiderato per il primo segmento dell'allenamento Custom (Personalizzato). Intervallo: 0 ~ 15. ( $\pm 1$ )
- Impostare le impostazioni per tutti i passi dell'allenamento personalizzato nello stesso modo.
- Premere il pulsante "Start" (Avvio) per iniziare l'allenamento.

### **NOTA**

- Le impostazioni verranno salvate automaticamente.
- Le impostazioni possono essere modificate selezionando lo stesso programma e apportando le modifiche desiderate.

### **Strength Test (Prova di resistenza)**

Il programma di prova di resistenza è impostato per misurare la resistenza massima dell'utente.

- Premere il pulsante Strength Test (Prova di resistenza) per selezionare il programma Strength Test (Prova di resistenza).
- Il display mostra l'obiettivo temporale predefinito.
- Utilizzare i pulsanti "Più o Meno" per impostare l'obiettivo desiderato.  $\pm 30$  sec. Intervallo: 30 ~ 120 sec.
- Premere "Start" (Avvio) per iniziare l'allenamento. Il trainer genererà una resistenza del 100%, in cui l'utente dovrà impegnarsi al massimo per mettere in movimento il nastro scorrevole il più velocemente possibile. Durante il test i parametri in tempo reale saranno visualizzati sul display.
- Dopo aver raggiunto il tempo obiettivo impostato, la console mostrerà il risultato del test in termini di distanza totale e resistenza media calcolati sulla durata totale del test.

### **Programmi per tapis roulant**

Quando si utilizza il tapis roulant in modalità tapis roulant, questo utilizza il motore interno per azionare la velocità del nastro scorrevole. È la funzione standard di un tapis roulant convenzionale.

Per impostare un programma di tapis roulant, questo deve essere in modalità "Reset/Program selection (Reset/Selezione programma). Impostare il tapis roulant in modalità di reset, premendo due volte il pulsante "Stop".

### **NOTA**

- La console memorizzerà l'ultima impostazione utilizzata come preferita e la utilizzerà come predefinita in modalità di programmazione.

### **Limit mode (Modalità limite)**

- Premere il pulsante Limit Mode (Modalità limite) per selezionare il programma Limit Mode (Modalità limite).
- Premere il pulsante "Start" (Avvio) per iniziare l'allenamento.
- Il tapis roulant si avvia alla velocità di 0,1 Km/h.
- i pulsanti "Speed/Sled" (Velocità/Slitta) Più o Meno possono essere utilizzati per modificare la velocità di allenamento in qualsiasi momento.  $\pm 0,1$  KM/H Intervallo: 0,1 ~ 2,5 KM/H.
- L'allenamento si interrompe quando l'utente lo interrompe manualmente.

### **Programmi P1-P5**

Sono disponibili 10 programmi preimpostati.

- P1~P3 sono programmi a velocità controllata.
- P4-P5 sono programmi controllati dalla combinazione di velocità e pendenza.
- Vedi: Immagine P1-P5 per conoscere il contenuto del programma del tapis roulant P1-P5.
  
- Premere i pulsanti P1-P5 per selezionare il programma della modalità Limit (Limite).
- Utilizzare i pulsanti "P1-P5" per selezionare il programma desiderato.  
Il display mostra la distanza P1 come programma predefinito
- Utilizzare i pulsanti "P1-P5" per selezionare il programma desiderato: P1 ~ P5, e premere Enter (Invio) per confermare.
- Utilizzare i pulsanti "Più o Meno" per selezionare il livello di programma desiderato.  
Il display mostra .L1 come livello di programma predefinito.
- Utilizzare i pulsanti "Più o Meno" per selezionare il livello desiderato: L1 ~ L4, e premere Enter (Invio) per confermare.
- Premere il pulsante "Start" (Avvio) per iniziare l'allenamento.
- L'allenamento si interrompe al termine del programma.

### **Comportamento del programma P1 ~ P5**

- La durata del programma è impostata su 36 minuti.  
Ogni minuto il profilo passa al segmento di programma successivo, e ricomincia da capo una volta raggiunto il termine.  
È possibile cambiare velocità e pendenza in qualsiasi momento. Il programma riprenderà automaticamente il profilo quando passerà alla fase successiva.
- L'allenamento si interrompe al termine del programma.

### **Programmi P6 - P10**

Sono disponibili 10 programmi preimpostati.

- P6~P10 sono programmi controllati in pendenza.
- Vedere: Immagine P6~P10 per conoscere il contenuto del programma tapis roulant P6~P10.
  
- Premere il pulsante P6-P10 per selezionare il programma Limit Mode (Modalità limite).
- Utilizzare i pulsanti "Più o Meno" per selezionare il programma desiderato.  
Il display mostra la distanza P1 come programma predefinito
- Utilizzare i pulsanti "Più o Meno" per selezionare il programma desiderato: P6 ~ P10, e premere Enter (Invio) per confermare.
- Utilizzare i pulsanti "Più o Meno" per selezionare il livello di programma desiderato.  
Il display mostra .L1 come livello di programma predefinito.
- Utilizzare i pulsanti "Più o Meno" per selezionare il livello desiderato: L1 ~ L4, e premere Enter (Invio) per confermare.
- Premere il pulsante "Start" (Avvio) per iniziare l'allenamento.

### **Comportamento del programma P6 ~ P8**

- La durata del programma è impostata su 36 minuti.  
Ogni minuto il profilo passa al segmento di programma successivo e ricomincia da capo una volta raggiunto il termine.  
È possibile modificare velocità e pendenza in qualsiasi momento. Il programma riprenderà automaticamente il profilo quando passerà alla fase successiva.
- L'allenamento si interrompe al termine del programma.

### **Comportamento del programma P9 ~ P10**

- La durata del programma è impostata su 5 km per P9 e 10 km per P10.  
Ogni 200 metri il profilo passa al segmento di programma successivo e ricomincia da capo una volta raggiunto il termine.  
È possibile modificare velocità e pendenza in qualsiasi momento.
- L'allenamento si interrompe al termine del programma.

### **Utente**

- Premere il pulsante "User" (Utente) per selezionare/configurare un programma Utente.  
Il display visualizza U1 come impostazione predefinita.
- Utilizzare i pulsanti "User" (Utente) per selezionare l'utente desiderato: U1 ~ U5, e premere Enter (Invio) per confermare.

### **Impostazione dei dati utente**

- Impostare il proprio sesso, il display visualizza (maschio) o (femmina).  
Utilizzare i pulsanti "Più o Meno" per selezionare il sesso corretto e premere Enter (Invio) per confermare.
- Il display mostra Age (Età), per impostare l'età.  
Il display visualizza 30 come valore predefinito, o l'ultima età impostata.  
Utilizzare i pulsanti "Più o Meno" per impostare l'età corretta  $\pm 1$  Intervallo: 15 ~ 80 anni e premere Enter (Invio) per confermare.
- Il display visualizza Height (Altezza), per impostare l'altezza del corpo.  
Il display visualizza 170 (cm) come valore predefinito o l'ultima altezza del corpo impostata.  
Utilizzare i pulsanti "Più o Meno" per impostare l'altezza corretta  $\pm 1$  Intervallo: 100 ~ 220 (cm) e premere Enter (Invio) per confermare.
- Il display visualizza Weight (Peso) per impostare il peso corporeo.  
Il display visualizza 75 (kg) come valore predefinito, oppure mostra l'ultimo peso impostato.  
Utilizzare i pulsanti "Più o Meno" per impostare il peso corretto  $\pm 1$  Intervallo: 30 ~ 150 (kg) e premere Enter (Invio) per confermare.
- La finestra Pulse (Battito cardiaco) visualizza l'indice BMI personale in base ai parametri impostati dall'utente.

### **Impostare il profilo del programma utente.**

- Premere Enter (Invio) per aprire il menu di impostazione del profilo del programma utente.
- Il display della frequenza cardiaca mostra: 1 per informare l'utente dell'impostazione di velocità e pendenza per la prima fase del profilo su 12 fasi.
- Impostare la velocità desiderata per il primo segmento del programma utente utilizzando i pulsanti Speed (Velocità) su/giù. Impostare la pendenza desiderata per il primo segmento del programma utente utilizzando i pulsanti Incline (Pendenza) su/giù. Confermare premendo il tasto Enter (Invio).
- Il display della frequenza cardiaca visualizza 2  
Impostare tutti i 12 segmenti del profilo di programma.
- Il display visualizza l'obiettivo di tempo "35" min. Usare il pulsante +/- per modificare l'obiettivo di tempo.  $\pm 1$  Intervallo: 1 ~ 99  
Premere Start (Avvio) per avviare l'esercizio.

## HRC

### 🔊 NOTA

- La frequenza cardiaca suggerita si basa sulla frequenza cardiaca massima dell'utente, calcolata in base all'età dell'utente: 220 - Età.
  - L'impostazione della frequenza cardiaca minima è pari al 50% della frequenza cardiaca massima dell'utente
  - L'impostazione dell'obiettivo di frequenza cardiaca massima è il 100% della frequenza cardiaca massima dell'utente. HR.
- Premere il pulsante HRC per selezionare il programma HRC.
  - Impostare l'età degli utenti con i pulsanti "Più o meno" e confermare premendo il pulsante Enter (Invio)
  - Impostare l'obiettivo di frequenza cardiaca desiderato utilizzando i pulsanti "Più o Meno" e confermare l'immissione (il limite massimo è determinato dall'età impostata ovvero 220 - età).
  - Premere il pulsante "Start" (Avvio) per iniziare l'allenamento.
  - L'allenamento si interrompe dopo un conto alla rovescia di 30 minuti.

Il tapis roulant si arresta dopo  $\pm 30$  sec. in assenza di frequenza cardiaca.

### Allenamento obiettivo

- Esistono 3 programmi di allenamento obiettivo: Goal Distance (Distanza obiettivo), Goal Time (Tempo obiettivo), Goal Calories (Calorie obiettivo).

Premere due volte il pulsante Goal Training (Allenamento obiettivo) per aprire: Goal Time (Tempo obiettivo).

Premere tre volte il pulsante Goal Training (Allenamento obiettivo) per aprire: Goal Calories (Calorie obiettivo).

### Goal Distance (Distanza obiettivo)

- Premere una volta il pulsante Goal Training (Allenamento obiettivo) per aprire: Goal Distance (Distanza obiettivo).
- Il display mostra la distanza "0,1" (Km) come valore predefinito o l'ultimo obiettivo impostato e memorizza l'ultima distanza impostata come preferita. Usare i pulsanti "Più o Meno" per impostare l'obiettivo desiderato.  $\pm 0,1$  Km Intervallo: 0,1 ~ 99,9 Km. Tenere premuto il pulsante "Più o meno" per una regolazione rapida  $\pm 1,0$  km.
- Premere il pulsante "Start" (Avvio) per iniziare l'allenamento.
- L'allenamento si interrompe quando viene raggiunto l'obiettivo di distanza impostato.

### Goal Time (Tempo obiettivo)

- Premere due volte il pulsante Goal Training (Allenamento obiettivo) per aprire: Goal Time (Tempo obiettivo).
- Il display mostra "1" (Min) come valore predefinito, oppure l'ultimo obiettivo impostato, in quanto memorizza l'ultimo tempo impostato come preferito.
- Utilizzare i pulsanti "Più o Meno" per impostare l'obiettivo desiderato.  $\pm 1$  min. Intervallo: 1 ~ 99 min. Tenere premuto il pulsante "Più o Meno" per una regolazione rapida di  $\pm 1$  min. Premere "Start" (Avvio) per iniziare l'allenamento.
- L'allenamento si interrompe quando viene raggiunto l'obiettivo di tempo impostato.

## Goal Calories (Calorie obiettivo)

- Premere tre volte il pulsante Goal Training (Allenamento obiettivo) per aprire: Goal Calories (Calorie obiettivo).
- Il display mostra "10" calorie (K.Cal) come valore predefinito, oppure l'ultimo obiettivo impostato, in quanto memorizza le ultime calorie impostate come preferite.
- Utilizzare i pulsanti "Più o Meno" per impostare l'obiettivo desiderato.  $\pm 1$  K.Cal. Intervallo: 10 ~ 999 K. Cal. Tenere premuto il pulsante "Più o meno"  $\pm 10$  K.Cal.
- Premere il pulsante "Start" (Avvio) per iniziare l'allenamento.
- L'allenamento si interrompe quando viene raggiunto l'obiettivo di calorie impostato.

## Backward Walking (Camminata all'indietro)

La funzione Backward Walking (Camminata all'indietro) imposta il tapis roulant in un movimento all'indietro. In questo modo si può fare un esercizio di camminata all'indietro.

È possibile anche girarsi e utilizzare questa funzione per camminare in avanti con una pendenza elevata.

- Premere il pulsante Backward Walking (Camminata all'indietro) per selezionare il programma della modalità Backward Walking (Camminata all'indietro).
- Premere il pulsante "Start" (Avvio) per iniziare l'allenamento.
- Il tapis roulant si avvia alla velocità di 0,1 Km/h in direzione opposta
- i pulsanti "Speed/Sled (Velocità/Slitta) Più o Meno possono essere utilizzati per modificare la velocità di allenamento in qualsiasi momento.  $\pm 0,1$  KM/H Intervallo: 0,1 ~ 2,5 Km/h.
- L'allenamento si interrompe quando l'utente lo interrompe manualmente.

## Bluetooth & APP

- Questa console può collegare una APP al dispositivo smart tramite Bluetooth (iOS & Android).
- Una volta che la console è collegata al dispositivo smart tramite Bluetooth, la console si spegnerà.

### 🔊 NOTA

- Tunturi fornisce solo l'opzione per collegare la vostra console fitness tramite un collegamento bluetooth. Quindi Tunturi non può essere ritenuta responsabile di eventuali danni o malfunzionamento di prodotti che non siano prodotti Tunturi.
- Controllare il sito web per ulteriori informazioni. [www.tunturi.com](http://www.tunturi.com)

## Pulizia e manutenzione

### ⚠️ ATTENZIONE

- L'attrezzo da allenamento richiede una manutenzione mensile, anche quando non viene utilizzato.
- Prima di qualsiasi intervento di pulizia o manutenzione, scollegare la spina di alimentazione dalla presa a muro.
- Non utilizzare solventi per pulire l'apparecchio.
- Non bloccare le aperture di ventilazione. Mantenere le aperture di ventilazione pulite da polvere, sporco e altre ostruzioni.
- Pulire l'apparecchio con un panno morbido e assorbente dopo ogni uso.
- Pulire la parti visibile dell'apparecchio con un aspirapolvere dotato di bocchetta a lancia.
- Verificare regolarmente che tutte le viti e i dadi siano serrati.

### ATTENZIONE

- Raccomandiamo di usare solo scarpe da interni sul tapis roulant. Se non si ha questo tipo di scarpe, è preferibile controllare le soles delle proprie scarpe prima di usarle sul tapis roulant per accertarsi che siano pulite, poiché il tapis roulant non può essere utilizzato se è presente della sporcizia proveniente dall'esterno.

### Pulizia generale

Sporcizia, polvere, e peli di animali possono bloccare l'entrata dell'aria ed accumularsi sulla cinghia per la camminata. Mensilmente: pulire con un aspiratore sotto il tapis roulant per evitare l'accumulo di polvere.

PRIMA DI FARE QUESTO, BISOGNA STACCARE IL CAVO DI ALIMENTAZIONE.

### **Polvere sulla cinghia**

Questo succede durante le normali fasi preliminari o fino a quando la cinghia non si sarà stabilizzata. Rimuovere l'eccesso di polvere con un panno umido ridurrà al minimo la formazione di polvere.

### Cinghia e Pedana per la corsa

Il tapis roulant utilizza un letto a basso attrito molto efficiente. Le prestazioni sono migliori se la pedana viene mantenuta pulita e priva di polvere e sporcizia. La sporcizia e le particelle di polvere tra la pedana e il tappeto scorrevole danneggiano la superficie della pedana, compromettendo le prestazioni e la durata del prodotto.

### **Come pulire la pedana**

Usare un panno morbido e asciutto per pulire il bordo della pedana e l'area tra il bordo del tappeto di scorrimento e il telaio. Cercare di arrivare anche sotto i bordi del tappeto di scorrimento, per rimuovere l'accumulo di sporco anche sui bordi.

### **Come pulire la superficie del tappeto di scorrimento**

In primo luogo, usare una spazzola di nylon per rimuovere le particelle dalla superficie del tappeto di scorrimento. Si può usare un panno umido strizzato (senza detersivi o abrasivi) per pulire delicatamente la parte superiore testurizzata del tappeto. Lasciare asciugare completamente il tappeto prima di usarlo.

### NOTA

- Se il tappeto è troppo sporco per essere pulito solo con l'acqua, si può usare un sapone delicato, ma mai un solvente lubrificante.
- Evitare che non finisca mai della soluzione fra la pedana e il tappeto di scorrimento.

Questo dovrebbe essere fatto regolarmente per prolungare la vita del tappeto di scorrimento e della pedana.

### Lubrificazione (Fig. F-6)

#### NOTA

- La pedana del tapis roulant viene pre-lubrificata prima di essere montata sul tapis roulant durante la produzione dell'attrezzo. Pertanto non è necessario lubrificare la pedana al primo utilizzo.

È necessario controllare regolarmente che la pedana sia lubrificata. Per questo motivo il tapis roulant presenta una funzione promemoria che si attiva ogni 300 km. La "FINESTRA TEMPO" visualizza "OLIO" e come promemoria emette un segnale acustico ogni 10 secondi. Seguire la procedura di controllo in basso; eliminare il messaggio "OLIO" e il segnale di avviso acustico tenendo premuto il pulsante "STOP" per almeno 3 secondi durante questo segnale di avviso.

### AVVERTIMENTO

- Prima della lubrificazione, togliere la spina elettrica dalla presa di corrente.

### ATTENZIONE

- Si consiglia di controllare la lubrificazione della cinghia di scorrimento almeno una volta al mese, in quanto più fattori del tempo possono essere efficaci per le condizioni del lubrificante.
- Lubrificare il tapis roulant solo se necessario. Se applicate troppo lubrificante, il tapis roulant slitterà facilmente a causa di una mancanza di frizione.

- Stare ben fermi sul tapis roulant.
- Afferrare il manubrio anteriore e spingere il tapis roulant con i piedi di modo che scivoli avanti e indietro. Il tapis roulant deve muoversi senza problemi e in modo uniforme senza fare rumore.
- Se il tapis roulant non si muove senza problemi e in modo uniforme o se non si muove per niente, toccare la parte inferiore del tapis roulant con le punte delle dita per verificare la lubrificazione:
  - Se sentite la lubrificazione o se le punte delle vostre dita sono lucide, significa che il tapis roulant è sufficientemente lubrificato.
  - Se non sentite la lubrificazione o se le punte delle vostre dita sono impolverate o ruvide, applicare del lubrificante ( $\pm 10$  ml.) nella parte centrale del tappeto sotto il tapis roulant e far funzionare l'apparecchio a 5km/h per almeno 5 minuti.
  - Dopo la lubrificazione, non chiudere l'attrezzatura prima di aver fatto un allenamento per 2 minuti a una velocità di almeno 5 km/h. Questo consentirà al lubrificante di venire completamente assorbito dalla pedana e distribuirsi in modo uniforme.

### NOTA

- Se 5 km/h è una velocità troppo elevata per le vostre possibilità, camminate pure alla velocità che preferite, ma aumentate la durata ad almeno 5 minuti.



Cliccare per vedere il nostro video di supporto su YouTube  
<https://youtu.be/ceaOYnofY5k>

### Registrazioni della cinghia

Le prestazioni del vostro tapis roulant dipendono dal telaio che deve muoversi su una superficie ragionevolmente piana. Se il telaio non è in piano, il rullo anteriore e posteriore non possono andare paralleli, e potrebbe servire una registrazione continua della cinghia. Il tapis roulant è progettato per tenere la cinghia di camminamento ragionevolmente centrata durante l'uso. E' normale che alcune cinghie si spostino su un fianco se la cinghia gira senza nessuno sopra. Dopo alcuni minuti di utilizzo, la cinghia di camminamento dovrebbe iniziare a centrarsi da sola. Se, durante l'uso, la cinghia continua a spostarsi su un lato, è necessario effettuare delle registrazioni.

### ECCEZIONE:

Durante la riabilitazione dove l'utente utilizza una gamba più dell'altra, potrebbe succedere che la cinghia di camminamento si sposti su un lato. In questi casi non dovrete regolarla a meno che la cinghia di camminamento non si accentri.

### **Regolazione della tensione della cinghia.**

La registrazione deve essere fatta dal rullo posteriore. I bulloni di regolazione si trovano alla fine delle guide dei passi nei coperchi terminali, come annotato nello schema qui sotto.

- Serrare i bulloni del rullo posteriore (in senso orario) solo quanto basta per evitare lo slittamento sul rullo anteriore. Girare entrambi i bulloni di registrazione della tensione della cinghia di camminamento con incrementi di ¼ di giro ognuno e verificare che vi sia la tensione corretta camminando sulla cinghia a bassa velocità, verificando che la cinghia non slitti. Continuare a tirare i bulloni fino a quando la cinghia non slitterà più.
- Se sentite che la cinghia è sufficientemente tesa, ma continua a slittare, il problema potrebbe essere una cinghia di trasmissione del motore lenta sotto il coperchio anteriore.
- Non serrare troppo  
Un sovrasserraggio danneggerà la cinghia e causerà un guasto prematuro del cuscinetto.



Cliccare per vedere il nostro video di supporto su YouTube  
[https://youtu.be/pp4\\_4bL1MXo](https://youtu.be/pp4_4bL1MXo)

### Centraggio della pedana (fig. F-5)

Il centraggio della pedana è necessario quando questa non scorre al centro della superficie di corsa. Questo si nota facilmente quando lo spazio tra la piattaforma laterale e la pedana è decisamente maggiore su un lato rispetto all'altro.

Questo può essere causato da:

#### CAUSA 1

Si sta usando una gamba più potente in fase di spinta durante l'allenamento. Questo fa sì che la pedana venga spinta di lato, ma si correggerà automaticamente quando si lascerà girare la pedana senza alcun carico per alcuni minuti.

#### CAUSA 2

Il tapis roulant non è livellato orizzontalmente, quindi la gravità tira lentamente la pedana verso l'estremità più bassa del tapis roulant. Questo va corretto livellando correttamente il tapis roulant, poiché non può essere risolto con nessun'altra regolazione.

#### CAUSA 3

La pedana non è centrata correttamente tra il tamburo a rulli anteriore e quello posteriore. Questo deve essere corretto regolando l'allineamento della pedana come qui sotto.

Per regolare l'allineamento della pedana, utilizzare la chiave a brugola fornita con il tapis roulant.

- Impostare il proprio tapis roulant a una velocità di  $\pm 5$  km/h, senza corrci sopra.
- Se la pedana scorre sul lato destro.  
Ruotare in senso antiorario per 1/4 di giro il bullone di regolazione del rullo posteriore sinistro, situato all'estremità posteriore in un incavo nel coperchio del rullo posteriore.
- Se la pedana scorre sul lato sinistro.  
Ruotare in senso antiorario per 1/4 di giro il bullone di regolazione del rullo posteriore destro, situato all'estremità posteriore in un incavo nel coperchio del rullo posteriore.
- Attendere  $\pm 2$  minuti per dare alla pedana in movimento il tempo di rispondere alla regolazione prima di ripetere eventualmente le fasi di regolazione per ottenere il risultato desiderato.

#### ⚠️ NOTA

- Bisogna considerare, che un piccolo aggiustamento può fare una grande differenza, quindi effettuare degli aggiustamenti graduali.



Cliccare per vedere il nostro video di supporto su YouTube  
<https://youtu.be/qx5AvTv00J4>

La cinghia potrebbe richiedere una registrazione dell'orientamento a seconda dell'uso e dalle caratteristiche di camminamento/corsa. Alcuni utenti influenzeranno l'orientamento in modo differente. Prevedete di fare le regolazioni richieste per centrare la cinghia. Le regolazioni diventeranno meno di una manutenzione se la cinghia è usata. Un orientamento corretto della cinghia è responsabilità del proprietario comune a tutti i tapis roulant.

#### ⚠️ NOTA

- I danni alla cinghia di camminamento causati da un orientamento/ registrazione di tensione non corretti non sono coperti dalla garanzia.

### Disturbi durante l'uso

Nonostante un continuo controllo della qualità, l'attrezzatura potrebbe talvolta presentare difetti e malfunzionamenti, causati da qualche singolo componente. Nella maggior parte dei casi, non c'è bisogno di mettersi a far riparare tutta l'attrezzatura, ma generalmente basta sostituire il pezzo o la parte difettosa.

Se l'attrezzo non funziona bene durante l'uso o se si ha bisogno dei pezzi di ricambio, contatta il tuo rivenditore Tunturi indicando che cosa ti tratta, le condizioni in cui la usi, la data di acquisto, il modello e il numero di serie del tuo attrezzo. Si raccomanda di utilizzare sempre pezzi di ricambio originali.

Se c'è bisogno di pezzi di ricambio, è necessario sempre indicare il modello, il numero di serie della macchina e il codice del pezzo di ricambio necessario. L'elenco dei pezzi di ricambio si trova sul retro di questo manuale. Utilizzare solo i pezzi di ricambio indicati nell'elenco.

### Codici di errore

Se il display mostra un codice di errore (contrassegnato con "E" + numero), riavviare l'apparecchio e controllare se il display continua a riportare il codice di errore. Se il display continua a riportare il codice di errore, contattare immediatamente il rivenditore.

### Oil / Lubrication

OIL non è un codice di errore, vedi "Lubrificazione"

### Cracking or wringing sound at low speed

When the running belt makes a cracking/ wringing noise when you put your body weight on the running belt during workout, the belt lubrication must be checked and most likely some lubricant is required. This problem mostly happens in the "Limit speed" mode or "Backward walking", as in these modes the running belt operation speeds can be set below 0.5 km/h. See section "Lubrication" for more details on how to check and apply the lubricant status of your running belt.

## Trasporto e stoccaggio

### ⚠ ATTENZIONE

- Prima di qualsiasi intervento di pulizia o manutenzione, scollegare la spina di alimentazione dalla presa a muro.
  - Per trasportare e spostare l'apparecchio sono necessarie almeno due persone.
  - Verificare che non siano presenti persone o oggetti sotto l'apparecchio.
- Spostare l'apparecchiatura come indicato (fig. F7).
- Rimuovere il cavo di alimentazione prima di spostare il tapis roulant per evitare che il cavo di alimentazione rimanga impigliato nelle ruote e danneggi il cavo di alimentazione o l'insero della spina.
- Le ruote sotto il tapis roulant sono progettate per il trasporto del tapis roulant, ma è bene tenere presente che il tapis roulant è estremamente pesante.
- A causa del peso del tapis roulant, si raccomanda di trasportarlo solo su superfici piane, robuste e pulite, per evitare di danneggiare le ruote.

## Garanzia

### Garanzia dell'attrezzo sportivo Tunturi

#### Condizioni di garanzia

Il consumatore beneficia dei diritti legali applicabili previsti dalla legislazione nazionale in materia di commercio di beni di consumo. La garanzia non limita tali diritti. La Garanzia dell'acquirente è valida solo se l'articolo viene utilizzato in un ambiente approvato da Tunturi New Fitness BV per quel determinato attrezzo. Le istruzioni relative all'ambiente e di manutenzione specifiche per il prodotto sono riportate nel "manuale utente" del prodotto. Il "manuale utente" può essere scaricato dal nostro sito web. <http://manuals.tunturi.com>

#### Condizioni per la garanzia

La garanzia entra in vigore dalla data dell'acquisto dell'attrezzo. Le condizioni per la garanzia possono variare in funzione del paese. Rivolgersi al rivenditore di zona per maggiori informazioni sulle condizioni per la garanzia.

#### Copertura della garanzia

L'azienda Tunturi Ltd ed i suoi rappresentanti non rispondono per nessun motivo dei danni indiretti causati all'acquirente dall'attrezzo. Per danni indiretti s'intendono quelli relativi al mancato sfruttamento dell'attrezzo, mancato guadagno o altri danni di natura economica.

#### Limiti di garanzia

La garanzia copre i difetti di materiale e fabbrica dell'attrezzo che si manifestano subito dopo l'acquisto. La garanzia copre solo i difetti che si manifestano durante l'uso normale e conforme alle istruzioni del manuale di installazione, manutenzione ed uso fornito da Tunturi. L'azienda Tunturi Ltd ed i suoi rivenditori non rispondono dei danni causati da eventi al di fuori del loro controllo. La garanzia riguarda solo il proprietario originario dell'attrezzo ed è in vigore solo in quei paesi in cui Tunturi Ltd dispone di un proprio rappresentante autorizzato.

La garanzia non copre i difetti di quegli attrezzi o componenti che sono stati modificati senza l'espressa autorizzazione del fabbricante Tunturi Ltd. La garanzia non copre i difetti causati dalla normale usura, da un uso in condizioni non previste, dalla corrosione, dalla movimentazione e dal trasporto.

La garanzia non copre rumori o suoni emessi durante l'uso a meno che non impediscano l'uso dell'attrezzo e che non siano causati da un guasto all'attrezzo stesso.

La garanzia non comprende nemmeno i normali interventi di servizio dell'attrezzo, come per esempio la pulizia, lubrificazione, controllo periodico dei componenti né le piccole installazioni che può effettuare il cliente stesso e che non richiedono lo smontaggio/montaggio dell'attrezzo. Questi interventi sono, per esempio, la sostituzione del pannello, dei pedali o di altri componenti analoghi. La garanzia non copre gli interventi di riparazione previsti, se non vengono eseguiti da un rappresentante autorizzato Tunturi. Se sbagliate a seguire le istruzioni del manuale d'uso, decade subito la garanzia sul prodotto.

## Dati tecnici

Parametro	Unità di misura	Valore
Tensione di alimentazione	Vca	210~240
Frequenza di alimentazione	HZ	50~60
Velocità	Km/H	0.1~20.0
Inclinazione	Step	0~15
Lunghezza	Cm	196.0
Larghezza	Cm	88.0
Altezza	Cm	154.7
Peso	Kg	155.8
Peso massimo utente	Kb	150
Misurazione della frequenza cardiaca disponibile tramite:	Contatto con la mano 5.3~ 5.4 Khz. BLE BT ANT+	Si Si Si No

### ⚠ NOTA

- Per conoscere le dimensioni del prodotto e le dimensioni funzionali si prega di guardare l'illustrazione G.

## Dichiarazione del fabbricante

Tunturi New Fitness BV dichiara che questo prodotto è conforme ai seguenti standard e direttive: EN-957- (SA), 2014/30/EU. Pertanto sul prodotto è apposto il marchio CE.

03-2023

Tunturi New Fitness BV  
Purmerweg 1  
1311 XE Almere  
Paesi Bassi

## Clausola di esonero della responsabilità

© 2023 Tunturi New Fitness BV  
Tutti i diritti riservati.

- Il prodotto e il manuale sono soggetti a modifiche.
- Le specifiche tecniche possono essere modificate senza preavviso.
- Vedere il nostro sito Web per la versione del manuale più recente.



**Español**

Este manual español es una traducción del texto inglés. No se pueden derivar derechos de esta traducción. El texto original en inglés prevalecerá.

**Índice**

<b>¡Bienvenido .....</b>	<b>97</b>
<b>Advertencias de seguridad.....</b>	<b>98</b>
Seguridad eléctrica.....	98
<b>Instrucciones de montaje.....</b>	<b>98</b>
Descripción de la ilustración A.....	98
Descripción de la ilustración B.....	99
Descripción de la ilustración C.....	99
Descripción de la ilustración D.....	99
Apriete de tuercas y tornillos.....	99
Información adicional .....	99
Zona de entrenamiento libre (Fig. D-0).....	99
<b>Sesiones de ejercicio .....</b>	<b>99</b>
Ejercicio Instrucciones .....	99
Del ritmo cardíaco .....	100
<b>Uso .....</b>	<b>101</b>
Ajuste de las patas de apoyo.....	101
Core-bar (Barra central).....	101
Banda elástica de resistencia .....	102
<b>Consola (fig E-1) .....</b>	<b>102</b>
Botones.....	102
Funciones específicas del botón del modo Trineo .....	103
Funciones específicas del botón de modo de Velocidad límite.....	103
Funciones específicas del botón del modo de retroceso .....	103
Explicación de los elementos de la pantalla .....	103
Explicación de la señal acústica de la pantalla.....	104
Función USB .....	104
<b>Funcionamiento de la consola .....</b>	<b>104</b>
Inicio rápido.....	104
Finalizar o pausar su entrenamiento .....	104
<b>Programas de trineo.....</b>	<b>104</b>
Función Cinta de Correr - Trineo.....	104
Objetivo de distancia .....	104
Objetivo de tiempo .....	105
Manual .....	105
Personalizado .....	105
Prueba de resistencia .....	105
<b>Programas de la cinta de correr .....</b>	<b>105</b>
Modo de límite .....	106
Programas P1-P5 .....	106
Programas P6 - P10 .....	106
Usuario.....	106
HRC.....	107
Entrenamiento por objetivos .....	107
Caminar hacia atrás .....	107
Bluetooth & APP.....	107

<b>Limpieza y mantenimiento.....</b>	<b>107</b>
Limpieza general .....	108
Cinta y cubierta de correr: .....	108
Lubricación (Fig. F-6) .....	108
Ajustes de la cinta .....	108
<b>Defectos De Funcionamiento .....</b>	<b>109</b>
Códigos de error .....	109
Oil / Lubrication.....	109
Cracking or wringing sound at low speed .....	109
<b>Transporte y almacenamiento.....</b>	<b>110</b>
<b>Garantía.....</b>	<b>110</b>
<b>Datos técnicos .....</b>	<b>110</b>
<b>Declaración del fabricante .....</b>	<b>110</b>
<b>Descargo de responsabilidad .....</b>	<b>110</b>

**¡Bienvenido**

¡Bienvenido al mundo de Tunturi Fitness!

Le agradecemos la compra de esta máquina Tunturi. Tunturi ofrece una amplia gama de máquinas de fitness profesionales como bicicletas elípticas, cintas de correr, bicicletas de ejercicio, bancos de fuerza y estaciones múltiples. La máquina Tunturi es adecuada para toda la familia, independientemente del nivel de forma física. Si desea información adicional, visite nuestro sitio web [www.tunturi.com](http://www.tunturi.com)

**Información y precauciones**

Lea atentamente esta guía antes del montaje, uso o mantenimiento de su equipo de ejercicio. Mantenga esta guía en lugar seguro; le brindará hoy y en el futuro la información que necesite para usar y mantener su equipo. Siga siempre atentamente sus instrucciones.

## Advertencias de seguridad

---

### ADVERTENCIA

- Lea las advertencias de seguridad y las instrucciones. De no seguirse las advertencias de seguridad y las instrucciones pueden producirse lesiones personales o daños en la máquina. Conserve las advertencias de seguridad y las instrucciones para su consulta posterior.

### ADVERTENCIA

- Los sistemas de motorización de frecuencia cardíaca pueden ser imprecisos. Un exceso de ejercicio puede provocar lesiones graves o incluso la muerte. Si se siente mareado, deje de hacer ejercicio inmediatamente.
- La máquina es adecuada únicamente para uso doméstico y profesional (p. ej. hospitales, cuarteles de bomberos, hoteles, colegios, etc.).
  - El uso de esta máquina por niños o por personas con una discapacidad física, sensorial o motora, o falta de experiencia y conocimientos, puede dar lugar a situaciones de riesgo. Las personas responsables de su seguridad deben dar instrucciones explícitas o supervisar el uso de la máquina.
  - Antes de empezar a hacer ejercicio, consulte con un médico para comprobar su estado de salud.
  - Si experimenta náuseas, mareos u otros síntomas anormales, deje de hacer ejercicio inmediatamente y consulte con un médico.
  - Para evitar dolor y tensión muscular, realice un calentamiento antes de empezar a hacer ejercicio y termine haciendo relajación. Recuerde hacer estiramientos al final de la sesión de ejercicio.
  - La máquina es adecuada únicamente para uso en interior. La máquina no es adecuada para un uso en exterior.
  - Utilice la máquina únicamente en lugares con una ventilación adecuada. No utilice la máquina en lugares donde haya corriente para no resfriarse.
  - Utilice la máquina únicamente en lugares con una temperatura ambiente entre 10 °C y 35 °C. Almacene la máquina únicamente en lugares con una temperatura ambiente entre 5 °C y 45 °C.
  - No utilice ni almacene la máquina en espacios húmedos. La humedad del aire no debe ser superior al 80%.
  - Utilice la máquina sólo para su uso previsto. No la utilice para otros fines que no sean los descritos en el manual.
  - La máquina no debe utilizarse si alguna de las piezas ha sufrido daños o tiene algún defecto. Contacte con su proveedor si alguna de las piezas ha sufrido daños o tiene algún defecto.
  - Mantenga las manos, los pies y demás partes del cuerpo alejadas de las piezas móviles.
  - Mantenga el pelo alejado de las piezas móviles.
  - Lleve ropa y calzado adecuado.
  - Mantenga la ropa, las joyas y otros objetos alejados de las piezas móviles.
  - Asegúrese de que sólo una persona utilice la máquina cada vez. La máquina no debe ser utilizada por personas cuyo peso supere los 150 kg (330 lbs).
  - No abra la máquina sin consultar con su proveedor.

### Seguridad eléctrica

(Aplicable sólo para máquinas con limitación eléctrica)

- Antes del uso, compruebe siempre que la tensión de red sea la misma que la tensión indicada en la placa de características de la máquina.
- No utilice un cable alargador.
- Mantenga el cable de red alejado del calor, de aceite y de bordes afilados.

- No altere ni modifique el cable de red o el enchufe de red.
- No utilice la máquina si el cable de red o el enchufe de red ha sufrido daños o tiene algún defecto. Si el cable de red o el enchufe de red ha sufrido daños o tiene algún defecto, contacte con su proveedor.
- Desenrolle siempre el cable de red en su totalidad.
- No pase el cable de red debajo de la máquina. No pase el cable de red debajo de una alfombra. No coloque ningún objeto sobre el cable de red.
- Asegúrese de que el cable de red no cuelgue sobre el borde de una mesa. Asegúrese de que el cable de red no quede atrapado y que no sea posible tropezarse con él.
- No deje la máquina desatendida cuando el enchufe de red esté insertado en la toma de pared.
- No tire del cable de red para sacar el enchufe de la toma de pared.
- Retire el enchufe de red de la toma de pared cuando la máquina no se esté utilizando, antes del montaje o el desmontaje o antes de la limpieza y el mantenimiento.

### ADVERTENCIA

- Si la tensión varía en un diez por cien (10%) o más, esto podrá afectar al rendimiento de la cinta. Esta situación no está cubierta por la garantía. Si sospecha que la tensión es baja, póngase en contacto con su compañía eléctrica o un electricista autorizado para que lo compruebe.

### ADVERTENCIA

- Sitúe el cable de alimentación lejos de cualquier pieza móvil de la cinta, incluido el mecanismo de elevación y las ruedas de transporte.

### Instrucciones de toma de tierra

Este producto deberá tener una toma de tierra. Si el sistema eléctrico de la cinta se averiara o fallara, la toma de tierra proporciona una ruta de menos resistencia para la corriente eléctrica, reduciendo el riesgo de descarga eléctrica. Este producto está equipado con un cable que tiene un enchufe de toma de tierra de equipo. El enchufe se deberá enchufar en una toma adecuada que esté instalada correctamente y esté conectada a tierra conforme a todos los códigos y disposiciones locales.

### ADVERTENCIA

- Una conexión inadecuada del conductor de toma de tierra del equipo podrá provocar un riesgo de descarga eléctrica. Compruebe con un electricista cualificado o persona de mantenimiento si tiene dudas sobre si el producto está conectado a tierra correctamente. No modifique el enchufe proporcionado con el producto si no encaja en la toma; encargue a un electricista cualificado que le instale una toma adecuada.

## Instrucciones de montaje

---

### Descripción de la ilustración A

La ilustración muestra cuál debe ser el aspecto de la máquina una vez completado el montaje.

Puede utilizar esta ilustración como referencia durante el montaje, pero siga siempre los pasos de montaje en el orden correcto como se muestra en las ilustraciones.

### Descripción de la ilustración B

La ilustración muestra los componentes y las piezas que debe encontrar al desembalar el producto.

#### ⚠ ATENCIÓN !!

- Las piezas de pequeño tamaño pueden estar ocultas o embaladas en espacios huecos del sistema de protección de poliestireno extruido del producto
- Si falta una pieza, contacte con su proveedor.

### Descripción de la ilustración C

La ilustración muestra el juego de tornillería que se suministra con el producto. El juego de tornillería contiene pernos, arandelas, tornillos, tuercas, etc. y las herramientas necesarias para montar correctamente la máquina.

### Descripción de la ilustración D

Las ilustraciones muestran cómo montar mejor la máquina en el orden correcto.

#### ⚠ ATENCIÓN !!

- Los números de pieza que se muestran en los pasos de montaje comienzan con la ilustración de la pieza de repuesto que se puede encontrar en la versión en línea del manual de usuario completo.

#### ⚠ ADVERTENCIA

- Monte la máquina en el orden indicado.
- Al menos dos personas deben transportar y mover la máquina.

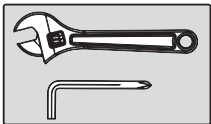
#### ⚠ PRECAUCIÓN

- Coloque la máquina sobre una superficie firme y nivelada.
- Coloque la máquina sobre una base protectora para evitar daños en la superficie del suelo.
- Deje unos 100 cm de espacio alrededor de la máquina.
- Consulte las ilustraciones para el correcto montaje de la máquina.

#### ⚠ NOTA

- Guarde las herramientas suministradas con este producto una vez que haya completado el montaje del producto, para futuros fines de servicio.

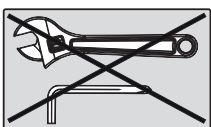
### Apriete de tuercas y tornillos



Apriete firmemente todos los tornillos y las tuercas cuando se hayan ensamblado todos los componentes correspondientes al paso actual y los anteriores.

#### ⚠ NOTA

- No apriete en exceso ningún componente de funcionamiento pivotante.
- Asegúrese de que todos los componentes pivotantes pueden moverse con libertad.



No apriete todos los tornillos y las tuercas en este paso.

### Información adicional

#### Eliminación de embalajes

Las pautas gubernamentales exigen reducir la cantidad de residuos que se depositan en los basureros. Por este motivo, le rogamos que deseche los embalajes de manera responsable en centros públicos de reciclaje.

#### Eliminación al final de la vida útil

Desde Tunturi esperamos que disfrute de su equipo de entrenamiento durante muchos años. No obstante, llegará un momento en que éste llegue al final de su vida útil. Conforme a la Directiva WEEE (relativa a la gestión de residuos procedentes de equipos eléctricos y electrónicos) le corresponde a usted la responsabilidad de desechar adecuadamente su equipo de entrenamiento en un centro público autorizado de recogida.

#### Zona de entrenamiento libre (Fig. D-0)

##### Parte delantera del equipo

Deje al menos 30 cm de espacio libre delante del equipo.

- La zona de entrenamiento libre de esta sección puede compartirse con otro equipo del mismo tipo cuando ambos están enfrentados.

##### Lateral del equipo.

Deje al menos 60 cm de espacio libre a cada lado del equipo.

- La zona de entrenamiento libre de esta sección puede compartirse con otro equipo del mismo tipo cuando ambos están enfrentados.

##### Parte trasera del equipo

Deje al menos 200 cm de espacio libre detrás del equipo.

- La zona de entrenamiento libre para esta sección no puede compartirse con otros equipos del mismo tipo. El espacio libre adicional requerido depende de la orientación de ambos equipos y debe ser la suma de ambos valores.

### Sesiones de ejercicio

La sesión de ejercicio debe ser ligera, pero de larga duración. El ejercicio aeróbico se basa en mejorar el consumo de oxígeno máximo del cuerpo, lo que a su vez mejora la resistencia y la forma física. Debe transpirar, pero no debe quedarse sin aliento durante la sesión de ejercicio. Para lograr y mantener un nivel de forma física básico, debe realizar ejercicio al menos tres veces a la semana, 30 minutos cada vez. Aumente el número de sesiones de ejercicio para mejorar su nivel de forma física. Vale la pena combinar el ejercicio regular con una dieta sana. Una persona que se encuentre a dieta debe realizar ejercicio a diario, al principio 30 minutos o menos cada vez, aumentando gradualmente el tiempo de ejercicio diario hasta una hora. Empiece la sesión de ejercicio a velocidad baja y resistencia baja para evitar que el sistema cardiovascular se vea sometido a una tensión excesiva. A medida que mejore el nivel de forma física, pueden aumentarse gradualmente la velocidad y la resistencia. La eficiencia de su ejercicio puede medirse supervisando su frecuencia cardíaca y sus pulsaciones.

#### Ejercicio Instrucciones

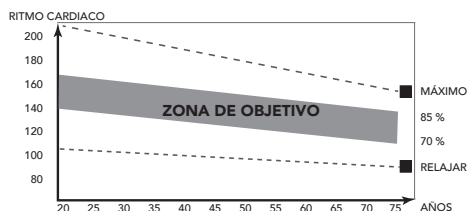
El uso de su entrenador le aportará muchas ventajas, mejorará su tono físico, tonificará los músculos y, combinado con una dieta con un consumo controlado de calorías, le ayudará a perder peso.

### Fase de calentamiento

Esta fase mejora la circulación y favorece el buen funcionamiento de los músculos. Asimismo, reduce el riesgo de calambres y de lesiones musculares. Es conveniente realizar una serie de ejercicios de estiramiento, como se muestra más abajo. Al estirar se debe mantener la posición durante unos 30 segundos; no fuerce los músculos ni realice movimientos bruscos para estirarlos, si duele, PARE inmediatamente.

### Fase de ejercicio

Esta es la fase de esfuerzo. Tras un uso regular, los músculos de las piernas irán ganando flexibilidad. Es importante mantener un ritmo estable durante toda esta fase. El ejercicio debe ser lo suficientemente fuerte como para incrementar el ritmo cardíaco hasta el objetivo que se muestra en el siguiente cuadro.



Esta fase debe tener una duración mínima de 12 minutos, aunque la mayoría de las personas empiezan a los 15-20 minutos.

### Fase de enfriamiento

La finalidad de esta fase es permitir que se relaje el sistema cardiovascular y los músculos. Es una repetición del ejercicio de calentamiento, por lo que debe ir reduciendo el ritmo de manera constante durante unos 5 minutos. En este momento debe repetir también los ejercicios de estiramiento, evitando de nuevo forzar los músculos o hacer movimientos bruscos.

A medida que vaya mejorando su forma física, es posible que el entrenamiento tenga que ser más largo e intenso. Es aconsejable entrenarse al menos tres veces a la semana, espaciando de manera uniforme, en la medida de lo posible, los entrenamientos durante la semana.

### Tonificación muscular

Si quiere tonificar los músculos mientras trabaja con el aparato, deberá ajustar la resistencia en un nivel bastante alto. Así aumentará la tensión sobre los músculos de las piernas, con lo que es posible que no pueda entrenarse durante todo el tiempo que le gustaría. Si quiere mejorar su condición física, tendrá que modificar también el programa de entrenamiento. El entrenamiento durante las fases de calentamiento y enfriamiento será igual, pero debe aumentar la resistencia hacia el final de la fase de ejercicio para incrementar el esfuerzo del tren inferior. Tendrá que reducir la velocidad para mantener el ritmo cardíaco en la zona objetivo.

### Pérdida de peso

El factor determinante en este sentido es el esfuerzo realizado. Cuanto más intenso y prolongado sea el ejercicio físico, más calorías quemará. En realidad, es lo mismo que si se entrena para mejorar la condición física, lo que cambia es el objetivo.

### Del ritmo cardíaco

#### Medición de las pulsaciones (sensor de pulsaciones de mano)

Las pulsaciones se miden con unos sensores en los manillares cuando el usuario toca ambos sensores al mismo tiempo. ligeramente húmeda y tocar constantemente los sensores de pulsaciones de mano. Si la piel está demasiado seca o demasiado húmeda, la medición de las pulsaciones puede resultar menos precisa.

#### NOTA

- No utilice los sensores de pulsaciones de mano en combinación con una correa en el pecho para la frecuencia cardíaca.
- Si define un límite de frecuencia cardíaca para su sesión de ejercicio, cada vez que éste se supere sonará una alarma.

#### Medición de la frecuencia cardíaca (correa en el pecho para la frecuencia cardíaca)

#### NOTA

- Una correa de pecho no viene de serie con este entrenador. Cuando te gusta usar una correa de cofre inalámbrica, debes comprarla como accesorio.

La medición más precisa de la frecuencia cardíaca se logra con una correa en el pecho para la frecuencia cardíaca. La frecuencia cardíaca se mide con un receptor de frecuencia cardíaca en combinación con una correa transmisora de la frecuencia cardíaca. Para una medición precisa de la frecuencia cardíaca es necesario que los electrodos de la correa transmisora estén ligeramente húmedos y que toquen constantemente la piel. Si los electrodos están demasiado secos o demasiado húmedos, la medición de la frecuencia cardíaca puede resultar menos precisa.

#### ADVERTENCIA

- Si usted tiene un marcapasos, consulte con un médico antes de utilizar una correa en el pecho para la frecuencia cardíaca.

#### PRECAUCIÓN

- Si hay varios dispositivos de medición de frecuencia cardíaca en proximidad, asegúrese de que la distancia entre ellos sea de al menos 2 metros.
- Si sólo hay un receptor de frecuencia cardíaca y varios transmisores, asegúrese de que sólo una persona con un transmisor se encuentre en la zona de transmisión.

#### NOTA

- No utilice una correa en el pecho para la frecuencia cardíaca en combinación con sensores de pulsaciones de mano.
- Lleve siempre la correa en el pecho para la frecuencia cardíaca debajo de la ropa, en contacto directo con la piel. No lleve la correa en el pecho para la frecuencia cardíaca por encima de la ropa. Si lleva la correa en el pecho para la frecuencia cardíaca por encima de la ropa, no habrá señal.
- Si define un límite de frecuencia cardíaca para su sesión de ejercicio, cada vez que éste se supere sonará una alarma.
- El transmisor transmite la frecuencia cardíaca a la consola hasta una distancia de 1,5 metro. Si los electrodos no están húmedos, la frecuencia cardíaca no aparece en la pantalla.
- Algunas fibras de la ropa (p. ej. poliéster, poliamida) generan electricidad estática, la cual puede impedir la medición precisa de la frecuencia cardíaca.
- Los teléfonos móviles, las televisiones y otros aparatos eléctricos generan un campo electromagnético que puede impedir la medición precisa de la frecuencia cardíaca.

#### Frecuencia cardíaca máxima (durante el entrenamiento)

alcanzar una persona de forma segura por la tensión del ejercicio. Se utiliza la siguiente fórmula para calcular la frecuencia cardíaca máxima media:  $220 - \text{EDAD}$ . La frecuencia cardíaca máxima varía según la persona.

#### ADVERTENCIA

- Asegúrese de no superar la frecuencia cardíaca máxima durante la sesión de ejercicio. Si usted se encuentra en un grupo de riesgo, consulte con un médico.

**Principiante****50-60% de frecuencia cardíaca máxima**

Adecuada para principiantes, personas que cuidan la línea, convalecientes y personas que no han hecho ejercicio en mucho tiempo. Haga ejercicio al menos tres veces a la semana, 30 minutos cada vez.

**Avanzado****60-70% de frecuencia cardíaca máxima**

Adecuada para personas que desean mejorar y mantener la forma física. Haga ejercicio al menos tres veces a la semana, 30 minutos cada vez.

**Experto****70-80% de frecuencia cardíaca máxima**

Adecuado para personas con muy buena forma física que están acostumbradas a sesiones de ejercicio de gran resistencia.

**Uso****Interruptor de alimentación principal (fig. E-2A)**

La máquina está equipada con un interruptor de alimentación principal para poder a pagarla completamente.

**Para poner en marcha la máquina:**

- Inserte el enchufe de red en la máquina.
- Inserte el enchufe de red en la toma de pared.
- Sitúe el interruptor de alimentación principal en la posición de encendido (ON).

**Para parar la máquina:**

- Sitúe el interruptor de alimentación principal en la posición de apagado (OFF).
- Retire el enchufe de red de la toma de pared.
- Retire el enchufe de red de la máquina.

**Llave de seguridad (Fig F-4)**

El equipo cuenta con una llave de seguridad que se debe insertar correctamente en la consola para poner en marcha el equipo. Si se saca parcialmente la llave de seguridad, se activará el modo de emergencia y el equipo se detendrá inmediatamente.

La llave de seguridad también se desplazará fuera de su lugar al pulsar el botón rojo de emergencia.

- Introduzca la llave de seguridad en la ranura de la consola apretándola hacia adentro.
- Asegúrese de que la pinza de la llave de seguridad esté bien sujeta a la ropa que lleva.  
Asegúrese de que la pinza sujeta a la ropa esté lo suficientemente firme para que pueda sacar la llave de seguridad cuando sea necesario.

**NOTA**

- La consola mostrará un texto desplazándose que indica: "PONER LA LLAVE DE SEGURIDAD", y también mostrará líneas de desplazamiento vertical en la pantalla principal cuando la llave de seguridad no esté en su posición (correcta).

**Disyuntor (Fig. E-2B)**

La máquina está equipada con un disyuntor que interrumpe el circuito cuando la carga eléctrica está por encima de la capacidad máxima. Cuando esto ocurra, debe pulsarse el disyuntor.

**ADVERTENCIA**

- Antes de pulsar el disyuntor, retire el enchufe de red de la máquina.

Si la máquina se apaga, haga lo siguiente para reiniciarla:

- Retire el enchufe de red de la máquina.
- Pulse el disyuntor para reiniciar la máquina.
- Inserte el enchufe de red en la máquina.

**NOTA**

- Algunos disyuntores usados en las casas no son idóneos para elevadas corrientes de irrupción que pueden producirse cuando se enciende por primera vez una cinta de correr o incluso durante el uso normal. Si la cinta está disparando el disyuntor (incluso aunque sea de la clase de corriente correcta y la cinta sea el único aparato del circuito), pero el disyuntor de la cinta en sí no se dispara, tendrá que sustituir el disyuntor por uno de clase de irrupción elevada. No es un defecto cubierto por la garantía. Es una situación que nosotros, como fabricantes, no podemos controlar.

**Ajuste de las patas de apoyo**

El equipo está equipado con patas de apoyo ajustables.

Si el equipo parece estar inestable, poco firme o no está bien nivelado, estas patas de apoyo se podrán ajustar para realizar las correcciones necesarias.

- Gire las patas de apoyo hacia adentro o hacia afuera según sea necesario para colocar el equipo en una posición estable y lo más nivelada posible.
- Apriete las contratruercas\* para bloquear las patas de apoyo.

**CONSEJO RÁPIDO**

- Es más fácil hacer esto con dos personas, de modo que una persona incline el equipo mientras la otra hace el ajuste necesario.

**ATENCIÓN!**

- El equipo es más estable cuando está lo más cerca posible del suelo. Por lo tanto, comience a nivelar el equipo girando todas las patas de apoyo completamente hacia adentro, antes de girar las patas necesarias para estabilizar y nivelar el equipo.

**Core-bar (Barra central)**

La barra central debe colocarse en posición de almacenamiento para la función de caminar/correr en cinta, y debe colocarse en modo de función para las funciones de trineo.

**Fijar la barra central antes de correr (Fig F-1)****ATENCIÓN!**

- Antes de guardar la barra central, desenganche las bandas elásticas de resistencia adicionales. Para ello, desengánchelas de la barra central.
- Tire del pomo de ajuste y gírelo hacia la izquierda hasta que el pomo baje automáticamente.
- Colóquese en las barandillas laterales y empuje la barra central hacia delante hasta que el pomo bloquee la barra central al caer por completo.  
Para empujar la barra central hacia delante se requiere una fuerza media.

**Libere la barra central para la función de trineo (Fig F-2)****ATENCIÓN!**

- Asegúrese de que la barra central está libre de accesorios antes de liberarla.

- Tire hacia arriba del pomo de ajuste y gírelo hacia la derecha para mantenerlo en posición elevada.
- Al retroceder, la barra central se desplazará automáticamente a la posición de funcionamiento.

### **Banda elástica de resistencia**

Las bandas elásticas de resistencia pueden utilizarse para aumentar la resistencia de la barra central en las funciones de modo trineo. Basta con enganchar una o las dos bandas elásticas de resistencia en la parte inferior de la barra para aumentar la resistencia a su gusto. (Fig. F-3)

### **Consola (fig E-1)**

#### **⚠ PRECAUCIÓN**

- Mantenga la consola alejada de la luz solar directa.
- Seque la superficie de la consola cuando esté cubierta de gotas de sudor.
- No se apoye en la consola.
- Toque la pantalla únicamente con la punta del dedo. Asegúrese de no tocar la pantalla con las uñas ni objetos afilados.

#### **📏 NOTA**

- La consola pasa al modo de espera activa cuando la máquina no se usa durante 4 minutos.

### **Botones**

#### **Véase (Fig. E-1)**

#### **⚠ PRECAUCIÓN**

- Algunos botones tienen funciones diferentes según la configuración funcional de la cinta de correr.
- La información de la función principal del botón se aplica a las funciones cuando la cinta está en el modo de funcionamiento normal.
- Los botones con funciones diferentes en otros modos funcionales se mencionan por separado en las secciones:
  - Funciones específicas del botón del modo Trineo.
  - Funciones específicas del botón del modo Velocidad límite.
  - Funciones específicas del botón del modo de retroceso.

#### **Emergency (Emergencia)**

- Al pulsar el botón rojo de emergencia se activará la parada de emergencia y se detendrá rápidamente el movimiento de la cinta de correr.
- Al pulsar el botón de emergencia, la llave de seguridad saldrá ligeramente y se evitará que la cinta se reinicie accidentalmente.
- Vuelva a introducir la llave de seguridad completamente en la ranura para desactivar el modo de parada de emergencia.

#### **Enter**

Confirme los datos ajustados en el modo de programación de ajustes.

#### **Menos**

Disminuye el valor en el modo de programación de ajustes.

#### **Más**

Aumenta el valor en el modo de programación de ajustes.

#### **Start (Inicio)**

En el modo de parada, pulse el botón para iniciar el entrenamiento. En el modo de pausa, pulse el botón para continuar el entrenamiento.

#### **Return (Retorno)**

Pulse el botón para volver al menú de ajustes.

#### **Stop / Pause (Parar / Pausa)**

En el modo de entrenamiento, pulse el botón para poner la cinta de correr en modo de pausa.

En modo pausa, pulse para poner la cinta en modo parada.

#### **Sled Programs - Botones de selección rápida de programas de trineo**

En el modo de parada, pulse el botón para seleccionar un programa de función de trineo y abrir el menú de ajuste asociado al programa. Los programas de trineo son: Goal Distance (Objetivo de distancia), Goal Time (Objetivo de tiempo), Manual, Custom (Personalizado), Strength Test (Prueba de fuerza)

#### **Treadmill Programs - Botones de selección rápida de programas de la cinta de correr**

En el modo de parada, pulse el botón para seleccionar un programa de funciones de la cinta de correr y abrir el menú de ajustes asociados al programa.

Los programas de la cinta de correr son: Limit mode (Modo límite), P1-P5, P6-P10, User (Usuario), HRC, Goal Training (Entrenamiento por objetivo), Backward walking (Marcha atrás)

#### **Botones del manillar izquierdo - Stop**

La función es la misma que la del botón "Stop / Pause" (Parada / Pausa) situado en el panel de botones principal.

#### **Botones del manillar izquierdo - Incline (Inclinación) Menos**

- Reduce la inclinación (0 ~ 15 -1).
- Cambia los valores en modo de programación.

#### **Botones del manillar izquierdo - Incline (Inclinación) Más**

- Aumenta la inclinación (0 ~ 15 +1).
- Cambia los valores en modo de programación.

#### **Botones del manillar izquierdo - Teclas de acceso directo a la inclinación**

- Las teclas de acceso rápido de inclinación se han configurado como 2, 4, 6, 8, 10, 12
- Por ejemplo, cuando la cinta de correr se utiliza en el modo de función de cinta de correr.  
El nivel de inclinación cambia desde cualquier nivel a 6 pulsando la tecla de acceso rápido de inclinación 6.

#### **Manillar derecho - Speed / Sled - Start (Velocidad / Trineo - Inicio)**

Su función es la misma que la del botón "Start" (Inicio) situado en el panel de botones principal.

#### **Manillar derecho - Speed / Sled - Menos**

- Reduce la velocidad (0,5 ~ 20,0 km/h).
- Con cada pulsación se reduce la velocidad 0,1 km/h.
- Si se mantiene pulsado durante dos segundos la velocidad disminuye más rápidamente.
- Cambia los valores en modo de programación.

#### **Manillar derecho - Speed / Sled - Más**

- Aumenta la velocidad (0,5 ~ 20,0 km/h).
- Con cada pulsación se aumenta la velocidad 0,1 km/h.
- Si se mantiene pulsada durante dos segundos, la velocidad aumenta más rápidamente.
- Cambia los valores en modo de programación.

**Manillar derecho - Speed / Sled (Velocidad / Trineo) - Teclas de acceso rápido**

- Las teclas de "Speed / Sled" (Velocidad/Trineo) se han configurado como 3, 6, 9, 12, 15, 18.
- Por ejemplo, cuando la cinta de correr se utiliza en el modo de función de cinta de correr. La velocidad cambia de cualquier velocidad a 9 km/h pulsando la tecla de acceso rápido de velocidad 9.

**Funciones específicas del botón del modo Trineo****Manillar - Speed / Sled (Velocidad / Trineo) - Menos**

- Disminuye la resistencia del trineo (1 ~ 100%).
- Al pulsar una vez, se reduce la resistencia un 1%.
- Si se mantiene pulsado durante dos segundos la resistencia disminuye más rápidamente.
- Desplácese por los programas y cambie los valores en modo de programación.

**Manillar Speed / Sled (Velocidad / Trineo) - Más**

- Aumenta la resistencia del trineo (1 ~ 100%).
- Al pulsar una vez, se aumenta la resistencia un 1%.
- Si se mantiene pulsada durante dos segundos, la resistencia aumenta más rápidamente.
- Desplácese por los programas y cambie los valores en modo de programación.

**Manillar - Speed / Sled (Velocidad / Trineo) - Teclas de acceso rápido**

Cuando la cinta de correr está ajustada en la función del modo Trineo, las teclas de acceso rápido están programadas para representar

Botón rápido 3	15%	Botón rápido 12	60%
Botón rápido 6	30%	Botón rápido 15	75%
Botón rápido 9	45%	Botón rápido 18	90%

- Al pulsar un botón rápido, la resistencia se ajusta instantáneamente a la resistencia inicial.
- Por ejemplo, cuando la cinta se utiliza en modo trineo y se pulsa el botón 9, la resistencia cambiará directamente al 45%.

**Funciones específicas del botón de modo de Velocidad límite****Manillar - Speed / Sled (Velocidad / Trineo) - Menos**

- Reduce la velocidad (0,1 ~ 2,5 km/h).
- Con cada pulsación se reduce la velocidad 0,1 km/h.
- Si se mantiene pulsado durante dos segundos la velocidad disminuye más rápidamente.

**Manillar Speed / Sled (Velocidad / Trineo) - Más**

- Aumenta la velocidad (0,1 ~ 2,5 km/h).
- Con cada pulsación se aumenta la velocidad 0,1 km/h.
- Si se mantiene pulsada durante dos segundos, la velocidad aumenta más rápidamente.

**Manillar - Speed / Sled (Velocidad / Trineo) - Teclas de acceso rápido**

Cuando la cinta de correr está ajustada en la función del modo Velocidad límite, las teclas de acceso rápido están programadas para representar

Botón rápido 3	0,6	Botón rápido 12	1,5
Botón rápido 6	0,9	Botón rápido 15	1,8
Botón rápido 9	1,2	Botón rápido 18	2,1

- Al pulsar un botón rápido, la velocidad se ajusta instantáneamente a la velocidad inicial

- Por ejemplo, cuando la cinta de correr se utiliza en el modo de Velocidad límite.

La velocidad cambia de cualquier velocidad a 1,2 km/h pulsando la tecla de acceso rápido de velocidad 9.

**Funciones específicas del botón del modo de retroceso****Manillar - Speed / Sled (Velocidad / Trineo) - Menos**

- Reduce la velocidad (0,1 ~ 2,5 km/h).
- Con cada pulsación se reduce la velocidad 0,1 km/h.
- Si se mantiene pulsado durante dos segundos la velocidad disminuye más rápidamente.

**Manillar Speed / Sled (Velocidad / Trineo) - Más**

- Aumenta la velocidad (0,1 ~ 2,5 km/h).
- Con cada pulsación se aumenta la velocidad 0,1 km/h.
- Si se mantiene pulsada durante dos segundos, la velocidad aumenta más rápidamente.

**Manillar - Speed / Sled (Velocidad / Trineo) - Teclas de acceso rápido**

Cuando la cinta de correr está ajustada en la función del modo de Retroceso, las teclas de acceso rápido están programadas para representar

Botón rápido 3	0,6	Botón rápido 12	1,5
Botón rápido 6	0,9	Botón rápido 15	1,8
Botón rápido 9	1,2	Botón rápido 18	2,1

- Al pulsar un botón rápido, la velocidad se ajusta instantáneamente a la velocidad inicial
- Por ejemplo, cuando la cinta de correr se utiliza en el modo de retroceso. La velocidad cambia de cualquier velocidad a 1,2 km/h pulsando la tecla de acceso rápido de velocidad 9.

**Explicación de los elementos de la pantalla****Matriz de puntos**

La matriz de puntos muestra el perfil del programa en dos secciones, de la siguiente manera.

- Las 10 primeras filas representan el ajuste de inclinación
- Las segundas 10 filas representan el ajuste de velocidad cuando se está en modo de cinta de correr.
- La intensidad del trineo cuando está en modo trineo.
- Cuando se está en modo de programación, se muestran datos de parámetros.

**Incline (Inclinación)**

- Muestra la inclinación real de la cinta en modo de entrenamiento.
- Muestra el objetivo de inclinación en modo de programación.

**Speed / Sled (Velocidad / Trineo)**

Speed / Sled es una ventana compartida que tiene una función diferente según el modo de la cinta de correr.

Cuando la cinta de correr está en modo funcional de cinta de correr (también velocidad límite y velocidad de retroceso)

- Muestra la velocidad real de la cinta de correr en KM/H.
- Muestra el objetivo de velocidad en modo de programación.

Cuando la cinta de correr está en modo funcional de trineo.

- Muestra la resistencia real de la cinta en % cuando está en modo trineo.
- Muestra el objetivo de velocidad en el modo de programación de funciones de la cinta de correr.

### Heart Rate (Ritmo cardíaco)

- Muestra la frecuencia cardíaca medida en modo de entrenamiento, o "P" cuando no se mide la frecuencia.

### Barra de información

La barra de información muestra datos o instrucciones para guiar a los usuarios cuando la cinta está en modo de espera.

### Barra de información - Sección Program (Programa)

- Muestra la selección de programa cuando se encuentra en modo de programación.
- Muestra "-- --" cuando está en modo entrenamiento.

### Barra de información - Sección Cal/Watt (Calorías / Vatios)

- Muestra las kilocalorías consumidas en modo de entrenamiento.
- Muestra el objetivo de kilocalorías restantes cuando el entrenamiento está en modo de objetivo calorías.
- Muestra el objetivo de kilocalorías cuando se encuentra en modo de programación.
- Muestra los vatios cuando está en modo trineo.

### Barra de información - Sección Distance (Distancia)

- Muestra la distancia recorrida en modo de entrenamiento.
- Muestra la distancia restante cuando se entrena en modo de objetivo de distancia.
- Muestra el objetivo de distancia cuando se encuentra en modo de programación.

### Barra de información - Sección Time (Tiempo)

- Muestra el tiempo de carrera en modo de entrenamiento.
- Muestra el tiempo restante cuando se entrena en el modo de objetivo de tiempo.
- Muestra el tiempo objetivo cuando se encuentra en modo de programación.

### Barra de información - Sección User (Usuario)

- Muestra la selección de Usuario cuando se está en modo programación.
- Muestra "-- --" cuando está en modo entrenamiento.

### Explicación de la señal acústica de la pantalla

La consola está diseñada para que avise al usuario mediante una señal acústica.

De esta forma se advierte al usuario de un cambio para un entrenamiento más seguro.

La consola avisa al usuario:

- Cuando se pulsa un botón.
- Cuando se alcanza un objetivo preestablecido.
- Para anunciar un cambio en la velocidad o la inclinación a causa del programa seleccionado.

### Función USB

El usuario puede conectar su dispositivo para cargarlo durante el entrenamiento.

Tensión / Corriente: 5 VCC / 1,0 A

## Funcionamiento de la consola

### Inicio rápido

- Pulse el botón "Start/Pause" (Inicio/Pausa) para empezar la sesión sin ningún ajuste predeterminado.
- La cinta de correr se pondrá en funcionamiento a una velocidad mínima de 0,8 km/h y mantendrá el ajuste de inclinación establecido en ese momento.
- Ajuste manualmente la velocidad / inclinación en cualquier momento para cambiar el entrenamiento y pulse Stop / Pause en cualquier momento.

### Finalizar o pausar su entrenamiento

- Puede hacer una pausa en su entrenamiento en cualquier momento pulsando una vez el botón "Stop / Pause". En la pantalla aparecerá "PAUSE" cuando esté en modo pausa. El tiempo de pausa máx. es 4,30 min.
- Pulse el botón "Start / Pause" para reiniciar el entrenamiento desde el modo "PAUSE".
- Pulse una vez el botón "STOP" para detener momentáneamente el entrenamiento.
- Pulse "STOP" dos veces para finalizar el entrenamiento y ajustar la consola en: modo "Reinicio / Selección de programa".

## Programas de trineo

Para configurar un programa funcional de trineo, la cinta de correr debe estar en el modo "Reinicio / Selección de programa".

Ponga la cinta de correr en modo reinicio pulsando dos veces el botón "Stop".

### ⚠ ATENCIÓN!

- La consola memorizará el último ajuste utilizado como el preferido y lo utilizará por defecto en el modo de programación.

### Función Cinta de Correr - Trineo

Cuando utilice la cinta de correr en el modo Trineo, la cinta cambiará el entrenamiento de caminar/correr por una función de entrenamiento de empuje de trineo.

En este modo, el usuario debe iniciar el movimiento de la cinta empujando con fuerza. Se puede aumentar la resistencia de la cinta en porcentajes para intensificar su entrenamiento.

### Objetivo de distancia

- Pulse el botón Goal distance (Objetivo de distancia) para seleccionar el programa objetivo de distancia.
- Muestra la distancia "50" por defecto o el último objetivo fijado, ya que memoriza la última distancia fijada como preferida.
- Utilice los botones "Más o Menos" para ajustar el objetivo deseado.  
± 100 m. Rango: 50 ~ 9000 m.
- Pulse Start (Inicio) para empezar la cuenta atrás y comience su entrenamiento poniendo la cinta de correr en movimiento.
- Se pueden utilizar los botones Más o Menos de "Speed / Sled" (Velocidad / Trineo) para cambiar la resistencia también +/-
- El entrenamiento se detendrá cuando alcance el objetivo de distancia establecido.



## Objetivo de tiempo

- Pulse el botón Goal Time (Objetivo de tiempo) para seleccionar el programa de objetivo de tiempo.
- La pantalla muestra "30 s." como valor predeterminado, o el último objetivo establecido, ya que memoriza el último tiempo establecido como preferida.
- Utilice los botones "Más o Menos" para ajustar el objetivo deseado.  
± 5 s. Rango: 5 ~ 990 s.
- Pulse Start (Inicio) para empezar la cuenta atrás y comience su entrenamiento poniendo la cinta de correr en movimiento.
- Se pueden utilizar los botones Más o Menos de "Speed / Sled" (Velocidad / Trineo) para cambiar la resistencia también +/- durante el entrenamiento.
- El entrenamiento se detendrá cuando se alcance el objetivo de tiempo establecido.

## Manual

- Pulse el botón Manual para seleccionar el programa manual.
- La pantalla muestra la distancia "10%" como el objetivo de tiempo establecido por defecto.
- Utilice los botones Más o Menos de "Speed / Sled" (Velocidad / Trineo) para ajustar la resistencia inicial deseada para su entrenamiento.  
± 1 % Rango: 1 ~ 100%.
- Pulse Start (Inicio) para empezar la cuenta atrás y comience su entrenamiento poniendo la cinta de correr en movimiento.
- Se pueden utilizar los botones Más o Menos de "Speed / Sled" (Velocidad / Trineo) para cambiar la resistencia también +/- durante el entrenamiento.
- El entrenamiento se detendrá cuando el usuario lo detenga manualmente.

## Personalizado

Hay 5 programas personalizados disponibles, son los siguientes: C1, C2, C3, C4 y C5. Estos programas se pueden configurar libremente según las preferencias del usuario.

- Pulse el botón Custom (Personalizado) para seleccionar el programa personalizado.
- La pantalla mostrará C1 por defecto. Utilice los botones "Custom" (Personalizado) para seleccionar C1 ~ C5 como desee y pulse Enter para confirmar.
- Establece el número de pasos que desee en su perfil. La pantalla muestra el valor predeterminado para el programa seleccionado. Utilice los botones "Más o Menos" para ajustar el número de pasos.  
Rango: 2 ~ 12 ( ± 1 ), y pulse Enter para confirmar.
- Ajuste el "intervalo" que representa el tiempo funcional del Trineo activo para cada uno de los pasos. La pantalla de frecuencia cardíaca muestra 15 por defecto (tiempo en segundos). Utilice los botones "Más o Menos" para ajustar el tiempo de reposo en segundos.  
Rango: 15 ~ 120 ( ± 15 ), y pulse Enter para confirmar.
- Ajuste el "Tiempo de descanso" como tiempo de pausa entre los pasos del entrenamiento de trineo. La pantalla de la ventana de frecuencia cardíaca muestra 15 como valor predeterminado (tiempo en segundos). Utilice los botones "Más o Menos" para ajustar el tiempo de reposo en segundos.  
Rango: 15 ~ 120 ( ± 15 ), y pulse Enter para confirmar.

- Ajuste el nivel de resistencia para el modo de entrenamiento. La pantalla muestra 10% como valor predeterminado. Utilice los botones "Más o Menos" de "Speed / Sled" (Velocidad / Trineo) para ajustar el nivel de resistencia deseado para el primer segmento de su entrenamiento personalizado.  
Rango: 1% ~ 100% ( ± 1 )  
Ajuste el nivel de inclinación y pulse Enter para confirmar. La pantalla muestra 0 como valor predeterminado (tiempo en segundos). Utilice los botones Más o Menos de "Incline" (Inclinación) para ajustar el tiempo de descanso en segundos. Utilice los botones "Incline" (Inclinación) para ajustar el nivel de inclinación deseado para el primer segmento de su entrenamiento personalizado.  
Rango: 0 ~ 15 ( ± 1 )
- Configure los ajustes para todos los pasos de su entrenamiento personalizado de la misma manera.
- Pulse el botón "Start" (Inicio) para iniciar su entrenamiento.

## ⚠ ATENCIÓN!

- Los ajustes se guardarán automáticamente.
- Los ajustes pueden modificarse seleccionando el mismo programa y realizando los cambios deseados.

## Prueba de resistencia

El programa de prueba de resistencia está configurado para medir la resistencia máxima de los usuarios.

- Pulse el botón Strength (Resistencia) para seleccionar el programa de prueba de resistencia.
- La pantalla muestra el objetivo de tiempo establecido por defecto.
- Utilice los botones "Más o Menos" para ajustar el objetivo deseado.  
± 30 s. Rango: 30 ~ 120 s.
- Pulse "Start" (Inicio) para comenzar su entrenamiento. El entrenador generará una resistencia del 100%, en la que el usuario deberá esforzarse al máximo para poner la cinta de correr en movimiento lo más rápido posible. Durante la prueba, se mostrarán los parámetros de tiempo real en la pantalla.
- Una vez alcanzado el objetivo de tiempo establecido, la consola mostrará el resultado de la prueba en Distancia total y resistencia media calculada sobre la duración total de la prueba.

## Programas de la cinta de correr

Cuando utilice la cinta en modo de cinta de correr, ésta utilizará el motor interno para impulsar la velocidad de la cinta. Esta es la función estándar de una cinta de correr convencional.

Para establecer un programa de la cinta de correr, la cinta debe estar en modo de "Reinicio / Selección de programa". Ponga la cinta de correr en modo de reinicio pulsando dos veces el botón "Stop"

## ⚠ ATENCIÓN!

- La consola memorizará el último ajuste utilizado como el preferido y lo utilizará por defecto en el modo de programación.

### **Modo de límite**

- Pulse el botón Limit Mode (Modo de límite) para seleccionar el programa de modo de límite.
- Pulse el botón "Start" (Inicio) para iniciar su entrenamiento.
- La cinta de correr arrancará a una velocidad de 0,1 KM/H.
- Los botones Más o Menos de "Speed / Sled" (Velocidad / Trineo) se pueden utilizar para cambiar la velocidad de entrenamiento en cualquier momento.  
± 0,1 KM/H                      Rango: 0,1 ~ 2,5 KM/H.
- El entrenamiento se detendrá cuando el usuario lo detenga manualmente.

### **Programas P1-P5**

Hay 10 programas preprogramados.

- P1~P3 son programas de velocidad controlada.
- P4-P5 son programas controlados por combinación de velocidad e inclinación.
- Véase: La imagen P1-P5 para conocer el contenido del programa de la cinta de correr P1-P5.
  
- Pulse los botones P1-P5 para seleccionar el programa del modo de límite.
- Utilice los botones "P1-P5" para seleccionar el programa deseado. La pantalla muestra la distancia P1 como programa predeterminado.
- Utilice los botones "P1-P5" para seleccionar el programa deseado: P1 ~ P5, y pulse Enter para confirmar.
- Utilice los botones "Más o Menos" para seleccionar el nivel de programa deseado. La pantalla muestra .L1 como nivel de programa por defecto.
- Utilice los botones "Más o Menos" para seleccionar el nivel deseado: L1 ~ L4, y pulse Enter para confirmar.
- Pulse el botón "Start" (Inicio) para iniciar su entrenamiento.
- El entrenamiento se detendrá al llegar al final del programa.

### **Comportamiento del programa P1 ~ P5**

- La duración del programa está ajustada a 36 minutos. Cada minuto, el perfil cambiará al siguiente segmento del programa, y volverá a empezar cuando llegue al final. El usuario puede cambiar la velocidad y la inclinación en cualquier momento. El programa recuperará su perfil automáticamente al pasar a la siguiente fase.
- El entrenamiento se detendrá al llegar al final del programa.

### **Programas P6 - P10**

Hay 10 programas preprogramados.

- P6~P10 son programas controlados por inclinación.
- Véase: La imagen P6~P10 para conocer el contenido del programa de la cinta de correr P6~P10.
  
- Pulse el botón P6-P10 para seleccionar el programa del modo de límite.
- Utilice los botones "Más o Menos" para seleccionar el programa deseado. La pantalla muestra la distancia P1 como programa por defecto.
- Utilice los botones "Más o Menos" para seleccionar el programa deseado: P6 ~ P10, y pulse Enter para confirmar.
- Utilice los botones "Más o Menos" para seleccionar el nivel de programa deseado. La pantalla muestra .L1 como nivel de programa por defecto.

- Utilice los botones "Más o Menos" para seleccionar el nivel deseado: L1 ~ L4, y pulse Enter para confirmar.
- Pulse el botón "Start" (Inicio) para iniciar su entrenamiento.

### **Comportamiento del programa P6 ~ P8**

- La duración del programa está ajustada a 36 minutos. Cada minuto, el perfil cambiará al siguiente segmento del programa, y volverá a empezar cuando llegue al final. El usuario puede cambiar la velocidad y la inclinación en cualquier momento. El programa recuperará su perfil automáticamente al pasar a la siguiente fase.
- El entrenamiento se detendrá al llegar al final del programa.

### **Comportamiento del programa P9 - P10**

- La duración del programa está ajustada a 5 km para P9 y 10 km para P10. Cada 200 metros, el perfil cambiará al siguiente segmento del programa, y volverá a empezar cuando llegue al final. El usuario puede cambiar la velocidad y la inclinación en cualquier momento.
- El entrenamiento se detendrá al llegar al final del programa.

### **Usuario**

- Pulse el botón "User" (Usuario) para seleccionar / configurar un programa de usuario. La pantalla muestra U1 por defecto.
- Utilice los botones "User" para seleccionar el usuario deseado: U1 ~ U5, y pulse Enter para confirmar.

### **Configuración de datos de usuario**

- Establezca su sexo, la pantalla muestra (hombre) o (mujer). Utilice los botones "Más o Menos" para seleccionar el sexo correcto y pulse Enter para confirmar.
- La pantalla muestra Age (Edad) para establecer su edad. La pantalla muestra 30 por defecto, o la última edad establecida. Utilice los botones "Más o Menos" para ajustar la edad correcta ± 1    Rango: 15 ~ 80 años y pulse Enter para confirmar.
- La pantalla muestra Height (Altura) para ajustar su altura. La pantalla muestra 170 (cm) como valor predeterminado, o la última altura establecida. Utilice los botones "Más o Menos" para establecer la altura correcta ± 1    Rango: 100 ~ 220 (cm) y pulse Enter para confirmar.
- La pantalla muestra Weight (Peso) para establecer su peso corporal. La pantalla muestra 75 (kg) como valor predeterminado, o muestra el último peso establecido. Utilice los botones "Más o Menos" para ajustar el peso correcto ± 1    Rango: 30 ~ 150 (kg) y pulse Enter para confirmar.
- La ventana Pulse (Pulso) mostrará el índice de masa corporal (IMC) personal basado en los parámetros de usuario configurados.

### **Configuración del perfil de programa de usuario.**

- Pulse Enter para abrir el menú de configuración de su perfil de programa de usuario.
- La pantalla de frecuencia cardiaca muestra: 1 para indicarle que establezca los ajustes de velocidad e inclinación para la primera etapa de su perfil de un total de 12 etapas.
- Ajuste la velocidad deseada para el primer segmento del programa de usuario utilizando los botones de Más / Menos velocidad. Ajuste la inclinación deseada para el primer segmento del programa de usuario utilizando los botones de Más / Menos inclinación. Confirme pulsando el botón Enter.

- La pantalla de pulsaciones muestra 2  
Ajuste los 12 segmentos de su perfil de programa.
- La pantalla muestra el objetivo de tiempo "35" min, use el botón +/- para cambiar el objetivo de tiempo.  $\pm 1$  Rango: 1 ~ 99  
Pulse Start (Inicio) para iniciar el ejercicio.

## HRC

### ATENCIÓN!

- La frecuencia cardíaca recomendada se basa en la frecuencia cardíaca máxima de los usuarios, calculada según la edad de los usuarios, de la siguiente manera: 220 - Edad.
  - El ajuste de FC mínima es el 50% de la FC máxima de los usuarios
  - El ajuste de objetivo de FC máxima es el 100% de la máxima FC de los usuarios
- Pulse el botón HRC para seleccionar el programa HRC.
  - Establezca la edad de los usuarios utilizando los botones "Más o Menos" y confirme pulsando el botón Enter
  - Ajuste la frecuencia cardíaca deseada con los botones "Más o Menos" y confirme los datos. (El límite máximo está determinado por la edad establecida (220 - edad)
  - Pulse el botón "Start" (Inicio) para iniciar su entrenamiento.
  - El entrenamiento se detendrá después de 30 minutos de cuenta atrás.

La cinta se detendrá después de  $\pm 30$  s. sin recibir frecuencia cardíaca.

## Entrenamiento por objetivos

- Hay 3 programas de entrenamiento por objetivos, que son respectivamente:  
Objetivo de distancia, objetivo de tiempo, objetivo de calorías.

Pulse el botón Goal Training (Entrenamiento por objetivos) dos veces para abrir: Goal Time (Objetivo de tiempo).

Pulse el botón Goal Training tres veces para abrir: Goal Calories (Objetivo de calorías).

### Objetivo de distancia

- Pulse el botón Goal Training (Entrenamiento por objetivos) una vez para abrir: Goal Distance (Objetivo de distancia).
- La pantalla muestra la distancia "0,1" (KM) por defecto o el último objetivo establecido, ya que memoriza la última distancia establecida como la preferida.  
Utilice los botones "Más o Menos" para establecer el objetivo deseado.  
 $\pm 0,1$  KM Rango: 0,1 ~ 99,9 KM.  
Mantenga pulsado el botón "Más o Menos" para un ajuste rápido  $\pm 1,0$  km.
- Pulse el botón "Start" (Inicio) para iniciar su entrenamiento.
- El entrenamiento se detendrá cuando se alcance el objetivo de distancia establecido.

### Objetivo de tiempo

- Pulse el botón Goal Training (Entrenamiento por objetivos) dos veces para abrir: Objetivo de tiempo.
- La pantalla muestra el tiempo "1" (Min) por defecto, o el último objetivo establecido, ya que memoriza el último tiempo establecido como el preferido.

- Utilice los botones "Más o Menos" para establecer el objetivo deseado.  
 $\pm 1$  min. Rango: 1 ~ 99 min.  
Mantenga pulsado el botón "Más o Menos" para un ajuste rápido  $\pm 1$  min. Pulse "Start" (Inicio) para comenzar su entrenamiento.
- El entrenamiento se detendrá cuando se alcance el objetivo de tiempo establecido.

### Objetivo de calorías

- Pulse tres veces el botón Goal Training (Entrenamiento por objetivos) para abrir: Goal Calories (Objetivo de calorías).
- La pantalla muestra las calorías "10" (K.Cal) por defecto, o el último objetivo fijado, ya que memoriza la última distancia fijada como la preferida.
- Utilice los botones "Más o Menos" para ajustar el objetivo deseado.  
 $\pm 1$  K.Cal. Rango: 10 ~ 999 K. Cal.  
Mantenga pulsada la tecla "Más o Menos"  $\pm 10$  K.Cal.
- Pulse el botón "Start" (Inicio) para iniciar su entrenamiento.
- El entrenamiento se detendrá cuando se alcance el objetivo de calorías establecido.

## Caminar hacia atrás

La función Backward Walking (Caminar hacia atrás) mueve la cinta de correr hacia atrás. De esta manera, se puede hacer ejercicio caminando hacia atrás.

También puede darse la vuelta y utilizar esta función para caminar hacia delante con una inclinación elevada.

- Pulse el botón Backward Walking para seleccionar el programa del modo de marcha atrás.
- Pulse el botón "Start" (Inicio) para iniciar su entrenamiento.
- La cinta de correr arrancará a una velocidad de 0,1 KM/H en dirección de retroceso
- Los botones Más o Menos de "Speed / Sled" (Velocidad / Trineo) se pueden utilizar para cambiar la velocidad de entrenamiento en cualquier momento.  
 $\pm 0,1$  KM/H Rango: 0,1 ~ 2,5 KM/H.
- El entrenamiento se detendrá cuando el usuario lo detenga manualmente.

## Bluetooth & APP

- Esta consola puede conectarse con una App de un dispositivo móvil inteligente vía Bluetooth (iOS & Android)
- Establezca la conexión Bluetooth sólo a través del modo de conexión en la aplicación instalada en su teléfono smart.

### NOTA

- Tunturi solo ofrece la opción de conectar su consola de ejercicios físicos mediante conexión Bluetooth. Por tanto, Tunturi no se hace responsable por posibles daños o funcionamiento incorrecto de productos que no sean de la marca Tunturi.
- Consulta el sitio web para obtener información adicional

## Limpieza y mantenimiento

### ADVERTENCIA

- Su entrenador requiere un mantenimiento mensual, incluso cuando no se utiliza.
- Antes de la limpieza y el mantenimiento, retire el enchufe de red de la toma de pared.
- No utilice disolventes para limpiar la máquina.

- No obstruya las aberturas de ventilación. Mantenga las aberturas de ventilación libres de polvo, suciedad y otras obstrucciones.
- Limpie la máquina con un paño suave y absorbente tras cada uso.
- Limpie las partes visibles de la máquina con un aspirador que tenga una boquilla de aspiración pequeña.
- Compruebe periódicamente que todos los tornillos y las tuercas estén apretados.

### PRECAUCIÓN

- Recomendamos utilizar únicamente calzado de interior en la cinta de correr. En caso de no disponer de ellos, le recomendamos que compruebe las suelas de su calzado antes de utilizarlo en la cinta de correr para asegurarse de que están limpias, ya que la cinta no está diseñada para la suciedad del exterior.

### Limpieza general

La suciedad, el polvo y el pelo de los animales pueden bloquear las entradas de aire y acumularse en la cinta de correr. Pase la aspiradora mensualmente debajo de la cinta para evitar que se acumule.  
DESENCHUFE EL CABLE DE ALIMENTACIÓN ANTES DE HACER ESTAS TAREAS.

### **Polvo de la cinta**

Esto ocurre durante una interrupción normal o hasta que la cinta se estabilice. Si limpia el exceso de polvo con un paño húmedo se minimizará la acumulación de éste.

### Cinta y cubierta de correr:

La cinta de correr utiliza una base de baja fricción muy eficiente. El rendimiento se maximiza cuando la plataforma de funcionamiento se mantiene limpia y sin polvo y suciedad. La suciedad y las partículas de polvo entre la plataforma y la banda de rodadura dañarán la superficie de la plataforma, lo que afectará al rendimiento y a la vida útil del producto.

### **Cómo limpiar la plataforma para correr**

Utilice un paño suave y seco para limpiar el borde de la cinta y el área entre el borde de la cinta y el bastidor. Intente llegar también bajo los bordes de la cinta de correr, para eliminar también la suciedad acumulada en los bordes.

### **Cómo limpiar la superficie de la cinta de correr**

En primer lugar, utilice un cepillo de nylon para eliminar las partículas sueltas de la superficie de la cinta de correr. A continuación, utilice un paño húmedo escurrido (sin limpiadores ni abrasivos) para limpiar suavemente la parte superior de la cinta texturizada. Deje que la cinta se seque completamente antes de utilizarla.

### ATENCIÓN!

- Cuando la cinta esté demasiado sucia para limpiarla solo con agua, puede utilizar un jabón suave, pero nunca un disolvente lubricante.
- Evite que la solución se introduzca en cualquier momento entre la plataforma y la cinta de correr.

Esto debe efectuarse regularmente para prolongar la vida útil de la cinta de correr y la plataforma.

### Lubricación (Fig. F-6)

#### ¡ATENCIÓN!

- La cinta de correr se lubrica previamente antes de colocarla en el aparato durante la producción de la unidad. Por lo tanto, no hace falta lubricar la cinta de correr cuando se use por primera vez.

La cinta de correr debe inspeccionarse con regularidad para verificar su correcta lubricación. Para ello cuenta con una función de recordatorio de 300 km. La "VENTANA DE TIEMPO" mostrará "ACEITE" y emitirá una señal acústica cada 10 segundos a modo de recordatorio. Siga el procedimiento de comprobación siguiente y elimine el mensaje "ACEITE" y la señal acústica manteniendo pulsado el botón "PARADA" durante al menos 3 segundos durante esta señal de advertencia.

### ADVERTENCIA

- Antes de la lubricación, retire el enchufe de red de la toma de pared.

### PRECAUCIÓN

- Recomendamos revisar la lubricación de la cinta de correr una vez al mes como mínimo, ya que hay otros factores que pueden afectar al estado de la lubricación, aparte del tiempo.
- Lubrique la banda sólo si es necesario. Si aplica demasiado lubricante, la banda resbalará fácilmente debido a la ausencia de fricción.

- Sitúese sobre la banda.
- Sujete el manillar frontal y empuje la banda con los pies de modo que se deslice hacia atrás y hacia delante. La banda debe moverse suave y regularmente sin hacer ruido.
- Si la banda no se mueve suave y regularmente o no se mueve, toque la parte baja de la banda con las puntas de los dedos para comprobar la lubricación:
  - Si nota el lubricante o sus dedos están brillantes, hay suficiente lubricación en la banda.
  - Si no nota lubricante o sus dedos tienen polvo o están ásperos, aplique lubricante ( $\pm 10$  ml.) en la mitad de la plataforma bajo la banda y deje que la máquina funcione a 5 km/h durante al menos 5 minutos.
  - Tras la lubricación, no pliegue el equipo antes de haber realizado un entrenamiento de 2 minutos con una velocidad de al menos 5 km/h.  
Esto hará que la cinta de correr absorba el lubricante por completo y se distribuya de manera uniforme.

### ATENCIÓN!

- Si 5 km/h es demasiado rápido, camine a la velocidad que desee, pero prolongue la duración hasta al menos 5 minutos.



Haga clic para ver nuestro video de ayuda en YouTube  
<https://youtu.be/ceaOYnofY5k>

### Ajustes de la cinta

El rendimiento de la cinta depende de que el bastidor esté sobre una superficie suficientemente plana. Si el bastidor no está horizontal, el rodillo delantero y trasero no podrán ir paralelos y habrá que ajustar constantemente la cinta.

La cinta de correr está diseñada para mantener la cinta razonablemente centrada cuando está en uso. Es normal que algunas cintas se desvíen hacia un lado cuando la cinta está funcionando sin nadie encima. Después de unos minutos de uso, la cinta deberá tender a centrarse por sí misma. Si durante el uso la cinta sigue moviéndose hacia un lado, habrá que ajustarla.

### **EXCEPCIÓN:**

Durante una rehabilitación en la que el usuario esté usando una pierna mucho más que la otra, puede ocurrir que la cinta se desvíe a un lado. En esos casos, no deberá ajustarla a no ser que la cinta no se centre por sí misma durante el uso en condiciones normales.

## Ajuste de la tensión de la correa

Ajuste de la tensión de la cinta de correr: El ajuste se deberá hacer desde el rodillo trasero. Los tornillos de ajuste se encuentran en el extremo de las barras en las tapas finales, como se indica en el siguiente dibujo.

- Apriete los tornillos del rodillo trasero (a la derecha) solo lo suficiente para que no patine la cinta en el rodillo delantero. Gire los dos tornillos de ajuste de la tensión de la cinta en pasos de ¼ de vuelta cada uno y examine si la tensión es correcta andando sobre la cinta a baja velocidad, asegurándose de que la cinta no patina. Siga tensando los tornillos hasta que la cinta deje de patinar.
- Si le parece que la cinta está suficientemente tensa, pero sigue patinando, el problema puede ser que esté suelta una correa de transmisión del motor debajo de la cubierta delantera.
- No apriete en exceso: Si se aprieta en exceso se podrá dañar la cinta y provocar un fallo prematuro de los cojinetes.



Haga clic para ver nuestro video de ayuda en YouTube  
[https://youtu.be/pp4\\_4bL1MXo](https://youtu.be/pp4_4bL1MXo)

## Centrado de la cinta de correr (fig. F-5)

Es necesario centrar la cinta de correr cuando esta no sigue el centro de la superficie de correr. Esto se nota fácilmente cuando el espacio entre la cinta de correr y la banda lateral es significativamente mayor en un lado en comparación con el otro.

Esto puede estar causado por (lo siguiente):

### CAUSA 1

Utiliza una pierna con más potencia en el empuje durante el entrenamiento. Esto hace que se empuje la cinta hacia un lado, pero se corregirá automáticamente dejando la cinta en marcha sin carga durante unos minutos.

### CAUSA 2

La cinta de correr no está nivelada horizontalmente, por lo que la gravedad tira de la cinta de correr lentamente hacia el extremo más bajo de la cinta. Esto debe corregirse nivelando correctamente la cinta de correr, ya que no puede solucionarse con ningún otro ajuste.

### CAUSA 3

La cinta de correr no está centrada correctamente entre el tambor de rodillos delantero y trasero. Esto debe corregirse ajustando el seguimiento de la cinta de correr como se describe a continuación.

Para ajustar el seguimiento de la cinta de correr, utilice la llave Allen que se suministra con la cinta.

- Ajustar la cinta de correr a una velocidad de  $\pm 5$  km/h sin correr sobre ella.
- Si la cinta de correr se desplaza hacia el lado derecho. Gire el tornillo de ajuste del rodillo trasero izquierdo, situado en el extremo posterior en una toma de la cubierta del rodillo trasero, en sentido contrario a las agujas del reloj 1/4 de vuelta.
- Si la cinta de correr se desplaza hacia el lado izquierdo. Gire el tornillo de ajuste del rodillo trasero derecho, situado en el extremo posterior en una toma de la cubierta del rodillo trasero, en sentido contrario a las agujas del reloj 1/4 de vuelta.
- Espere  $\pm 2$  minutos para dar tiempo a la cinta de correr a responder al ajuste antes de repetir los pasos de ajuste (si es necesario para llegar al resultado deseado).

## ⚠ ¡ATENCIÓN!

- Recuerde que un pequeño ajuste puede suponer una gran diferencia, así que realice los ajustes con pequeños incrementos cada vez.



Haga clic para ver nuestro video de ayuda en YouTube  
<https://youtu.be/qx5AvTv00J4>

La cinta puede que requiera un ajuste periódico de la alineación dependiendo del uso y de las características de andar/correr. Algunos usuarios tendrán un efecto diferente sobre la alineación. Es de esperar que tenga que hacer los ajustes necesarios para centrar la cinta. Según se vaya usando la cinta, cada vez tendrá que realizar menos ajustes. Una alineación correcta de la cinta es una responsabilidad del propietario habitual en todas las cintas de correr.

## ⚠ NOTA

- los daños a la cinta de correr derivados de un ajuste incorrecto de la alineación/tensión no están cubiertos por la garantía.

## Defectos De Funcionamiento

Pese al continuo control de calidad que realizamos, el equipo puede presentar defectos o malfuncionamientos debidos a fallos en componentes individuales. En la mayoría de los casos no es necesario llevar todo el equipo a reparar, y generalmente es suficiente con reemplazar la parte defectuosa.

Si el equipo no funciona correctamente durante su uso, tome contacto inmediatamente con su proveedor Tunturi. Relate la naturaleza del problema, las condiciones de uso, la fecha de compra, el modelo y el número de serie.

En el reverso de esta guía encontrará la lista de piezas. Utilice sólo piezas de repuesto mencionadas en la lista de piezas de repuesto.

## Códigos de error

Si la pantalla muestra un código de error (marcado con "E" + número), reinicie la máquina y compruebe si la pantalla sigue mostrando el código de error. Si la pantalla sigue mostrando el código de error, contacte inmediatamente con su proveedor.

## Oil / Lubrication

OIL no es un código de error, ver "Lubricación"

## Cracking or wringing sound at low speed

When the running belt makes a cracking/ wringing noise when you put your body weight on the running belt during workout, the belt lubrication must be checked and most likely some lubricant is required. This problem mostly happens in the "Limit speed" mode or "Backward walking", as in these modes the running belt operation speeds can be set below 0.5 km/h.

See section "Lubrication" for more details on how to check and apply the lubricant status of your running belt.

## Transporte y almacenamiento

### ADVERTENCIA

- Antes de la limpieza y el mantenimiento, retire el enchufe de red de la toma de pared.
  - Al menos dos personas deben transportar y mover la máquina.
  - Asegúrese de que no haya otras personas ni objetos debajo de la máquina.
- Desplace el equipo como se indica (fig. F7).
- Retire el cable de alimentación antes de mover la cinta de correr para evitar que el éste quede atrapado por las ruedas y provoque daños en el cable de alimentación o en el enchufe de alimentación.
- Las ruedas situadas debajo de la cinta de correr están diseñadas para transportarla, pero tenga en cuenta que la cinta es extremadamente pesada.
- Debido al peso de la cinta, se recomienda transportarla únicamente sobre superficies planas, resistentes y limpias, para evitar daños en las ruedas.

## Garantía

### Garantía del propietario del equipo Tunturi

#### Condiciones de la garantía

El cliente tiene derecho a los beneficios jurídicos aplicables recogidos en la legislación nacional relativa al comercio de bienes de consumo. Esta garantía no restringe dichos beneficios. La garantía del cliente solo será válida si se utiliza el producto en un entorno autorizado por Tunturi New Fitness BV y se mantiene tal como se indica para el equipo concreto. Las instrucciones de mantenimiento y medioambientales aprobadas específicas del producto se indican en el "manual del usuario" del producto. El "manual de usuario" se puede descargar en nuestro sitio web. <http://manuals.tunturi.com>

#### Términos de la garantía

Los términos de la garantía comenzarán el día de la compra. Los términos de garantía pueden variar por país, así que consulte con su distribuidor local para ver cuáles son los términos de la garantía.

#### Cobertura de la garantía

Tunturi New Fitness BV o los distribuidores Tunturi no responderán en ninguna circunstancia a causa de esta garantía por los eventuales daños indirectos, secundarios, resultantes o especiales de ningún tipo derivados del uso o la imposibilidad de uso de este equipo.

#### Restricciones a la garantía

La garantía cubre los fallos debidos a la fabricación y los materiales en un equipo de ejercicio que esté en su ensambladura original. La garantía cubre solamente defectos que se manifiesten durante un uso normal, conforme a las instrucciones dadas en la guía suministrada con el equipo, a condición de que se hayan observado las instrucciones de montaje, mantenimiento y utilización proporcionadas por Tunturi. Tunturi New Fitness BV y los distribuidores Tunturi no pueden responder de fallos ocasionados por circunstancias ajenas a su control. La presente garantía sólo es válida para el comprador original del equipo de ejercicio y tiene vigencia solamente en los países en los que Tunturi New Fitness BV cuenta con un importador autorizado. La garantía no cubre los equipos de ejercicio o sus partes que hayan sido modificados sin el consentimiento previo de Tunturi New Fitness BV. La garantía no cubre fallos derivados del desgaste normal, de un uso indebido, de su uso en condiciones para las que el equipo no ha sido concebido, corrosión o daños sufridos durante la carga o el transporte.

La garantía no cubre los sonidos o ruidos emitidos durante el uso que no impidan de forma sustancial la utilización del equipo y que no estén provocados por un fallo del mismo

La garantía no cubre las actividades de mantenimiento tales como limpieza, lubricación o el ajuste normal de las piezas, ni los procedimientos de instalación que el cliente pueda realizar por sí mismo y que no requieran un desmontaje / montaje especial del equipo de ejercicio. Estos procedimientos son, por ejemplo, el cambio de contadores, pedales o de otras piezas simples similares. No se reembolsarán las reparaciones realizadas durante el periodo de garantía por agentes no autorizados por Tunturi. Si no se siguen adecuadamente las instrucciones dadas en el Manual del Propietario se invalidará la garantía del producto.

## Datos técnicos

Parámetro	Unidad de medición	Valor
Tensión de red	VAC	210~240
Frecuencia de red	HZ	50~60
Velocidad	Km/H	0.1~20.0
Inclinación	Step	0~15
Longitud	Cm	196.0
Anchura	Cm	88.0
Altura	Cm	154.7
Peso	Kg	155.8
Peso máx. del usuario	Kb	150
Medición de la frecuencia auditiva disponible a través de:	Contacto manual 5.3~ 5.4 Khz. BLE BT ANT+	Si Si Si No

### ATENCIÓN!

- Para conocer las dimensiones del producto y las dimensiones funcionales, consulte la ilustración G.

## Declaración del fabricante

Tunturi New Fitness BV declara que el producto es conforme con las siguientes normas y directivas: EN-957- (SA), 2014/30/EU. Por tanto, el producto dispone de marcado CE.

03-2023

Tunturi New Fitness BV  
Purmerweg 1  
1311 XE Almere  
The Netherlands

## Descargo de responsabilidad

© 2023 Tunturi New Fitness BV  
Reservados todos los derechos.

- El producto y el manual están sujetos a cambios.
- Las especificaciones pueden cambiarse sin previo aviso.
- Consulte nuestra página web para descargar la versión del manual de usuario más reciente.

**På svenska**

Denna handbok är en översättning av den engelska texten. Vi förbehåller oss rätten till eventuella översättningsfel. Den engelska originaltexten råder.

**Index**

<b>Välkommen.....</b>	<b>111</b>
<b>Säkerhetsvarningar.....</b>	<b>112</b>
Elsäkerhet .....	112
<b>Monteringsanvisningar .....</b>	<b>112</b>
Beskrivning illustration A.....	112
Beskrivning illustration B.....	112
Beskrivning illustration C.....	112
Beskrivning illustration D .....	113
Åtdragning av skruvar och muttrar .....	113
Ytterligare information .....	113
Fritt träningsutrymme (Fig. D-0) .....	113
Träning .....	113
Övning Instruktioner .....	113
Hjärtfrekvens .....	114
<b>Användning .....</b>	<b>114</b>
Justera stödfötterna.....	115
Core-bar.....	115
Bungee-motståndsband .....	115
<b>Panelen (fig E-1) .....</b>	<b>115</b>
Knappar .....	115
Specifika knappfunktioner i slädläge .....	116
Specifika knappfunktioner i hastighetsläge .....	116
Specifika knappfunktioner i bakåtläge.....	116
Förklaring av skärmlalternativ.....	117
Förklaring av ljudsignaler .....	117
USB-funktion.....	117
<b>Kontrollpanelen .....</b>	<b>117</b>
Quick start (Snabbstart) .....	117
Avsluta eller pausa ditt träningspass .....	117
<b>Slädprogram .....</b>	<b>117</b>
Slädens funktion.....	117
Målavstånd .....	118
Måltid.....	118
Manual (Manuell) .....	118
Custom (Anpassad) .....	118
Styrketest .....	118
<b>Löpbandsprogram .....</b>	<b>118</b>
Hastighetsläge.....	118
Program P1–P5.....	119
Program P6–P10.....	119
User (Användare).....	119
HRC (Hjärtfrekvens).....	119
Målträning .....	120
Gå bakåt .....	120
Bluetooth & APP.....	120
<b>Rengöring och underhåll .....</b>	<b>120</b>
Allmän rengöring.....	120
Bandet och löpunderlaget .....	120
Smörjning (Fig. F-6) .....	121
Justera bältet.....	121

<b>Störningar Vid Användning .....</b>	<b>122</b>
Felkoder.....	122
Oil / Lubrication.....	122
Cracking or wringing sound at low speed .....	122
<b>Transport och lagring.....</b>	<b>122</b>
<b>Garanti.....</b>	<b>122</b>
<b>Teknisk information .....</b>	<b>123</b>
<b>Försäkran från tillverkaren .....</b>	<b>123</b>
<b>Friskrivning .....</b>	<b>123</b>

**Välkommen**

Välkommen till Tunturi Fitness värld!

Tack för att du köpte denna utrustning från Tunturi. Tunturi erbjuder ett stort utbud av professionell träningsutrustning, exempelvis crosstrainers, löpband, träningscyklar, roddmaskiner, styrka bänkar och flera stationer. Utrustning från Tunturi passar hela familjen, oavsett träningsnivå. Mer information finns på vår webbplats, [www.tunturi.com](http://www.tunturi.com)

**Viktiga instruktioner om säkerhet**

Läs noga igenom denna handbok innan du monterar,, använder eller reparerar ditt nya träningsredskap. Spara denna handbok; den innehåller information som du behöver nu och i framtiden för att använda och underhålla ditt redskap. Följ alltid dessa instruktioner noggrant.

## Säkerhetsvarningar

### ⚠ VARNING

- Läs säkerhetsvarningarna och instruktionerna. Om inte säkerhetsvarningarna och instruktionerna följs kan det medföra skador på personer eller utrustningen. Behåll säkerhetsvarningarna och instruktionerna för framtida bruk.

### ⚠ VARNING

- System för övervakning av hjärtfrekvensen är inte alltid exakta. Överträning kan medföra allvarlig skada eller död. Sluta omedelbart att träna om du känner dig svag.
- Utrustningen är lämplig för hemmet och för professionellt bruk (t.ex. sjukhus, brandstationer, hotell, skolor etc.).
- Om utrustningen används av barn eller personer med fysiska, sensoriska, mentala eller motoriska handikapp, eller som saknar erfarenhet och kunskap, kan detta medföra risker. Personer som är ansvariga för deras säkerhet måste ge tydliga instruktioner, eller övervaka användningen av utrustningen.
- Innan du påbörjar din träning, uppsök en läkare som kan kontrollera din hälsa.
- Om du upplever illamående, yrsel eller andra onormala symptom, avsluta genast din träning och kontakta en läkare.
- Börja varje träningspass med att värma upp och avsluta varje träningspass med nedvarvning för att undvika muskelsmärter och sträckningar. Kom ihåg att stretcha i slutet av träningen.
- Utrustningen är endast anpassad för användning inomhus. Utrustningen är inte anpassad för användning utomhus.
- Använd endast utrustningen i miljöer med god ventilation. Använd inte utrustningen i dragiga miljöer för att undvika att bli förkyld.
- Använd endast utrustningen i miljöer med temperatur mellan 10 °C och 35 °C. Förvara endast utrustningen i miljöer med temperatur mellan 5 °C och 45 °C.
- Använd inte och förvara inte utrustningen i fuktig miljö. Luftfuktigheten får aldrig överstiga 80%.
- Använd endast utrustningen för dess avsedda ändamål. Använd inte utrustningen för andra ändamål än de som beskrivs i handboken.
- Använd inte den här utrustningen om någon del är trasig eller skadad. Om någon del är trasig eller skadad, kontakta din återförsäljare.
- Håll undan händer, fötter och andra kroppsdelar från de rörliga delarna.
- Håll undan håret från de rörliga delarna.
- Bär passande kläder och skor.
- Håll undan kläder, smycken och andra föremål från de rörliga delarna.
- Låt bara en person åt gången använda utrustningen. Utrustningen får inte användas av personer som väger mer än 150 kg (330 lbs).
- Öppna inte utrustningen utan att kontakta din återförsäljare.

### Elsäkerhet

(endast elektrisk utrustning)

- Före användning, kontrollera alltid att nätspänningen är densamma som spänningen på utrustningens märkplåt.
- Använd inte en förlängningssladd.
- Håll strömkabeln borta från värme, olja och vassa kanter.
- Ändra inte strömkabeln eller kontakten.
- Använd inte utrustningen om strömkabeln eller kontakten är trasig eller skadad. Om strömkabeln eller kontakten är trasig eller skadad, kontakta din återförsäljare.
- Rulla alltid ut strömkabeln helt.

- Dra inte strömkabeln under utrustningen. Dra inte strömkabeln under en matta. Placera inte några föremål på strömkabeln.
- Kontrollera att strömkabeln inte hänger över en bordskant. Kontrollera att strömkabeln inte kan komma åt avsiktligt eller snubblas över.
- Lämna inte utrustningen obevakad med kontakten instoppad i vägguttaget.
- Dra inte i strömkabeln för att avlägsna kontakten från vägguttaget.
- Avlägsna stickkontakten från vägguttaget när utrustningen inte används, innan den monteras eller monteras isär och innan den rengörs eller underhålls.

### ⚠ VARNING

- Om strömspänningen fluktuerar med 10 procent (10%) eller mer, kan detta ha en negativ inverkan på löparbandets funktion. Om löparbandet används under sådana förhållanden upphör garantin att gälla. Om du misstänker att spänningen är för lång, kontakta din elleverantör eller en behörig elektriker för att utföra en kontroll.

### ⚠ VARNING

- Lägg sladden för strömanslutningen så att den inte kankomma i kontakt med löparbandets rörliga delar inklusive liftmekanismen och transporthjulen.

### Jordningsföreskrifter

Den här produkten ska kopplas till ett jordat uttag. Om ett fel skulle uppstå i löparbandets elsystem skyddar jordningen mot elektrisk chock. Den här produkten levereras med en jordad sladd och stickpropp. Stickproppen ska anslutas till ett enligt korrekt jordat uttag som installerats enligt gällande regler och föreskrifter.

### ⚠ VARNING

- Fel i apparatens jordanslutningen innebär en ökad risk för elektrisk chock. Om du är osäker på anslutningen bör du kontakta en elektriker eller servicemontör för att kontrollera att apparaten är ordentligt jordad. Försök inte sätta i en stickpropp som inte passar i uttaget, anlita en elektriker för installation av passande vägguttag.

## Monteringsanvisningar

### Beskrivning illustration A

På illustrationen kan du se hur träningsredskapet ska se ut efter att monteringen har slutförts.

Du kan använda illustrationen som referens under monteringen, men följ alltid stegen i monteringsinstruktionerna i rätt ordning.

### Beskrivning illustration B

På illustrationen kan du se vilka komponenter och delar som du ska hitta när du packar upp produkten.

### ⚠ OBS!

- Små delar kan ligga gömda/vara nedpackade i inhålls utrymmen i produktskyddet av polystyren.
- Om någon del saknas, kontakta din återförsäljare.

### Beskrivning illustration C

På illustrationen visas de monteringsdelar som följer med produkten. Monteringsdelarna omfattar bultar, brickor, skruvar, muttrar etc. och de verktyg du behöver för att kunna montera träningsredskapet korrekt.



## Beskrivning illustration D

På illustrationerna visas i rätt ordning hur träningsredskapet ska monteras på bästa sätt.

### ⚠ OBS!

- Delnumren som visas vid monteringsinstruktionerna överensstämmer med den reservdelsritning som finns i onlineversionen av hela bruksanvisningen.

### ⚠ VARNING

- Montera utrustningen i angiven ordning.
- Var två om att bära och förflytta utrustningen.

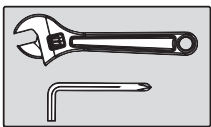
### ⚠ OBS.

- Placera utrustningen på en stabil och jämn yta.
- Placera utrustningen på en skyddande grund för att förhindra att golvet skadas.
- Lämna åtminstone 100 cm fritt runt utrustningen.
- Illustrationerna visar det korrekta sättet att montera utrustningen.

### ⚠ ANMÄRKNING

- Spara verktygen som följer med denna produkt när monteringen är klar så att du kan använda dem för framtida servicearbeten.

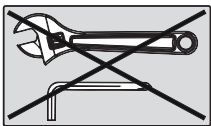
## Åtdragning av skruvar och muttrar



Dra åt alla skruvar och muttrar ordentligt efter att alla komponenter har monterats i nuvarande och tidigare steg.

### ⚠ OBS

- Dra inte åt en komponent som har en rörlig funktion för hårt.
- Se till att alla vridbara komponenter kan röra sig fritt.



Dra inte åt alla skruvar och muttrar i detta steg.

## Ytterligare information

### Bortskaffande av förpackning

Riktlinjer från myndigheter uppmanar att vi minskar mängden avfall som placeras i deponier. Vi ber dig därför att bortskaffa allt förpackningsavfall på ett ansvarsfullt sätt på allmänna återvinningscentraler.

### Bortskaffande av uttjänt redskap

Vi på Tunturi hoppas att du får många års trevlig användning av ditt träningsredskap. Men det kommer en tid när ditt träningsredskap är uttjänt. Enligt den europeiska WEEE-lagstiftningen, ansvarar du för korrekt bortskaffande av ditt träningsredskap på en allmän återvinningsanläggning.

## Fritt träningsutrymme (Fig. D-0)

### Framsidan av utrustningen

Se till så att det finns minst 30 cm fritt utrymme framför utrustningen.

- Det fria träningsutrymmet för denna del kan delas med annan utrustning av samma slag genom att placera dem vända mot varandra.

### Sidan av utrustningen.

Se till så att det finns minst 60 cm fritt utrymme på varje sida av utrustningen.

- Det fria träningsutrymmet för denna del kan delas med annan utrustning av samma slag genom att placera dem vända mot varandra.

### Baksidan av utrustningen

Se till så att det finns minst 200 cm fritt utrymme bakom utrustningen.

- Det fria träningsutrymmet för denna del kan inte delas med annan utrustning av samma slag. Det extra lediga utrymmet som krävs beror på orienteringen av utrustningarna och bör vara summan av båda värdena.

## Träning

Träningen måste vara lagom lätt, men hålla på länge. Aerobisk träning är till för att förbättra kroppens maximala syreupptag, vilket förbättrar uthålligheten och konditionen. Du ska svettas, men du ska inte bli andfådd under träningen. För att uppnå och behålla en grundkondition, träna åtminstone tre gånger i veckan, 30 minuter åt gången. Öka antalet träningspass för att förbättra din kondition. Det är bra att kombinera regelbunden träning med hälsosam kost. En person som har bestämt sig för att banta bör träna dagligen, 30 minuter eller mindre till en början och sedan öka den dagliga träningstiden till en timme. Börja din träning i låg hastighet och med lågt motstånd för att förhindra att hjärtkärlsystemet utsätts för kraftig belastning. När konditionen förbättras, kan hastigheten och motståndet ökas gradvis. Din tränings effektivitet kan mätas genom att kontrollera din hjärtfrekvens och din puls.

## Övning Instruktioner

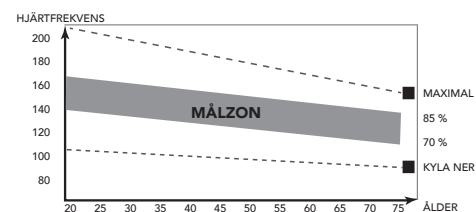
Användningen av ditt träningsredskap kommer att ge dig många fördelar; det kommer att förbättra din fysiska kondition, tona musklerna och tillsammans med en kalorikontrollerad diet hjälpa dig att gå ned i vikt.

### Uppvärmningsfasen

Denna fas får blodet att börja pumpa runt i kroppen och förbereder musklerna på aktivitet. Den minskar även risken för kramp och muskelskada. Det är tillrådligt att göra några stretchövningar som visas nedan. Varje stretchövning ska hållas i ungefär 30 sekunder. Tvinga eller tryck inte in musklerna i en stretchövning. Om det gör ont, SLUTA

### Träningsfasen

Detta är fasen där du jobbar. Efter regelbunden användning, kommer musklerna i dina ben att bli mer flexibla. I denna fas är det mycket viktigt att bibehålla ett jämnt tempo från början till slut. Ansträngningsnivån ska vara tillräcklig för att höja din puls till målzonen som visas i nedanstående figur



Denna fas bör pågå i minst 12 minuter, även om de flesta börjar med ungefär 15-20 minuter.

### Nedvarningsfasen

Under denna fas får ditt kardiovaskulära system och dina muskler varva ned.

Den är en upprepning av uppvärmningsövningen, t.ex. minska ditt tempo, fortsätt i ca 5 minuter. Stretchövningarna ska nu upprepas. Kom ihåg att inte tvinga eller trycka in musklerna i stretchövningen. När du blir mer vältränad, kan du träna längre och hårdare. Vi rekommenderar att träna minst tre gånger i veckan, och, om möjligt, fördela dina träningsstillfällen jämnt under hela veckan.

### Muskeltoning

För att tona musklerna när du använder träningsredskapet, måste du ställa in en ganska hög belastning. Detta belastar benmusklerna mer och kan innebära att du inte kan träna så länge som du vill. Om du även försöker förbättra din kondition, måste du ändra ditt träningsprogram. Du bör träna som vanligt under uppvärmnings- och nedvarvningsfaserna, men mot slutet av träningsfasen kan du öka belastningen så att dina ben får jobba hårdare. Du måste minska hastigheten för att hålla pulsen i målzonen.

### Viktminskning

Den viktigaste faktorn här är hur mycket du anstränger dig. Ju hårdare och längre du tränar, desto fler kalorier bränner du. Detta är i princip detsamma som om du tränade för att förbättra din kondition, skillnaden är målet.

### Hjärtfrekvens

#### Pulsmätning (handpulssensorer)

Pulsen mäts av sensorer i handtagen när användaren vidrör båda sensorerna samtidigt. Bäst pulsmätning fås när skinnet är en aning fuktigt och i ständig kontakt med handpulssensorerna. Om skinnet är för torrt eller för fuktigt kan pulsmätningen bli mindre exakt.

#### ⚠ ANMÄRKNING

- Använd inte handpulssensorer tillsammans med ett pulsband.
- Om du har ställt in en begränsning av hjärtfrekvensen för din träning, kommer ett larm att ljuda när den överskrids.

#### Hjärtfrekvensmätning (pulsbälte)

#### ⚠ ANMÄRKNING

- Ett bröstband är inte standard med denna tränare. När du gillar att använda ett trådlöst bröstband måste du köpa detta som tillbehör.

Den mest exakta mätningen av hjärtfrekvensen uppnås med ett pulsband. Hjärtfrekvensen mäts av en hjärtfrekvensmottagare i kombination med ett pulsband med sändare. Korrekt pulsmätning kräver att elektroderna på sändarbandet är en aning fuktiga och i ständig kontakt med skinnet. Om elektroderna är för torra eller för fuktiga kan pulsmätningen bli mindre exakt.

#### ⚠ VARNING

- Kontakta en läkare innan du använder ett pulsband om du har pacemaker.

#### ⚠ OBS.

- Om det finns flera enheter för hjärtfrekvensmätning bredvid arandra, kontrollera att avståndet mellan dem är minst 2 meter.
- Om det bara finns en hjärtfrekvensmottagare och flera hjärtfrekvenssändare, kontrollera att bara en person med sändare är inom mottagningsområdet.

#### ⚠ ANMÄRKNING

- Använd inte ett pulsband tillsammans med handpulssensorer.
- Bär alltid pulsbandet under dina kläder, i direktkontakt med huden. Bär inte pulsbandet utanpå kläderna. Om du bär pulsbandet utanpå kläderna kommer det inte att bli någon signal.
- Om du har ställt in en begränsning av hjärtfrekvensen för din träning, kommer ett larm att ljuda när den överskrids.

- Sändaren sänder hjärtfrekvensen till panelen upp till ett avstånd på 1,5 meter. Om elektroderna inte är fuktiga, kommer inte hjärtfrekvensen att visas på displayen.
- Vissa klädfibrer (t.ex. polyester eller polyamid) skapar statisk elektricitet som kan förhindra en korrekt mätning av hjärtfrekvensen.
- Mobiltelefoner, tv-apparater och andra elektriska apparater skapar ett elektromagnetiskt fält som kan förhindra en korrekt mätning av hjärtfrekvensen.

### Hjärtfrekvensmätning Maximal hjärtfrekvens (under träning)

Den maximala hjärtfrekvensen är den högsta hjärtfrekvens en person säkert kan få vid träning. Följande formel används för att beräkna den genomsnittliga maximala hjärtfrekvensen:  $220 - \text{ÅLDER}$ . Den maximala hjärtfrekvensen varierar från person till person.

#### ⚠ VARNING

- Kontrollera att du inte överskrider din maximala hjärtfrekvens under din träning. Kontakta en läkare om du tillhör en riskgrupp.

### Nybjörjarnivå 50-60% av den maximala hjärtfrekvensen

Passar nybjörjare, viktvaktare, konvalescenter och personer som inte har tränat på länge. Träna åtminstone tre gånger i veckan, 30 minuter åt gången.

### Avanceradnivå 60-70% av den maximala hjärtfrekvensen

Passar personer som vill förbättra och underhålla konditionen. Träna åtminstone tre gånger i veckan, 30 minuter åt gången.

### Expert 70-80% av den maximala hjärtfrekvensen

Passar de mest vältränade, som är vana vid långa och tunga träningspass.

## Användning

### Huvudströmbrytare (fig. E-2A)

Utrustningen är utrustad med en huvudströmbrytare för att helt stänga av utrustningen.

#### Starta utrustningen:

- Anslut stickkontakten till utrustningen.
- Anslut stickkontakten till vägguttaget.
- Sätt huvudströmbrytaren i läge "på" (ON).

#### Stoppa utrustningen:

- Sätt huvudströmbrytaren i läge "av" (OFF).
- Avlägsna stickkontakten från vägguttaget.
- Avlägsna stickkontakten från utrustningen.

### Säkerhetsnyckel (Fig F-4)

Utrustningen är försedd med en säkerhetsnyckel som måste sättas in ordentligt i konsolen för att starta utrustningen. Om säkerhetsnyckeln dras ut delvis kommer den att aktivera nödläget och stoppa utrustningen omedelbart.

Säkerhetsnyckeln kommer även att tryckas ur sitt läge när den röda nödknappen trycks in.

- Sätt in säkerhetsnyckeln i konsolen genom att trycka den inåt.
- Se till att säkerhetsnyckelns klämma sitter ordentligt på dina kläder. Se till att klämman sitter fast ordentligt i dina kläder så att den kan dra ut säkerhetsnyckeln vid behov.

**OBS**

- Konsolen kommer att visa en rullande text som läser: "PUT THE SAFETY KEY ON" (VRID SÄKERHETSNYCKELN), och kommer även att ha vertikala rullningslinjer på huvudskärmen när säkerhetsnyckeln inte är i (rätt) läge.

**Brytare (fig. F-2B)**

Utrustningen är utrustad med en brytare som bryter strömmen när den elektriska belastningen överstiger den maximala kapaciteten. När detta inträffar måste brytaren tryckas in.

**! VARNING**

- Innan du trycker på brytaren, avlägsna stickkontakten från utrustningen.

Om utrustningen stängs av, gör följande för att starta om utrustningen:

- Avlägsna stickkontakten från utrustningen.
- Tryck på brytaren för att starta om utrustningen.
- Anslut stickkontakten till utrustningen.

**OBS ANMÄRKNING**

- Vissa kretsbrytare som används i hushåll är inte lämpade för höga spänningstoppar, vilka kan förekomma när man slår på löparbandet och även vid normal användning. Om löparbandet gör att säkringen går hemma hos dig (trots att rätt spänning används och löparbandet är den enda apparaten i gruppen) och löparbandets säkring inte bryter, måste du byta ut säkringen till en typ som klarar större spänningstoppar. Detta är inte en defekt som täcks av garantin. Detta är ett förhållande som tillverkaren inte kan råda över.

**Justera stödfötterna**

Utrustningen är utrustad med justerbara stödfötter. Om utrustningen känns instabil, ranglig eller inte är korrekt planad, kan dessa stödfötter justeras för att göra nödvändiga korrigeringar.

- Vrid stödfötterna inåt/utåt efter behov för att placera utrustningen i ett stabilt och så plant läge som möjligt.
- Dra åt låsmuttrarna\* för att låsa stödfötterna.

**💡 SNABBTIPS**

- Det är lättare att göra detta med två personer, så att en person kan luta utrustningen, medan den andra gör den nödvändiga justeringen.

**OBS**

- Utrustningen är mest stabil när den är så nära golvet som möjligt. Börja därför att plana ut utrustningen genom att vrida alla stödfötter helt inåt innan du vrider utåt de stödfötter som krävs för att stabilisera och plana ut utrustningen.

**Core-bar**

Corebar bör ställas in till förvaringsläge för löpbandets gång-/löpfunktion och funktionsläge för slädfunktionerna.

**Fäst corebar innan du springer (bild F-1)****OBS**

- Lossa och plocka bort bungee-motståndsbånd innan du sätter corebar i förvaringsläge.

- Dra i vredet och vrid moturs tills vredet sänks automatiskt.
- Stå på sidoskenorna och tryck corebar framåt tills vredet låser den på plats.  
Det krävs medelstor styrka för att trycka corebar framåt

**Frigör corebar för slädfunktionen (bild F-2)****OBS**

- Se till att corebar är fri från tillbehör innan den frigörs.

- Dra vredet uppåt och vrid medurs för att hålla den i upprest läge.
- Corebar går in i driftläget automatiskt genom att röra sig bakåt.

**Bungee-motståndsbånd**

Bungee-motståndsbånden kan användas för att öka corebar-motståndet i slädlägets funktioner.

Haka fast det ena eller båda bungee-motståndsbånden på undersidan av corebar för att öka motståndet. (Fig. F-3)

**Panelen (fig E-1)****! OBS**

- Skydda panelen från direkt solljus.
- Torka av panelens yta när den är täckt av svett droppar.
- Luta dig inte mot panelen.
- Vidrör endast displayen med din fingertopp. Var noga med att inte dina naglar eller vassa föremål vidrör displayen.

**OBS ANMÄRKNING**

- Panelen övergår till viloläge när utrustningen inte har använts på 4 minuter.

**Knappar****Se (bild E-1)****! VARNING**

- Vissa knappar har olika funktioner beroende på löpbandets funktionsinställningar.
- Information om huvudknappens funktion gäller för funktionerna när löpbandet är i normalt driftläge.
- Knappar med olika funktioner i andra funktionslägen nämns separat i avsnitten:
  - Specifika knappfunktioner i slädläge.
  - Specifika knappfunktioner i hastighetsläge.
  - Specifika knappfunktioner i bakåtläge.

**Emergency (Nödstopp)**

- Tryck på den röda nödstoppknappen för att aktivera nödstoppet och snabbt stoppa bandet.
- När du trycker på nödstoppknappen skjuts säkerhetsnyckeln ut en aning, vilket säkerställer att löpbandet inte startas om av misstag.
- Tryck tillbaka säkerhetsnyckeln i spåret för att inaktivera nödstoppet.

**Enter**

Bekräfta inställda data i programmeringsläget.

**Minus**

Minska värdet i programmeringsläget.

**Plus**

Öka värdet i programmeringsläget.

### Start (Starta)

I stoppläge, tryck på knappen för att starta träningen.  
I pausläge, tryck på knappen för att fortsätta träningen.

### Return (Återgå)

Tryck på knappen för att gå tillbaka till inställningsmenyn.

### Stop/Paus (Stoppa/Pausa)

I träningsläge, tryck på knappen för att ställa löpbandet i pausläge.  
I pausläge, tryck på knappen för att ställa löpbandet i stoppläge.

### Snabbknappar för slädprogram

I stoppläge, tryck på knappen för att välja ett slädprogram och öppna programinställningsmenyn.  
Slädprogram är: Målvstånd, Måltid, Manuell, Anpassad, Styrketest

### Snabbknappar för löpbandsprogram

I stoppläge, tryck på knappen för att välja ett löpbandsprogram och öppna programinställningsmenyn.  
Löpbandsprogram är: Gränsläge, P1–P5, P6–P10, Användare, HRC, Målträning, Gå baklänges

### Knappar på vänster stång: Stopp

Funktionen är densamma som för "Stopp/Paus"-knappen på kontrollpanelen.

### Knappar på vänster stång: Minskad lutning

- Minskar lutningsgraden med (0~15 -1).
- Ändra värden i programmeringsläget.

### Knappar på vänster stång: Ökad lutning

- Ökar lutningsgraden med (0~15 +1).
- Ändra värden i programmeringsläget.

### Knappar på vänster stång: Snabbknappar för lutning

- Snabbknapparna för lutning är inställda på 2, 4, 6, 8, 10, 12
- Exempel när löpband används i löpbandsläge.  
Om du trycker på snabbknapp 6 så ändras lutningen till 6 oavsett innevarande inställning.

### Knappar på höger stång: Hastighet/Släde – Starta

Funktionen är densamma som för "Start"-knappen på kontrollpanelen.

### Knappar på höger stång: Hastighet/Släde – Minus

- Minskar hastigheten (0,5~20,0 km/t).
- Tryck en gång för att minska hastigheten med 0,1 km/t.
- Håll knappen intryckt i två sekunder för att minska hastigheten snabbare.
- Ändra värden i programmeringsläget.

### Knappar på höger stång: Hastighet/Släde – Plus

- Ökar hastigheten (0,5~20,0 km/t).
- Tryck en gång för att öka hastigheten med 0,1 km/t.
- Håll knappen intryckt i två sekunder för att öka hastigheten snabbare.
- Ändra värden i programmeringsläget.

### Knappar på höger stång: Hastighet/Släde – Snabbknappar

- "Hastighet/Släde"-knappar är inställda på 3, 6, 9, 12, 15, 18.
- Om du trycker på snabbknapp 9 så ändras hastigheten till 9 km/t oavsett innevarande inställning.

### Specifika knappfunktioner i slädläge

#### Knappar på höger stång: Hastighet/Släde – Minus

- Minskar slädens motstånd (1~100 %).
- Tryck en gång för att minska motståndet med 1 %.
- Håll knappen intryckt i två sekunder för att minska motståndet snabbare.
- Bläddra i programmen och ändra värden i programmeringsläget.

#### Knappar på höger stång: Hastighet/Släde – Plus

- Ökar slädens motstånd (1~100 %).
- Tryck en gång för att öka motståndet med 1 %.
- Håll knappen intryckt i två sekunder för att öka motståndet snabbare.
- Bläddra i programmen och ändra värden i programmeringsläget.

#### Knappar på höger stång: Hastighet/Släde – Snabbknappar

När löpbandet är inställt på slädläge är snabbknapparna programmerade att representera

Snabbknapp 3	15 %	Snabbknapp 12	60 %
Snabbknapp 6	30 %	Snabbknapp 15	75 %
Snabbknapp 9	45 %	Snabbknapp 18	90 %

- Tryck på en snabbknapp för att omedelbart ställa in motståndet till startmotståndet.
- Exempel: När löpbandet används i slädläge och snabbknapp 9 trycks in, ändras motståndet genast till 45 %.

### Specifika knappfunktioner i hastighetsläge

#### Knappar på höger stång: Hastighet/Släde – Minus

- Minskar hastigheten (0,1~2,5 km/t).
- Tryck en gång för att minska hastigheten med 0,1 km/t.
- Håll knappen intryckt i två sekunder för att minska hastigheten snabbare.

#### Knappar på höger stång: Hastighet/Släde – Plus

- Ökar hastigheten (0,1~2,5 km/t).
- Tryck en gång för att öka hastigheten med 0,1 km/t.
- Håll knappen intryckt i två sekunder för att öka hastigheten snabbare.

#### Knappar på höger stång: Hastighet/släde – Snabbknappar

När löpbandet är inställt på hastighetsläge är snabbknapparna programmerade att representera

Snabbknapp 3	0,6	Snabbknapp 12	1,5
Snabbknapp 6	0,9	Snabbknapp 15	1,8
Snabbknapp 9	1,2	Snabbknapp 18	2,1

- Tryck på en snabbknapp för att omedelbart ställa in hastigheten till starthastigheten
- Exempel: När löpbandet används i hastighetsläget, tryck på snabbknapp 9 för att ändra valfri hastighet till 1,2 km/t.

### Specifika knappfunktioner i bakåtläge

#### Knappar på höger stång: Hastighet/Släde – Minus

- Minskar hastigheten (0,1~2,5 km/t).
- Tryck en gång för att minska hastigheten med 0,1 km/t.
- Håll knappen intryckt i två sekunder för att minska hastigheten snabbare.

#### Knappar på höger stång: Hastighet/Släde – Plus

- Ökar hastigheten (0,1~2,5 km/t).
- Tryck en gång för att öka hastigheten med 0,1 km/t.
- Håll knappen intryckt i två sekunder för att öka hastigheten snabbare.

**Knappar på höger stång: Hastighet/Släde – Snabbknappar**

När löpbandet är inställt på bakåtläge är snabbknapparna programmerade att representera

Snabbknapp 3	0,6	Snabbknapp 12	1,5
Snabbknapp 6	0,9	Snabbknapp 15	1,8
Snabbknapp 9	1,2	Snabbknapp 18	2,1

- Tryck på en snabbknapp för att omedelbart ställa in hastigheten till starthastigheten
- Exempel: När löpbandet används i bakåtläge, tryck på snabbknapp 9 för att ändra valfri hastighet till 1,2 km/t.

**Förklaring av skärmalternativ****Punktmatris**

Punktmatrisen visar programprofilen i två sektioner.

- De första 10 raderna representerar lutningsinställningen
- De nästa 10 raderna representerar hastighetsinställningen i löpbandsläge.
- Slädens intensitet i slädläge.
- Visar parameterdata i programmeringsläge.

**Lutning**

- Visar löpbandets faktiska lutning i träningsläge.
- Visar mållutning i programmeringsläge.

**Hastighet/Släde**

Hastighet/Släde är ett delat fönster med olika funktioner beroende på löpbandsläget.

När löpbandet är i funktionellt läge (begränsar även hastigheten framåt och bakåt)

- Visar löpbandets faktiska hastighet i km/t.
- Visar målhastighet i programmeringsläge.

När löpbandet är i slädläge.

- Visar löpbandets faktiska motstånd i % i slädläge.
- Visar målhastighet i programmeringsläget.

**Heart Rate (Puls)**

- Visar uppmätt puls i träningsläge, eller "P" när pulsen inte mäts.

**Ticker Bar**

Ticker Bar visar information eller instruktioner för korrekt drift när löpbandet är i viloläge.

**Ticker Bar: Program**

- Visar programval i programmeringsläge.
- Visar "-- --" i träningsläge.

**Ticker Bar – Cal/Watt (Kal./Watt)**

- Visar förbrukade kalorier i träningsläge.
- Visar återstående kalorier vid träning i målkaloriläge.
- Visar målkalorier i programmeringsläge.
- Visar watt i slädläge.

**Ticker Bar – Distance (Avstånd)**

- Visar löpsträcka i träningsläge.
- Visar återstående löpsträcka vid träning i målavståndsläge.
- Visar målavstånd i programmeringsläge.

**Ticker Bar – Time (Tid)**

- Visar löptid i träningsläge.
- Visar återstående löptid vid träning i måltidsläge.
- Visar måltiden i programmeringsläge.

**Ticker Bar – User (Användare)**

- Visar användarval i programmeringsläge.
- Visar "-- --" i träningsläge.

**Förklaring av ljudsignaler**

Kontrollpanelen är utformad för att meddela användaren med en ljudsignal.

Detta för att göra användaren medveten att något förändrats för en säkrare träning.

Kontrollpanelen meddelar användaren när:

- En knapp trycks in.
- Användaren når ett förinställt mål.
- När en hastighets- eller lutningsändring har gjorts baserad på det valda programmet.

**USB-funktion**

Användaren kan ansluta sin enhet för att ladda under träningen.

Spänning/ström: 5 VDC/1,0 Amp

**Kontrollpanelen****Quick start (Snabbstart)**

- Tryck på knappen "Start/Paus" för att starta ditt träningspass utan några förinställda inställningar.
- Löpbandet startar med en lägsta hastighet på 0,8 km/t och behåller den aktuella inställningen för lutningen.
- Justera hastighet/lutning manuellt när som helst för att ändra ditt träningspass och stoppa/pausa när du vill.

**Avsluta eller pausa ditt träningspass**

- Du kan när som helst pausa träningspasset genom att trycka en gång på knappen "Starta/Pausa". "PAUS" visas på skärmen när löpbandet är i pausläge. Maximal paustid är 4,30 minuter.
- Tryck på knappen "Starta/Pausa" för att återuppta träningen när löpbandet är i pausläge.
- Tryck på "STOPP" en gång för att pausa träningen.
- Tryck på "STOPP" två gånger för att avsluta träningen och ställa in konsolen på läget "Återställ/programval".

**Slädprogram**

För att ställa in ett slädprogram måste löpbandet vara i läget "Återställ/programval".

Tryck på "Stopp"-knappen två gånger för att ställa löpbandet i återställningsläge.

**OBS!**

- Kontrollpanelen kommer att lagra din senast använda favoritinställning och använder denna som standard i programmeringsläge.

**Slädens funktion**

När du använder löpbandet i slädläge kommer löpbandet att ändra gång- eller löpträningen till ett push-träningspass.

I detta läge måste användaren sätta bältet i rörelse med tryckkraft, där bältets motstånd kan ökas i procent för att intensifiera träningspasset.

## Målavstånd

- Tryck på målavståndsknappen för att välja målavståndsprogram.
- Som standard visas avståndet "50" på displayen, eller det senaste inställda målet eftersom programmet lagrar det senaste inställda avståndet som önskat avstånd.
- Använd plus- eller minusknapparna för att ställa in önskat mål. ±100 meter. Intervall: 50~9 000 meter
- Tryck på "Start" för att räkna ner och börja ditt träningspass genom att trycka löpbältet i rörelse.
- Plus- eller minusknapparna för "Hastighet/Släde" kan också användas för att höja eller sänka motståndet
- Träningspasset avbryts när du har nått ditt förinställda målavstånd.

## Måltid

- Tryck på måltidsknappen för att välja måltidsprogram.
- Som standard visas "30 sek." på displayen, eller det senaste inställda målet eftersom programmet lagrar den senaste inställda tiden som önskad tid.
- Använd plus- och minusknapparna för att ställa in önskat mål. ±5 sek. Intervall: 5~990 sek.
- Tryck på "Start" för att räkna ner och börja ditt träningspass genom att trycka löpbältet i rörelse.
- Plus- eller minusknapparna för "Hastighet/Släde" kan också användas för att höja eller sänka motståndet under träning.
- Träningspasset avslutas när du har nått din förinställda måltid.

## Manual (Manuell)

- Tryck på knappen "Manuell" för att välja manuellt program.
- Som standard visas "10 %" på displayen som förinställt tidsmål.
- Använd plus- och minusknapparna för att ställa in önskat startmotstånd för ditt träningspass. ± 1 % Intervall: 1~100 %.
- Tryck på "Start" för att räkna ner och börja ditt träningspass genom att trycka löpbältet i rörelse.
- Plus- eller minusknapparna för "Hastighet/Släde" kan också användas för att höja eller sänka motståndet under träning.
- Träningspasset avbryts när användaren stoppar träningen manuellt.

## Custom (Anpassad)

Det finns fem anpassade program tillgängliga: C1, C2, C3, C4 och C5. Dessa program kan konfigureras fritt enligt användarnas önskemål.

- Tryck på knappen Anpassad för att välja anpassat program.
- Som standard visas "C1" på displayen, använd "Anpassad"-knapparna för att välja C1~C5 och tryck på "Enter" för att bekräfta ditt val.
- Ställ in önskat antal steg i din profil. Displayen visar standard för valt program. Använd plus- eller minusknapparna för att ställa in antalet steg (intervall: 2~12 [±19], och tryck på Enter för att bekräfta.
- Ställ in "intervallet" som representerar den aktiva slädens funktionstid för vart och ett av stegen. Som standard visas "15" (tid i sekunder) i pulsdisplayen. Använd plus- eller minusknapparna för att ställa in vilotiden i sekunder (intervall: 15~120 (±15), och tryck på Enter för att bekräfta.
- Ställ in vilotid som paustid mellan slädens träningssteg. Som standard visas "15" (tid i sekunder) i pulsdisplayen. Använd plus- eller minusknapparna för att ställa in vilotiden i sekunder (intervall: 15~120 [±15]), och tryck på Enter för att bekräfta.

- Ställ in motståndsnivån för träningsläget. Som standard visas "10 %" i displayen. Använd plus- eller minusknapparna under "Hastighet/Släde" för att ställa in önskad motståndsnivå för den första delen av ditt anpassade träningspass. Intervall: 1~100 % (±1) Ställ in lutningsnivån och tryck på Enter för att bekräfta. Som standard visas "0" i displayen (tid i sekunder). Använd plus- eller minusknapparna under "Hastighet/Släde" för att ställa in vilotiden i sekunder. Använd plus- eller minusknapparna för att ställa in önskad lutningsnivå för den första delen av ditt anpassade träningspass. Intervall: 0~15 (±1).
- Upprepa dessa steg för att göra inställningarna för alla steg i ditt anpassade träningspass.
- Tryck på "Start" för att starta ditt träningspass.

## OBS!

- Inställningarna sparas automatiskt.
- Du kan ändra inställningar genom att välja samma program och göra önskade ändringar.

## Styrketest

Styrketestprogrammet är satt upp för att mäta användarens maximala styrka.

- Tryck på "Styrketest"-knappen för att välja styrketestprogram.
- Det förinställda tidsmålet visas på displayen.
- Använd plus- eller minusknapparna för att ställa in önskat mål. ±30 sek. Intervall: 30~120 sek.
- Tryck på "Start" för att starta ditt träningspass. Tränaren kommer att generera 100 % motstånd, där användaren ska göra sitt bästa för att sätta löpbältet i rörelse så snabbt som hen kan. Under testet kommer realtidsparametrarna att visas i displayen.
- Efter att ha uppnått den inställda måltiden visas testresultatet i totalt avstånd och genomsnittligt motstånd beräknat över den totala testtiden.

## Löpbandsprogram

När du använder löpbandet i löpbandsläge använder löpbandet den interna motorn för att driva löpbandets hastighet. Detta är standardfunktionen för ett konventionellt löpband.

För att ställa in ett löpbandsprogram måste löpbandet vara i läget "Återställ/programval". Ställ in löpbandet i återställningsläge genom att trycka på "Stopp"-knappen två gånger

## OBS!

- Konsolen lagrar din senast använda inställning som önskad inställning och kommer att använda denna som standard i programmeringsläge.

## Hastighetsläge

- Tryck på "Hastighet"-knappen för att välja hastighetsprogram.
- Tryck på "Start" för att starta ditt träningspass.
- Löpbandet startar med hastigheten 0,1 km/t.
- Plus- eller minusknapparna för "Hastighet/Släde" kan också användas för att när som helst ändra träningshastigheten. ± 0,1 km/t Intervall: 0,1~2,5 km/t.
- Träningspasset stoppas när användaren stoppar träningen manuellt.

## Program P1–P5

Det finns tio förprogrammerade program.

- P1~P3 är hastighetsstyrda program.
- P4~P5 är kombinationsstyrda program för hastighet och lutning.
- Se bild P1–P5 för att lära dig innehållet i löpbandsprogrammet P1–P5.
- Tryck på knappen "P1–P5" för att välja program.
- Använd "P1-P5"-knapparna för att välja önskat program. Som standardprogram visas "P1" i displayen
- Använd "P1–P5"-knapparna för att välja önskat program: P1~P5, och tryck på Enter för att bekräfta.
- Använd plus- eller minusknapparna för att välja önskad programnivå. Som standard visas ".L1" i displayen.
- Använd plus- eller minusknapparna för att välja önskad nivå: L1~L4, och tryck på Enter för att bekräfta.
- Tryck på "Start" för att starta ditt träningspass.
- Träningen stoppas när programmets slut nås.

### Egenskaper för program P1–P5

- Programmets längd är inställd på 36 minuter. Varje minut växlar profilen till nästa programsegment och börjar om igen när slutet har nåtts. Du kan när som helst ändra hastighet och lutning. Programmet hämtar sin profil automatiskt när det växlar till nästa steg.
- Träningen stoppar när programmets slut nås.

## Program P6–P10

Det finns tio förprogrammerade program.

- P6~P10 är lutningsstyrda program.
- Se bild P6~P10 för att lära dig innehållet i löpbandsprogrammet P6~P10.
- Tryck på "P6–P10"-knappen för att välja program.
- Använd plus- eller minusknapparna för att välja önskat program. Som standard visas "P1" i displayen
- Använd plus- eller minusknapparna för att välja önskat program: P6~P10 och tryck på Enter för att bekräfta.
- Använd plus- eller minusknapparna för att välja önskad programnivå. Som standard visas ".L1" i displayen.
- Använd plus- eller minusknapparna för att välja önskad nivå: L1~L4 och tryck på Enter för att bekräfta.
- Tryck på "Start" för att starta ditt träningspass.

### Egenskaper för program P6–P8

- Programmets längd är inställd på 36 minuter. Varje minut växlar profilen till nästa programsegment och börjar om igen när slutet nås. Du kan när som helst ändra hastighet och lutning. Programmet hämtar sin profil automatiskt när det växlar till nästa steg.
- Träningen stoppar när programmets slut nås.

### Egenskaper för program P9–P10

- Programmets längd är satt till 5 km för P9 och 10 km för P10. Varje 200 meter flyttar profilen till nästa programsegment och börjar om igen när slutet nås. Du kan när som helst ändra hastighet och lutning.
- Träningen stoppar när programmets slut nås.

## User (Användare)

- Tryck på "Användare" för att välja/konfigurera ett användarprogram. Som standard visas "U1" i displayen.
- Använd användarknapparna för att välja önskad användare: U1~U5 och tryck på Enter för att bekräfta.

### Ställa in användardata

- Ställ in ditt kön på displayen: (man) eller (kvinna). Använd plus- eller minusknapparna för att välja rätt kön och tryck på Enter för att bekräfta.
- Ställ in din ålder på displayen. Som standard visas "30" eller den senaste inställda åldern i displayen. Använd plus- eller minusknapparna för att ställa in rätt ålder  $\pm 1$ , intervall: 15~80 år, och tryck på Enter för att bekräfta.
- Ställ in din kroppslängd på displayen. Som standard visas "170 (cm)" eller den senast inställda kroppslängden i displayen. Använd plus- eller minusknapparna för att ställa in rätt längd  $\pm 1$ , intervall: 100~220 (cm), och tryck på Enter för att bekräfta.
- Ställ in din kroppsvikt i displayen. Som standard visas "75 (kg)" eller den senaste inställda vikten i displayen. Använd plus- eller minusknapparna för att ställa in rätt kroppsvikt  $\pm 1$ , intervall: 30~150 (kg), och tryck på Enter för att bekräfta.
- I pulsfontret visas personliga BMI-indexet baserat på de inställda användarparametrarna.

### Ställa in användarprogramprofil

- Tryck på "Enter" för att öppna inställningsmenyn för din användarprogramprofil.
- Pulsdisplayen visar "1" för att informera dig om att ställa in hastighet och lutning för det första steget av tolv i din profil.
- Ställ in önskad hastighet för det första segmentet av användarprogrammet genom att använda upp- och nerknapparna för hastighet. Ställ in önskad lutning för det första segmentet i användarprogrammet genom att använda upp- och nerknapparna för lutning. Bekräfta genom att trycka på "Enter".
- Pulsdisplayen visar "2"
- Ställ in alla tolv segment i din programprofil.
- Displayen visar tidsmålet "35" (min.), använd plus- eller minusknapparna för att ändra tidsmålet.  $\pm 1$ , intervall: 1~99, och tryck på "Start" för att starta träningen.

## HRC (Hjärtfrekvens)

### OBS!

- Föreslagen hjärtfrekvens baseras på användarens maximala hjärtfrekvens, beräknad efter användarens ålder enligt: 220 minus ålder.
- Lägsta hjärtfrekvensinställning är 50 % av användarens maximala hjärtfrekvens
- Högsta hjärtfrekvensmålinställning är 100 % av användarens maximala hjärtfrekvens.

- Tryck på HRC-knappen för att välja HRC-program.
- Använd plus- eller minusknapparna för att ställa in användarens ålder och bekräfta genom att trycka på "Enter"
- Använd plus- eller minusknapparna för att ställa in önskad hjärtfrekvens och tryck på "Enter" för att bekräfta (maxgränsen bestäms av den inställda åldern (220 minus ålder)

- Tryck på "Start" för att starta ditt träningspass.
- Träningen stoppar efter 30 minuters nedräkning.

Löpbandet stannar efter  $\pm 30$  sek. om ingen puls registreras.

### Målträning

- Det finns tre målträningsprogram:  
Målavstånd, Måltid, Målkalorier.

Tryck på målträningssknappen två gånger för att öppna "Måltid".  
Tryck på målträningssknappen tre gånger för att öppna "Målkalorier".

### Målavstånd

- Tryck på målträningssknappen en gång för att öppna "Målavstånd".
- Som standard visas "0,1" (km) eller det senaste inställda målet i displayen. Programmet lagrar det senaste inställda avståndet som önskat avstånd.  
Använd plus- eller minusknapparna för att ställa in önskat mål.  
 $\pm 0,1$  km      Intervall: 0,1~99,9 km.  
Håll inne plus- eller minusknapparna för snabb justering  $\pm 1,0$  km.
- Tryck på "Start" för att starta ditt träningspass.
- Träningen stoppas när det inställda avståndsmålet har nåtts.

### Måltid

- Tryck på måltidsknappen två gånger för att öppna "Måltid".
- Som standard visas "1" (min.) eller det senaste inställda målet i displayen. Programmet lagrar den senaste inställda tiden som önskad tid.  
Använd plus- och minusknapparna för att ställa in önskat mål.  
 $\pm 1$  min.      Intervall: 1~99 min.  
Håll inne plus- och minusknapparna för snabb justering  $\pm 1$  min.
- Tryck på "Start" för att starta ditt träningspass.
- Träningen stoppar när det inställda tidsmålet har uppnåtts.

### Målkalorier

- Tryck på målträningssknappen tre gånger för att öppna "Målkalorier".
- Som standard visas "10" (kalorier) eller det senaste inställda målet i displayen. Programmet lagrar de senaste inställda kalorierna som önskade kalorier.  
Använd plus- och minusknapparna för att ställa in önskat mål.  
 $\pm 1$  kalori.      Intervall: 10~999 kalorier.  
Håll inne plus- eller minusknapparna för  $\pm 10$  kalorier.
- Tryck på "Start" för att starta ditt träningspass.
- Träningen stoppar när det inställda målet har uppnåtts.

### Gå bakåt

Funktionen för att gå bakåt ställer in löpbandet att gå bakåt. Därmed kan du göra en baklängesövning.

Du kan också vända dig om och använda den här funktionen för att gå framåt i en hög lutning.

- Tryck på "Gå bakåt"-knappen för att välja detta lägesprogram.
- Tryck på "Start" för att starta ditt träningspass.
- Löpbandet startar med hastigheten 0,1 km/t bakåt
- Plus- eller minusknapparna för "Hastighet/Släde" kan också användas för att när som helst ändra träningshastigheten.  
 $\pm 0,1$  km/t      Intervall: 0,1~2,5 km/h.
- Träningspasset stoppar när användaren stoppar träningen manuellt.

### Bluetooth & APP

- Denna panel kan ansluta APP (Fit Hi Way) på den smarta enheten med Bluetooth. (iOS & Android).
- Upprätta Bluetooth-anslutningen endast via anslutningsläget på den installerade APP-enheten på din smarta enhet.

### ⚠ OBS

- Tunturi ger dig endast möjligheten att ansluta din träningspanel med en Bluetooth-anslutning. Därför bär Tunturi inget ansvar för skador eller felfunktioner som uppstår på andra produkter än Tunturi-produkter.
- Kolla webbplatsen för extra information.

## Rengöring och underhåll

### ⚠ VARNING

- Din utrustning kräver månatligt underhåll, även när den inte används.
- Innan rengöring och underhåll, avlägsna stickkontakten från vägguttaget.
- Använd inte lösningsmedel för att rengöra utrustningen.

- Blockera inte ventilationsöppningarna. Håll ventilationsöppningarna rena från damm, smuts och andra hinder.
- Rengör utrustningen med en mjuk och absorberande trasa efter varje användning.
- Rengör synliga delar av utrustningen med en dammsugare med ett litet sugmunstycke.
- Kontrollera regelbundet att alla skruvar och muttrar är åtdragna.

### ⚠ VARNING

- Vi rekommenderar att du endast använder inomhusskor på ditt löpband. Om du inte har inomhusskor rekommenderar vi att du kontrollerar sulorna på dina skor innan du använder dem på löpbandet och ser till att de är rena, eftersom löpbandet inte är gjort för smuts och partiklar som kan finnas utomhus.

### Allmän rengöring

Smuts, damm och hår från husdjur kan med tiden blockera ventilationsöppningarna på löparbandet. Månatlig rengöring: dammsug under löparbandet.

KOPPLA ALLTID UR STICKPROPPEN INNAN DU GÖR NÅGOT AV DETTA.

### Banddamm

Detta uppstår i början och är normalt under inkörningsperioden. Torka bort synligt damm med en fuktig trasa

### Bandet och löpunderlaget

Ditt löpband har en högeffektiv lågfriktionsbädd. Löpbandets prestanda maximeras när löpardäcket hålls rent och fritt från damm och smuts. Smuts och dammpartiklar mellan löpardäck och löpband kommer att skada din löpardäcks yta och påverkar prestandan och produktivslängden.

### Hur man rengör löpardäcket

Använd en mjuk, torr trasa för att torka av bältets kant och området mellan bältets kant och ram. Försök att nå under löpbandets kanter också, för att ta bort smuts som samlats längs kanterna.

### Hur man rengör löpbältets yta

Använd först en skurborste i nylon för att ta bort de lösa partiklarna från löpbandets yta. Använd sedan en urvriden fuktig trasa (ej rengöringsmedel eller slipmedel) för att försiktigt rengöra toppen av det mönstrade bältet. Låt bältet torka helt innan du använder det.



**OBS**

- Om bältet blir för smutsigt för att rengöras med vatten kan du använda en mild tvål, men använd aldrig lösningsmedel.
- Förhindra under alla omständigheter att lösningen sipprar ned mellan löpardäck och löpband.

Detta bör göras regelbundet för att förlänga bältets och löpardäckets livslängd.

**Smörjning (Fig. F-6)****OBS**

- Löpbandets löpband är försmörjt innan det monteras på löpbandet under tillverkningen av enheten. Man behöver därför inte smörja löpbandet när det tas i bruk för första gången.

Löpbandet måste inspekteras regelbundet för smörjning. Löpbandet har därför en påminnelsefunktion på 300 km. "TIME WINDOW" [TIDSFÖNSTRET] visar "OIL" [SMÖRJ] och ett pipjud hörs var 10:e sekund för att påminna dig. Följ nedanstående inspektionsprocedur och eliminera meddelandet "OIL" [SMÖRJ] och ljudvarningssignalen genom att trycka på knappen "STOP" [STOPP] i minst 3 sekunder när varningssignalen ljuder.

**! VARNING**


- Innan smörjning, avlägsna stickkontakten från vägguttaget.

**! OBS.**

- Vi rekommenderar att du kontrollerar löpbandets smörjning minst en gång i månaden, eftersom fler faktorer än tiden kan vara relevanta för smörjmedelsförhållandena.
  - Smörj bara löpmattan vid behov. Om du använder för mycket smörjmedel, kommer löpmattan att slira på grund av för lite friktion.
- Stå stabilt på löpmattan.
  - Håll i det främre handtaget och använd dina fötter för att trycka löpmattan så att den glider fram och tillbaka. Löpmattan måste röra sig jämnt och ljudlöst.
  - Om löpmattan inte rör sig jämnt, eller om det inte rör sig alls, vidrör undersidan av löpmattan med dina fingertoppar och undersök smörjningen:
    - Om du känner smörjmedel eller om dina fingertoppar är blanka finns det tillräckligt med smörjmedel på löpmattan.
    - Om du inte känner något smörjmedel, eller om dina fingertoppar är dammiga, applicera smörjmedel ( $\pm 10$  ml.) i mitten av löpbrädan under löpmattan och låt utrustningen vara igång i 5 km/h under minst fem minuter.
    - Efter smörjning, fäll inte ihop utrustningen innan du har tränat i 2 minuter med en hastighet på minst 5 km/h. Detta gör att smörjmedlet absorberas helt av löpremnen och sprids jämnt.

**OBS**

- Om 5 km/h är för snabbt för dig, gå i önskad takt, men utöka till minst 5 minuter.

 Klicka för att se vår stödjande YouTube-video  
<https://youtu.be/ceaOYnoY5k>

**Justera bältet**

Öparbandets prestanda är beroende på den yta som ramen står på. Om golvet inte är plant kan rullarna fram och bak inte löpa parallellt och ständig justering kan behövas.

Löpbandet har designats för att hålla bandet i mitten under användningen. Det är normalt att ett band kan dras åt ena sidan när det inte belastas. Efter några minuters användning ska bandet dock dras mot mitten igen. Om bandet istället fortsätter att dra åt ena hållet under användningen måste det justeras.

**UNDANTAG:**

Vid rehabilitering och användaren har större styrka i det ena benet, då kan det hända att bandet dras åt ena sidan. Under sådana omständigheter ska du inte justera då bandet återställer sig vid jämn belastning.

**Justera bandspårringen**

Denna justering görs genom att den bakre rullen. Ställskruvarna är placerade vid ändarna av ändkåporna.

- Spänn de bakre bandrulleuttrarna (medurs) bara så att bandet inte slirar på frontrullen. Vrid båda spännbultar lika mycket i steg om 1/4 varv åt gången och testa spänningen genom att gå på bandet vid en mycket låg hastighet för att kontrollera att bandet inte slirar på rullarna. Fortsätt justera tills bandet inte slirar längre.
- Om bandet är tillräckligt spänt men fortfarande slirar kan detta bero på en löst motorrem under fronthöljet.
- Spänn inte för hårt: Om du spänner bandet för hårt kan det ta skada både bandet och lagren.



Klicka för att se vår stödjande YouTube-video  
[https://youtu.be/pp4\\_4bL1MXo](https://youtu.be/pp4_4bL1MXo)

**Centrera löpremnen (fig. F-5)**

Centrering av löpbältet behövs när ditt löpbälte inte löper i mitten av din löpyta. Detta syns tydligt när gapet mellan sidostycket och löpbälte är betydligt större på ena sidan jämfört med den andra sidan.

Detta kan orsakas av (följande):

**ORSAK 1**

Ena ben trycker ifrån med mer kraft i push-off under ditt träningspass. Detta gör att bältet skjuts åt sidan, men korrigeras automatiskt när löpremnen får löpa olastad i några minuter.

**ORSAK 2**

Löpbandet ligger inte vågrätt horisontellt, där tyngdkraften drar löpbandet långsamt till den lägsta änden av löpbandet. Detta måste åtgärdas genom att ställa löpbandet i rätt nivå eftersom det inte kan lösas med någon annan justering.

**ORSAK 3**

Löpbandet är inte korrekt centrerat mellan främre och bakre valstrumman. Detta måste korrigeras genom att justera löpbältets spärring enligt beskrivningen nedan.

För att justera löpbältets spärring, använd insexnyckeln som medföljer ditt löpband.

- Ställ in ditt löpband på en hastighet av  $\pm 5$  km/h, utan att springa på det.
- När löpbältet drar åt höger.  
Vrid den vänstra bakre valsens justeringsratt, som sitter på den bakre änden i ett uttag i det bakre valsskyddet, moturs i 1/4 varv.
- När löpbältet drar åt vänster.  
Vrid den högra bakre rulljusteringen, som sitter på den bakre änden i ett uttag i den bakre rullkåpan, moturs i 1/4 varv.
- Vänta  $\pm 2$  minuter för att ge löpremnen tid att svara på justeringen innan du utprepar justeringsstegen vid behov.

**OBS**

- Kom ihåg att en liten justering kan göra stor skillnad, så justera med små steg åt gången.



Klicka för att se vår stödjande YouTube-video  
<https://youtu.be/qx5AvTv00J4>

Regelbunden justering av bandspårningen kan krävas beroende på användning och kraftfördelning under träningen. Olika användare kan påverka spårningen olika. Det är normalt att behöva justera bandspårningen då och då. Efter ett tag krävs mindre justering. Rätt bandspårning är ägarens ansvar och är en normal justering som behövs göras regelbundet på alla löparband.

#### ANMÄRKNING

- Skada som uppstått till följd av fel bandspårning / spänning, täcks inte av garantin.

## Störningar Vid Användning

Trots kontinuerlig kvalitetskontroll kan fel eller funktionsstörningar som beror på någon enskild komponent förekomma. Därför är det onödigt att hela redskapet skickas på reparation, eftersom det för det mesta räcker med att aktuell komponent byts.

Kontakta genast din försäljare om du upptäcker fel eller brister när du använder ditt redskap eller om du behöver reservdelar. Uppge alltid redskapets modell och serienummer. Beskriv problemet, hur redskapet använts, och uppgive inköpsdagen.

Behöver du reservdelar, uppgive också numret på reservdelar; du hittar en lista på reservdelar i slutet på den här handboken. Till apparaten är endast delar från reservdelslistan användas.

### Felkoder

Om displayen visar en felkod ("E" + siffra), starta om utrustningen och kontrollera om displayen fortfarande visar felkoden. Om displayen fortfarande visar felkoden, kontakta omedelbart återförsäljaren.

### Oil / Lubrication

OIL är inte en felkod, se "Smörjning"

### Cracking or wringing sound at low speed

When the running belt makes a cracking/ wringing noise when you put your body weight on the running belt during workout, the belt lubrication must be checked and most likely some lubricant is required. This problem mostly happens in the "Limit speed" mode or "Backward walking", as in these modes the running belt operation speeds can be set below 0.5 km/h. See section "Lubrication" for more details on how to check and apply the lubricant status of your running belt.

## Transport och lagring

#### VARNING

- Innan rengöring och underhåll, avlägsna stickkontakten från vägguttaget.
  - Var två om att bära och förflytta utrustningen.
  - Kontrollera att det inte finns några andra personer eller föremål under utrustningen.
- Flytta utrustningen enligt bilden (bild F7).  
- Ta bort nätsladden innan du flyttar löpbandet för att undvika att nätsladden fastnar i hjulen och skadar nätsladden eller stickkontakten.

- Hjulen under löpbandet är gjorda för att transportera löpbandet, men tänk på att det är extremt tungt.
- På grund av löpbandets vikt rekommenderar vi att du endast transporterar det över plana, stabila och rena ytor för att undvika hjulskador.

## Garanti

### Tunturis ägargarantitunt

#### Garantivillkor

Konsumenten har rätt till tillämpliga lagliga rättigheter som anges i den nationella lagstiftningen om handel med konsumentvaror. Denna garanti begränsar inte dessa rättigheter. Köparens garanti är endast giltig om produkten används i en miljö som är godkänd av Tunturi New Fitness BV och underhålls enligt instruktionerna för den specifika utrustningen. Den produktspecifika godkända miljön och underhållsinstruktionerna anges i produktens "användarhandbok". "Användarhandboken" kan laddas ned från vår webbplats. <http://manuals.tunturi.com>

#### Garantivillkor

Garantivillkoren börjar att gälla från inköpsdatumet. Garantivillkoren kan variera mellan olika länder. Kontakta en lokal återförsäljare om garantivillkoren.

#### Garantins omfattning

Oavsett omständigheter, ansvarar inte Tunturi New Fitness BV eller Tunturis återförsäljare för uppkomna personskador som påverkar köparen, och som innebär inkomstförlust eller andra ekonomiska följdverkningar.

#### Gegränsningar i garanti

Garantin gäller för arbets- och materialfel, förutsatt att redskapet är i originalmonterat skick. Garantin gäller endast fel som uppstår vid normalt bruk och då den använts enligt Tunturis instruktioner gällande montering, skötsel och användning. Tunturi New Fitness BV och Tunturis återförsäljare ansvarar ej för fel som uppkommer utanför deras kontroll. Garantin gäller endast redskapets ursprungliga ägare och är gällande endast i de länder där det finns en godkänd Tunturi New Fitness BV återförsäljare. Garantin gäller ej för redskap eller delar som har ändrats utan Tunturi New Fitness BV:s godkännande. Garantin gäller ej för fel som beror på normalt slitage, felaktig användning, användning i förhållanden som inte är avsett för redskapet, korrosion eller lastnings- och transportskador.

Garantin täcker inte ljud som uppstår under användning såvida dessa inte väsentligt hindrar utrustningens användning eller har orsakas av ett fel i utrustningen.

Garantin gäller inte för underhållsarbete, som rengöring, smörjning eller normal kontroll av komponenterna och inte heller för monteringsarbete som kunden själv kan göra och som inte kräver att redskapet plockas isär/sätts ihop. Det gäller till exempel byte av mätare, trampor eller andra motsvarande enkla delar. Garantireparationer utförda av andra än en godkänd Tunturi-representant, ersätts inte. Ifall instruktionerna i manualen inte följs upphävs produktens garanti.

## Teknisk information

Parameter	Måttenhet	Värde
Nätspänning	VAC	210~240
Nätfrekvens	HZ	50~60
Hastighet	Km/H	0.1~20.0
Lutning	Step	0~15
Längd	Cm	196.0
Bredd	Cm	88.0
Höjd	Cm	154.7
Vikt	Kg	155.8
Max användarvikt	Kb	150
Hjärtfrekvens- mätning tillgänglig via:	Hand-kontakt 5.3~ 5.4 Khz. BLE BT ANT+	Ja Ja Ja Nej

### OBS

- För att få reda på mer om produktdimensioner och funktionella dimensioner, se illustration G.

## Försäkran från tillverkaren

Tunturi New Fitness BV försäkrar att produkten uppfyller följande standarder och direktiv: EN-957- (SA), 2014/30/EU.  
Produkten är därför CE-märkt.

03-2023

Tunturi New Fitness BV  
Purmerweg 1  
1311 XE Almere  
Nederländerna

## Friskrivning

© 2023 Tunturi New Fitness BV  
Alla rättigheter förbehållna.

- Produkten och handboken kan komma att ändras.
- Specifikationer kan ändras utan förvarning.
- På vår webbplats finns den senaste bruksanvisningen.

## Suomeksi

Tämä suomennettu käyttöohje on käännetty Englannin kielestä. Pidätämme oikeudet mahdollisiin käännösvirheisiin. Käännös tehty virallisen, englanninkielisen version pohjalta.

## Sisältö

<b>Tervetuloa.....</b>	<b>124</b>
<b>Turvallisuusvaroitukset .....</b>	<b>125</b>
Sähköturvallisuus .....	125
<b>Kokoamisohjeet.....</b>	<b>125</b>
Kuvan A kuvaus .....	125
Kuvan B kuvaus.....	125
Kuvan C kuvaus .....	125
Kuvan D kuvaus .....	125
Kiristä mutterit ja ruuvit.....	126
Lisätietoa laitteen omistajalle.....	126
Vapaa harjoitusalue (kuva D-0) .....	126
<b>Harjoitukset.....</b>	<b>126</b>
Ohjeita harjoittelua varten .....	126
Syke .....	127
<b>Käyttö.....</b>	<b>127</b>
Tukijalkojen säätö .....	128
Core-bar.....	128
Vastuskuminauha .....	128
<b>Ohjauspaneeli (kuva E-1) .....</b>	<b>128</b>
Painikkeet .....	128
Tietyt kelkkatilan painikkeiden toiminnot .....	129
Tietyt nopeuden rajoitus -tilan painikkeiden toiminnot.....	129
Tietyt taaksepäin-tilan painikkeiden toiminnot.....	129
Näytön kohtien selitykset.....	130
Näytön piippauksen selitys .....	130
USB-toiminto .....	130
<b>Mittarin toiminta .....</b>	<b>130</b>
Pika-aloitus .....	130
Harjoituksen lopettaminen tai keskeyttäminen .....	130
<b>Kelkkaohjelmat.....</b>	<b>130</b>
Juoksumaton kelkkatoiminto .....	130
Goal Distance (tavoitematka).....	131
Goal Time (tavoiteaika).....	131
Manual (manuaalinen).....	131
Custom (mukautettu).....	131
Strength Test (voimatesti) .....	131
<b>Juoksumatto-ohjelmat .....</b>	<b>131</b>
Limit Mode (rajoitustila) .....	132
Ohjelmat P1–P5 .....	132
Ohjelmat P6–P10.....	132
User (käyttäjä).....	132
HRC (sykeohjattu).....	132
Goal Training (tavoiteharjoittelu).....	133
Backward Walking (taaksepäin käveleminen) .....	133
Sovellus & Bluetooth .....	133
<b>Puhdistus ja huolto .....</b>	<b>133</b>
Peruspuhdistus .....	133
Matto ja juoksualusta .....	134
Voitelu (kuva F-6).....	134
Maton säädöt .....	134

<b>Käyttöhäiriöt .....</b>	<b>135</b>
Virhekoodit .....	135
Oil / Lubrication.....	135
Cracking or wringing sound at low speed .....	135
<b>Kuljetus ja säilytys .....</b>	<b>135</b>
<b>Takuu .....</b>	<b>135</b>
<b>Tekniset tiedot.....</b>	<b>136</b>
<b>Valmistajan vakuutus .....</b>	<b>136</b>
<b>Vastuuvapauslauseke.....</b>	<b>136</b>

## Tervetuloa

Tervetuloa Tunturi Fitness -maailmaan!

Kiitämme sinua tämän Tunturi-laitteen ostosta. Tunturi tarjoaa laajan valikoiman ammattimaisia kuntoilulaitteita, mukaan lukien crosstrainerit, juoksumatot, kuntopyörät, soutu-laitteet, voimapankit ja moniasemat.

Tunturi-laite sopii koko perheelle kuntotasosta riippumatta. Katso lisätiedot verkkosivuiltamme [www.tunturi.com](http://www.tunturi.com)

### Tärkeitä turvallisuusohjeita

Tämä opas on olennainen osa kuntolaitettasi. Perehdy ohjeisiin huolellisesti ennen kuin asennat, käytät tai huollat kuntolaitettasi. Sinun tulee ehdottomasti säilyttää tämä opas, sillä jatkossa se opastaa Sinua niin kuntolaitteesi tehokkaaseen käyttöön kuin huoltoonkin. Muista aina noudattaa tämän oppaan ohjeita.

## Turvallisuusvaroitukset

### ⚠ VAROITUS

- Lue turvallisuusvaroitukset ja -ohjeet. Turvallisuusvaroitusten ja -ohjeiden jättäminen noudattamatta voi aiheuttaa henkilön loukkaantumisen tai laiteaurion. Säilytä turvallisuusvaroitukset ja -ohjeet myöhempää käyttöä varten.

### ⚠ VAROITUS

- Sykkeenvalvontajärjestelmät saattavat olla epätarkkoja. Liiallinen harjoittelu saattaa aiheuttaa vakavia vammoja tai kuoleman. Jos tunnet olosi heikoksi, lopeta harjoittelu heti.
- Tämä laite soveltuu sekä koti- että ammattikäyttöön (esim. sairaaloihin, paloasemille, hotelleihin, kouluihin).
- Tämän laitteen käyttö lasten tai fyysisesti, aistillisesti, henkisesti, tai liikunnallisesti rajoittuneiden, tai kokemukseltaan ja tiedoiltaan puutteellisten henkilöiden toimesta voi aiheuttaa vaaratilanteita. Heidän turvallisuudestaan vastuussa olevien henkilöiden on annettava selkeät ja tarkat ohjeet laitteen käytöstä ja valvottava laitteen käyttöä.
- Ennen harjoituksen aloittamista ota yhteys lääkäriin terveystarkastusta varten.
- Jos sinulla on pahoinvointia, huimausta, tai muita epätavallisia oireita, lopeta välittömästi harjoitus ja ota yhteys lääkäriin.
- Vältä lihaskipuja ja venähdyksiä aloittamalla jokainen harjoitus lämmittelyjaksolla ja pääätä jokainen harjoitus jäähdyttelyjaksolla. Muista venytellä harjoittelun lopuksi.
- Laite on sopiva vain sisäkäyttöön. Laite ei ole sopiva ulkokäyttöön.
- Käytä laitetta riittävällä tuuletuksella varustetuissa tiloissa. Älä käytä laitetta vetoisissa tiloissa välttääksesi kylmettymisen.
- Käytä laitetta vain ympäristölämpötilassa 10 °C - 35 °C. Säilytä laitetta vain ympäristölämpötilassa 5 °C - 45 °C.
- Älä käytä tai säilytä laitetta kosteissa tiloissa. Ilmankosteus ei saa koskaan olla yli 80 %.
- Käytä laitetta vain sen aiottuun tarkoitukseen. Älä käytä laitetta muihin, kuin tässä käyttöoppaassa esitettyihin tarkoituksiin.
- Älä käytä laitetta, jos sen jokin osa on vaurioitunut tai viallinen. Jos osa on vaurioitunut tai viallinen, ota yhteys jälleenmyyjään.
- Pidä kätesi, jalkasi ja kehon muut osat pois liikkuvista osista.
- Pidä hiuksesi pois liikkuvista osista.
- Käytä asianmukaista vaatetusta ja kenkiä.
- Pidä vaatteet, korut ja muut esineet pois liikkuvista osista.
- Varmista, että vain yksi henkilö kerrallaan käyttää laitetta. Yli 150 kg (330 lbs) ainava henkilö ei saa käyttää laitetta.
- Älä avaa laitetta ilman yhteydenottoa jälleenmyyjäsi.

### Sähköturvallisuus

(koskee vain sähköistä laitetta)

- Varmista aina ennen käyttöä, että sähkölähteen jännite on sama kuin laitekilvessä ilmoitettu laitteen nimellisjännite.
- Älä käytä jatkojohtoa.
- Pidä virtajohto pois kuumasta, öljystä ja terävistä kulmista.
- Älä tee muutoksia virtajohtoon tai pistokkeeseen.
- Älä käytä laitetta, jos virtajohto tai virtajohdon pistoke on vaurioitunut tai viallinen. Jos virtajohto tai virtajohdon pistoke on vaurioitunut tai viallinen, ota yhteys jälleenmyyjäsi.
- Suorista aina virtajohto täysin.
- Älä vie virtajohtoa laitteen alitse. Älä laita virtajohtoa maton alle. Älä laita virtajohdon päälle mitään esineitä.
- Varmista, ettei virtajohto roiku pöydän kulman yli. Varmista, ettei virtajohtoon voi vahingossa tarttua kiinni tai kompastua.
- Älä jätä laitetta ilman valvontaa virtajohdon ollessa liitettynä pistorasiaan.

- Älä vedä pistoketta irti pistorasiasta virtajohdosta vetämällä.
- Irrota pistoke pistorasiasta, kun laite ei ole käytössä, ennen asennusta tai purkamista ja ennen puhdistusta sekä huoltoa.

### ⚠ VAROITUS

- Jos virtalähteen jännitevaihtelu on 10 % tai enemmän, se voi vaikuttaa kielteisesti juoksumaton toimintaan. Sellaiset olosuhteet eivät kuulu takuun piiriin. Jos epäilet, että jännite on alhainen, ota yhteyttä energiayhtiösi tai valtuutettuun sähkömieheen asian tarkistamiseksi.

### ⚠ VAROITUS

- Sijoita verkkojohto riittävän etäälle juoksumaton liikkuvista osista, kaltevuusmekanismi ja siirtopyörät mukaan lukien.

### Maadoitusohjeet

Tämä laite on liitettävä maadoitettuun pistorasiaan. Jos juoksumaton sähköjärjestelmään sattuisi tulemaan häiriöitä tai vikaa, maadoitus vähentää sähköiskun vaaraa tarjoamalla sähkövirralle vähiten vastusta sisältävän polun. Juoksumaton verkkojohdossa on maadoitettu pistoke. Pistoke on liitettävä asianmukaiseen seinäpistorasiaan, joka on asennettu ja maadoitettu kaikkien paikallisten normien ja määräysten mukaisesti.

### ⚠ VAROITUS

- Maattojohdon väärä liitäntä voi aiheuttaa sähköiskun vaaran. Jos et ole varma siitä, onko laite maadoitettu ohjeiden mukaisesti, tarkista asia pätevältä sähkömieheltä tai huoltoasentalta. Jos kuntolaitteen mukana toimitettu pistoke ei sovi pistorasiaan, älä yritä tehdä pistokkeeseen muutoksia. Ota yhteyttä valtuutettuun sähkömieheen ohjeiden mukaisen pistorasian asentamiseksi.

## Kokoamisohjeet

### Kuvan A kuvaus

Kuvassa on esitetty, miltä harjoituslaite näyttää, kun asennus on saatu valmiiksi.

Voit käyttää tätä viitteenä asennuksen aikana, mutta tee asennusvaiheet aina oikeassa järjestyksessä kuvien mukaisesti.

### Kuvan B kuvaus

Kuvassa on esitetty, mitä komponentteja ja osia sinun tulisi löytää poistaessasi tuotteen pakkauksesta.

### ⚠ HUOMAUTUS!!

- Pienet osat voivat olla piilossa / pakattuina Styrofoam-tuotesuojan koloihin.
- Jos osa puuttuu, ota yhteys jälleenmyyjään.

### Kuvan C kuvaus

Kuvassa on esitetty tuotteesi mukana tuleva välinepaketti. Välinepaketti sisältää pultit, aluslaatat, ruuvit, mutterit jne. sekä tarvittavat työkalut harjoittelulaitteen asianmukaiseen asennukseen.

### Kuvan D kuvaus

Kuvassa on esitetty oikea järjestys, jota noudattamalla harjoittelulaitteen asennus onnistuu parhaiten.

### ⚠ HUOMAUTUS!!

- Asennusvaiheissa esitetyt osanumerot alkavat varaosapiirustuksen numerolla; varaosapiirustuksen löytää verkosta käyttöohjeen täydestä versiosta.

### VAROITUS

- Kokoonpane laite esitetyssä järjestyksessä.
- Vähintään kahden henkilön on kannettava ja siirrettävä laitetta.

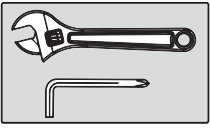
### HUOMAUTUS

- Sijoita laite kovalle, tasaiselle alustalle.
- Asettakaa laite suojajalustalle lattiapinnan vaurioiden estämiseksi.
- Varaa vähintään 100 cm tilaa laitteen ympärille.
- Katso piirroksesta laitteen oikea asennus.

### ILMOITUS

- Kun olet suorittanut asennuksen loppuun, pane tämän tuotteen mukana toimitetut työkalut talteen tulevia huoltotöitä varten.

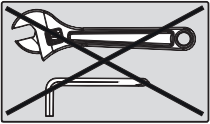
### Kiristä mutterit ja ruuvit



Kiristä kunnolla kaikki mutterit ja ruuvit sen jälkeen, kun kaikki nykyisen ja edeltävien vaiheiden osat on asennettu.

### HUOM

- Älä ylikiristä mitään kääntyvää osaa.
- Varmista, että kaikki kääntyvät osat pääsevät liikkumaan vapaasti.



Älä kiristä kaikkia muttereita ja ruuveja tässä vaiheessa.

### Lisätietoa laitteen omistajalle

#### Pakkauksen hävittäminen

Lainsäädäntö ohjeistaa meitä vähentämään kaatopaikoille toimitetun jätteen määrää. Sen vuoksi pyydämme sinua toimittamaan kaikki pakkauksijätteet sitä varten tarkoitettuun kierrätyspaikkaan.

#### Laitteen hävittäminen käyttöiän päättyessä

Me Tunturilla toivomme, että iloitset kuntolaitteestasi vuosia. Jokainen kuntolaite tulee kuitenkin aikanaan oman käyttöikänsä loppuun. Kotitalouksien sähkö- ja elektroniikkalaiteromua käsittelevien eurooppalaisten määräysten (WEEE) mukaan sinun kuuluu toimittaa kuntolaitteesi sitä varten tarkoitettuun keräyspaikkaan.

### Vapaa harjoitusalue (kuva D-0)

#### Laitteen etuosa

Varaa vähintään 30 cm vapaata tilaa laitteen eteen.

- Tämän osan vapaa harjoitusalue voidaan jakaa muiden samantyyppisten laitteiden kanssa, kun molemmat ovat vastakkain.

#### Laitteen vieressä.

Varaa vähintään 60 cm vapaata tilaa laitteen vieressä.

- Tämän osan vapaa harjoitusalue voidaan jakaa muiden samantyyppisten laitteiden kanssa, kun molemmat ovat vastakkain.

#### Laitteen takana

Varaa vähintään 200 cm vapaata tilaa laitteen taakse.

- Tämän osan vapaa harjoittelualuetta ei voida jakaa muiden samantyyppisten laitteiden kanssa, vaan tarvittava ylimääräinen vapaa tila riippuu molempien laitteiden suunnasta, ja sen on oltava molempien arvojen summa.

## Harjoitukset

Harjoituksen on oltava sopivan kevyt, mutta pitkäkestoinen. Aerobic-harjoitus perustuu kehon maksimi hapenottokyvyn parantamiseen, mikä puolestaan parantaa kestävyttä ja kuntotasoa. Harjoituksen aikana sinun tulisi hikoilla, mutta sinun ei tulisi hengästyä. Harjoittele vähintään kolme kertaa viikossa 30 minuuttia peruskuntotason saavuttamiseksi ja ylläpitämiseksi. Paranna kuntotasoa lisäämällä harjoituskertojen määrää. On hyödyllistä yhdistää säännöllinen harjoitus terveelliseen dieettiin. Dieettiin sitoutuneen henkilön tulisi harjoitella päivittäin, ensi alkuun korkeintaan 30 minuuttia ja vähitellen lisäten päivittäinen harjoitusaika yhteen tuntiin. Aloita harjoituksesi hitaalla nopeudella ja pienellä vastuksella estääksesi liiallisen rasituksen sydän-verisuonijärjestelmään. Nopeutta ja vastusta voidaan vähitellen lisätä kuntotason parantuessa. Harjoituksesi tehokkuus voidaan mitata seuraamalla sydämesi lyöntinopeutta ja pulssisi nopeutta. Lisää nopeutta ja vastusta vähitellen oman kuntosi mukaan. Pidä pää pystyssä ja kaula suorana välttääksesi stressiä kaulassa, hartioissa ja selässä. Pidä selkäsi suorana. Varmista, että jalkasi ovat keskellä polkimia ja että lantio, polvet, nilkat ja varpaat ovat suoraan eteenpäin. Pidä painosi alaruumiin yläpuolella, huolimatta siitä, nojaatko eteenpäin vai seisotko suorana. Lopeta harjoitusjaksosi vähentämällä nopeutta ja vastusta vähitellen. Muista venytellä harjoittelun loppuun.

### Ohjeita harjoittelua varten

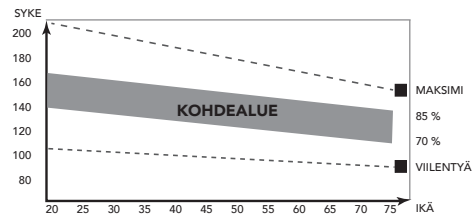
Kuntolaitteen käyttö tarjoaa monia etuja: se parantaa fyysistä kuntoa, kiinteyttää lihaksia ja hallittuun ruokavalion yhdistettynä se auttaa myös pudottamaan painoa.

### Lämmittelyvaihe

Tämän vaiheen tarkoituksena on saada veri virtaamaan nopeammin ympäri kehoa ja panna lihakset tekemään työtä. Lämmittely vähentää myös kramppien ja lihasvammojen riskiä. Suosittelemme, että teet muutaman venyttelyharjoituksen alla olevan kuvan mukaisesti. Jokaisen venytyksen tulisi kestää noin 30 sekuntia. Älä tee venytyksiä väkisin tai nykäisten - jos tunnet kipua, LOPETA.

### Harjoitteluvaihe

Tämä on se vaihe, jossa ponnistelet. Säännöllisen harjoittelun tuloksena jalkojesi lihakset tulevat joustavammiksi. Tässä vaiheessa on hyvin tärkeää ylläpitää tasaista nopeutta koko ajan. Rasituksen tulisi olla riittävän suuri, jotta sykkeesi nousee tavoitealueelle alla olevan kaavion mukaisesti.



Tämän vaiheen tulisi kestää vähintään 12 minuuttia, mutta useimmilla aloittelijoilla se on noin 15-20 minuuttia.

### Jäähdyttelyvaihe

Tämän vaiheen tarkoituksena on antaa verenkiertojärjestelmäsi ja lihaksiesi palautua. Jäähdyttelyssä toistetaan lämmittelyvaiheen harjoitukset vähentämällä ensin nopeutta ja jatkamalla tällä nopeudella noin 5 minuuttia. Toista sitten venyttelyharjoitukset pitäen mielessä, että venytyksiä ei saa tehdä väkisin tai nykäisten. Kun kuntosi nousee, voit tarvita pidempiä ja raskaampia harjoituksia. On suositeltavaa treenata vähintään kolme kertaa viikossa, ja harjoittelut olisi hyvä jakaa tasaisesti viikon varrelle.

## Lihasten kiinteytys

Jos tavoitteesi on lihasten kiinteytys, sinun pitää asettaa vastus suureksi. Silloin jalkojesi lihakset rasittuvat enemmän, etkä ehkä pysty treenaamaan niin pitkään kuin haluaisit. Jos tavoitteesi on myös kunnan kohentaminen, sinun pitää muuttaa harjoitteluohjelmaasi. Harjoittele lämmittely- ja jäähdyttelyvaiheissa normaalisti, mutta lisää vastusta harjoitteluvaiheessa, jotta jalkasi joutuvat tekemään enemmän työtä. Vähennä tarvittaessa nopeutta, jotta sykkeesi pysyy tavoitealueella.

## Painon pudotus

Ratkaisevaa on se, miten rasittavaa harjoittelu on. Mitä enemmän ja mitä pidempään harjoitteleet, sitä enemmän poltat kaloreita. Vaikutus on sama kuin jos harjoittelisit kunnan kohentamiseksi, vaikka tavoite on nyt toinen.

## Syke

### Pulssinopeuden mittaus (käsipulssianturit)

Pulssinopeus mitataan käsikien antureilla käyttäjän koskettaessa kumpaakin anturia samanaikaisesti.

Pulssi saadaan mitattua mahdollisimman tarkasti, kun iho on hieman kostea ja se koskettaa koko ajan käsipulssiantureita. Jos iho on liian kuiva tai liian kostea, pulssinopeuden mittaus voi olla epätarkempi.

#### ILMOITUS

- Älä käytä käsipulssiantureita yhdessä sykevyön kanssa.
- Jos asetat rajan sydämen lyöntinopeudelle, rajan ylittyessä kuuluu äänihälytys.

### Sykkeiden mittaus (sykevyö)

#### ILMOITUS

- Rinnahihna ei ole vakiona tämän kouluttajan kanssa. Kun haluat käyttää langatonta rintahihnaa, sinun on ostettava tämä lisävarusteena.

Tarkin sydämen lyöntinopeus saadaan sykevyöllä. Sykemittaus tapahtuu käyttöösi otettavan sykevastaanottimen ja sykevyön lähettimen avulla. Tarkka sydänmittaus edellyttää lähetinvyön elektrodien olevan hieman kosteita ja jatkuvassa kosketuksessa ihoon. Jos elektrodit ovat liian kuivia tai liian kosteita, sykkeiden mittaus voi olla epätarkempi.

#### VAROITUS

- Jos sinulla on sydäntahdistin, ota yhteys lääkäriin ennen sykevyön käyttöä.

#### HUOMAUTUS

- Jos useita sykemittauslaitteita on vierekkäin, varmista, että niiden keskinäinen etäisyys on vähintään 2 metriä.
- Varmista, että laitteen sykevastaanottimen ja sykevyön lähettimen kantomatkan sisällä ei ole muita lähetimiä, jotka voisivat aiheuttaa häiriöitä mittauksessa.

#### ILMOITUS

- Älä käytä sykevyötä yhdessä käsipulssiantureiden kanssa.
- Pidä aina sykevyötä vaatteittesi alla suorassa kosketuksessa ihoosi. Älä pidä sykevyötä vaatteittesi päällä. Jos pidät sykevyötä vaatteittesi päällä, signaalia ei ole.
- Jos asetat rajan sydämen lyöntinopeudelle, rajan ylittyessä kuuluu äänihälytys.
- Lähetin lähettää sykkeen korkeintaan 1,5 metrin etäisyydellä olevaan ohjauspaneeliin. Jos elektrodit eivät ole kosteita, sydämen lyöntinopeus ei tule näytölle.
- Jotkin vaatteiden kuidut (esim. polyesteri, polyamidi) synnyttävät staattista sähköä, mikä voi estää tarkan sydämen lyöntinopeuden mittauksen.

- Matkapuhelimet, televisiot ja muut sähkölaitteet luovat sähkömagneettisen kentän, joka voi estää tarkan sydämen lyöntinopeuden mittauksen.

## Suurin sallittu sydämen lyöntinopeus (harjoituksen aikana)

Suurin sallittu sydämen lyöntinopeus on suurin lyöntinopeus, jonka henkilö voi turvallisesti saavuttaa harjoituksen rasituksella. Seuraavaa kaavaa käytetään laskemaan keskimääräinen suurin sallittu sydämen lyöntinopeus: 220 - IKÄ. Suurin sallittu sydämen lyöntinopeus vaihtelee henkilöstä toiseen.

#### VAROITUS

- Varmista, ettei ylity sydämesi suurinta sallittua lyöntinopeutta harjoituksen aikana. Jos kuulut riskiryhmään, ota yhteys lääkäriin.

## Aloittelija

### 50-60% suurimmasta sallitusta sydämen lyöntinopeudesta

Sopiva aloittelijoille, painonvartijoille, toipilaille, ja henkilöille, jotka eivät ole harjoitelleet pitkään aikaan. Harjoittele vähintään kolme kertaa viikossa, 30 minuuttia kerrallaan.

## Edistynyt

### 60-70% suurimmasta sallitusta sydämen lyöntinopeudesta

Sopiva henkilöille, jotka haluavat parantaa ja ylläpitää kuntoaan. Harjoittele vähintään kolme kertaa viikossa, 30 minuuttia kerrallaan.

## Ekspertti

### 70-80 % suurimmasta sallitusta sydämen lyöntinopeudesta

Sopiva kunnoltaan erittäin hyvälle henkilöille, jotka ovat tottuneet pitkäkestoisin harjoituksiin.

## Käyttö

### Pääkytkin (kuva E-2A)

Tämä laite on varustettu pääkytkimellä laitteen sammuttamiseksi kokonaan.

### Laitteen käynnistäminen:

- Työnnä virtajohdon pistoke laitteeseen.
- Laita virtajohdon pistoke pistorasiaan.
- Laita pääkytkin ON-asentoon.

### Laitteen pysäyttäminen:

- Laita pääkytkin OFF-asentoon.
- Poista virtajohdon pistoke pistorasiasta.
- Poista virtajohdon pistoke laitteesta.

### Turva-avain (kuva F-4)

Laitteen varustukseen kuuluu turva-avain, joka on asetettava oikein konsoliin laitteen käynnistämiseksi. Jos turva-avain vedetään osittain ulos, se aktivoi hätätoimintatilan ja laite pysähtyy välittömästi. Turva-avain työntyy myös pois paikaltaan, kun punaista hätäpainiketta painetaan.

- Aseta turva-avain konsolissa olevaan avaimenreikään painamalla sitä sisäänpäin.
- Varmista, että turva-avaimen solki on kunnolla kiinni vaatteissasi. Varmista, että vaatteisiin kiinnitetty solki on kiinnitetty niin lujasti, että se voi tarvittaessa vetää turva-avaimen ulos.

#### HUOMAUTUS

- Konsoli näyttää vierivän tekstin, jossa lukee: "PUT THE SAFETY KEY ON" (Aseta turva-avain paikalleen), ja päänäytössä on myös pystysuoria vieritysviivoja, kun turva-avain ei ole (oikeassa) asennossa.

### Katkaisin (kuva. E-2B)

Laitte on varustettu katkaisimella, joka avaa virtapiirin sähkökuormituksen ollessa yli suurimman sallitun kuorman. Tämän tapahtuessa katkaisijaa on painettava.

#### VAROITUS

- Poista virtajohdon pistoke laitteesta ennen katkaisimen painamista.

Jos laite sammuttaa itsensä, käynnistä laite uudestaan seuraavasti:

- Poista virtajohdon pistoke laitteesta.
- Paina katkaisinta laitteen käynnistämiseksi uudelleen.
- Työnnä virtajohdon pistoke laitteeseen.

#### ILMOITUS

- Joitakin kotona käytettäviä katkaisimia ei ole luokiteltu korkeaan käynnistysjännitevirtaan, jota voi esiintyä, kun juoksumatto kytketään päälle ja jopa normaalin käytön aikana. Jos juoksumattosi aktivoi katkaisimen (vaikka luokitus on oikea ja juoksumatto on virtapiirin ainoa laite), mutta juoksumaton oma katkaisin ei aktivoitu, sinun pitää vaihtaa katkaisin korkealle käynnistysjännitevirralle tarkoitettuun tyyppiin. Tämä vika ei kuulu takuun piiriin. Kyseessä on asia, johon emme valmistajana voi vaikuttaa.

### Tukijalkojen säätö

Laitteessa on säädettävät tukijalat.

Jos laite tuntuu epävakaalta tai huteralta tai se ei ole tasapainossa, tämä voidaan korjata tukijalkoja säätämällä.

- Käännä tukijalat sisään/ulos tarpeen mukaan, jotta saat laitteen tukevaan asentoon ja mahdollisimman hyvin vaakatasoon.
- Lukitse tukijalat kiristämällä lukkomutterin holkit\*.

#### VINKKI

- Tämä on helpompaa kaksin niin, että toinen henkilö kallistaa laitetta ja toinen tekee tarvittavat säädöt.

#### HUOMAUTUS

- Laitteet ovat vakaimmillaan, kun ne ovat mahdollisimman lähellä lattiaa. Aloita sen vuoksi laitteiston tasapainotus kääntämällä kaikki tukijalat kokonaan sisään, ennen kuin käännät tarvittavat tukijalat ulos laitteen vakauttamiseksi ja tasapainottamiseksi.

### Core-bar

Corebar on asetettava säilytysasentoon juoksumaton kävely-/juoksutoimintoa varten ja kelkkatoimintoja varten toimintatilaan.

### Kiinnitä corebar ennen juoksemista (Kuva F-1)

#### HUOMAUTUS

- Irrota ylimääräiset vastuskuminauhat corebarista ensin, ennen kuin laitat corebarin säilytysasentoon.

- Vedä ponnahdusnuppia ja käännä sitä vastapäivään, kunnes nuppi laskeutuu automaattisesti.
- Seiso sivukiskojen päällä ja työnnä corebaria eteenpäin, kunnes ponnahdusnuppi lukitsee corebarin putoamalla kokonaan alas. Corebarin työntäminen eteenpäin vaatii keskivahvaa voimaa

### Vapauta corebar kelkkatoimintoa varten (kuva F-2)

#### HUOMAUTUS

- Varmista, että corebarissa ei ole lisävarusteita, ennen kuin vapautat corebarin.

- Vedä ponnahdusnuppia ja käännä sitä myötäpäivään pitääksesi sen nostetussa asennossa.
- Corebar siirtyy automaattisesti käyttöasentoon liikkumalla taaksepäin.

### Vastuskuminauha

Vastuskuminauhoja voidaan käyttää lisäämään corebarin vastusta kelkkatoimintoissa.

Kiinnitä toinen tai molemmat vastuskuminauhat corebarin alapuolelle lisätäksesi vastusta haluamallasi tasolle. (Kuva F-3)

### Ohjauspaneeli (kuva E-1)

#### HUOMAUTUS

- Pidä ohjauspaneeli pois suorasta auringonvalosta.
- Kuivaa ohjauspaneelin pinta, jos siihen on tippunut hikeä.
- Älä nojaa ohjauspaneeliin.
- Kosketa näyttöä vain sormenpäälläsi. Älä kosketa näyttöä kynsillesi tai terävillä esineillä.

#### ILMOITUS

- Ohjauspaneeli siirtyy valmiustilaan, kun laitetta ei ole käytetty 4 minuuttiin.

### Painikkeet

#### Katso (kuva E-1)

#### HUOMIO

- Osalla painikkeista on erilaisia toimintoja juoksumaton toiminta-asetuksen mukaan.
- Painikkeiden päätoimintojen tiedot koskevat toimintoja, kun juoksumatto on normaalissa juoksumaton toimintatilassa.
- Painikkeet, joilla on erilaisia toimintoja muissa toimintatiloissa, mainitaan erikseen seuraavissa kohdissa:
  - Tietty kelkkatilan painikkeiden toiminnot.
  - Tietty nopeuden rajoitus -tilan painikkeiden toiminnot.
  - Tietty taaksepäin-tilan painikkeiden toiminnot.

### Hätätilanne

- Punaisen Emergency (häätätilanne) -painikkeen painaminen käynnistää hätäpysäytyksen ja pysäyttää maton liikkeen nopeasti.
- Emergency (häätätilanne) -painikkeen painamisen seurauksena turva-avain ponnahtaa hieman ulospäin, jotta juoksumatto ei käynnisty vahingossa uudelleen.
- Aseta turva-avain paikalleen pohjaan asti poistuaksesi hätäpysäytystilasta.

### Enter

Vahvista asetetut tiedot asetusten ohjelmointitilassa.

### Miinus

Pienennä arvoa asetusten ohjelmointitilassa.

### Plus

Suurena arvoa asetusten ohjelmointitilassa.

### Start (aloita)

Pysäytystilassa voit aloittaa harjoittelun painamalla painiketta. Keskeytystilassa voit jatkaa harjoittelua painamalla painiketta.

### Return (palaa)

Voit palata asetusvalikkoon painamalla painiketta.

### Stop / Pause (pysäytä/keskeytä)

Harjoittelutilassa voit asettaa juoksumaton keskeytystilaan painamalla painiketta.



Keskeytystilassa voit asettaa juoksumaton pysäytystilaan painamalla painiketta.

### Sled Programs (kelkkaohjelmat) -pikavalintapainikkeet

Pysäytystilassa voit valita kelkkaohjelman ja avata ohjelmaan liittyvän asetusvalikon painamalla painiketta.

Juoksumatto-ohjelmat ovat seuraavat: Goal Distance (tavoitematka), Goal Time (tavoiteaika), Manual (manuaalinen), Custom (mukautettu), Strength Test (voimatesti)

### Treadmill Programs (juoksumatto-ohjelmat) -pikavalintapainikkeet

Pysäytystilassa voit valita juoksumatto-ohjelman ja avata ohjelmaan liittyvän asetusvalikon painamalla painiketta.

Juoksumatto-ohjelmat ovat seuraavat: Limit Mode (rajoitustila), P1–P5, P6–P10, User (käyttäjä), HRC (sykeohjattu), Goal Training (tavoiteharjoittelu), Backward Walking (taaksepäin käveleminen)

### Vasemman käden kahvan painikkeet – Stop (pysäytä)

Toiminto on sama kuin "Stop / Pause" (pysäytä/keskeytä) -painikkeella, joka sijaitsee pääpainikelevyssä.

### Vasemman käden kahvan painikkeet – Incline (kulma) miinus

- Pienentää kulmaa (0–15 -1)
- Muuta arvoja ohjelmointitilassa.

### Vasemman käden kahvan painikkeet – Incline (kulma) plus

- Suurentaa kulmaa (0–15 +1).
- Muuta arvoja ohjelmointitilassa.

### Vasemman käden kahvan painikkeet – Kulmansäätöpainikkeet

- Kulmansäätöpainikkeiden arvoiksi on määritetty 2, 4, 6, 8, 10, 12.
- Esimerkki käytettäessä juoksumattoa juoksumattotilassa. Kulma muuttuu mistä tahansa kulmasta arvoon 6, kun kulmansäätöpainiketta 6 painetaan.

### Oikean käden kahvan Speed / Sled - Start (nopeus/kelkka) – aloita

Toiminto on sama kuin "Start" (aloita) -painikkeella, joka sijaitsee pääpainikelevyssä.

### Oikean käden kahvan Speed / Sled (nopeus/kelkka) – miinus

- Vähentää nopeutta (0,5–20,0 km/h).
- Yksi painallus vähentää nopeutta 0,1 km/h.
- Painamalla ja pitämällä pohjassa kahden sekunnin ajan voi pienentää nopeutta nopeammin.
- Muuta arvoja ohjelmointitilassa.

### Oikean käden kahvan Speed / Sled (nopeus/kelkka) – plus

- Lisää nopeutta (0,5–20,0 km/h).
- Yksi painallus lisää nopeutta 0,1 km/h.
- Painamalla ja pitämällä pohjassa kahden sekunnin ajan voi kasvattaa nopeutta nopeammin.
- Muuta arvoja ohjelmointitilassa.

### Oikean käden kahvan Speed / Sled (nopeus/kelkka) – säätöpainikkeet

- "Speed / Sled" (nopeus/kelkka) -painikkeiden arvoiksi on määritetty 3, 6, 9, 12, 15, 18.
- Esimerkki käytettäessä juoksumattoa juoksumattotilassa. Nopeus muuttuu mistä tahansa nopeudesta arvoon 9 km/h, kun nopeudensäätöpainiketta 9 painetaan.

## Tiettyt kelkkatilan painikkeiden toiminnot

### Kahvan Speed / Sled (nopeus/kelkka) – miinus

- Pienentää kelkan vastusta (1–100 %).
- Yksi painallus pienentää vastusta 1 %:lla.
- Painamalla ja pitämällä pohjassa kahden sekunnin ajan voi pienentää vastusta nopeammin.
- Selaa ohjelmia ja muuta arvoja ohjelmointitilassa.

### Kahvan Speed / Sled (nopeus/kelkka) – plus

- Suurena kelkan vastusta (1–100 %).
- Yksi painallus suurentaa vastusta 1 %:lla.
- Painamalla ja pitämällä pohjassa kahden sekunnin ajan voi kasvattaa vastusta nopeammin.
- Selaa ohjelmia ja muuta arvoja ohjelmointitilassa.

### Kahvan Speed / Sled (nopeus/kelkka) – säätöpainikkeet

Kun juoksumatto on asetettu kelkkatilaan, säätöpainikkeet on ohjelmoitu seuraavasti:

Pikapainike 3	15 %	Pikapainike 12	60 %
Pikapainike 6	30 %	Pikapainike 15	75 %
Pikapainike 9	45 %	Pikapainike 18	90 %

- Pikapainiketta painettaessa vastus asettuu välittömästi aloitusvastukseen.
- Esimerkki: kun juoksumattoa käytetään kelkkatilassa ja painiketta 9 painetaan, vastus muuttuu suoraan arvoon 45 %.

## Tiettyt nopeuden rajoitus -tilan painikkeiden toiminnot

### Kahvan Speed / Sled (nopeus/kelkka) – miinus

- Vähentää nopeutta (0,1–2,5 km/h).
- Yksi painallus vähentää nopeutta 0,1 km/h.
- Painamalla ja pitämällä pohjassa kahden sekunnin ajan voi pienentää nopeutta nopeammin.

### Kahvan Speed / Sled (nopeus/kelkka) – plus

- Lisää nopeutta (0,1–2,5 km/h).
- Yksi painallus lisää nopeutta 0,1 km/h.
- Painamalla ja pitämällä pohjassa kahden sekunnin ajan voi kasvattaa nopeutta nopeammin.

### Kahvan Speed / Sled (nopeus/kelkka) – säätöpainikkeet

Kun juoksumatto on asetettu nopeuden rajoitus -tilaan, säätöpainikkeet on ohjelmoitu seuraavasti:

Pikapainike 3	0,6	Pikapainike 12	1,5
Pikapainike 6	0,9	Pikapainike 15	1,8
Pikapainike 9	1,2	Pikapainike 18	2,1

- Pikapainiketta painettaessa nopeus asettuu välittömästi aloitusnopeuteen.
- Esimerkki käytettäessä juoksumattoa nopeuden rajoitus -tilassa. Nopeus muuttuu mistä tahansa nopeudesta arvoon 1,2 km/h, kun nopeudensäätöpainiketta 9 painetaan.

## Tiettyt taaksepäin-tilan painikkeiden toiminnot

### Kahvan Speed / Sled (nopeus/kelkka) – miinus

- Vähentää nopeutta (0,1–2,5 km/h).
- Yksi painallus vähentää nopeutta 0,1 km/h.
- Painamalla ja pitämällä pohjassa kahden sekunnin ajan voi pienentää nopeutta nopeammin.

### Kahvan Speed / Sled (nopeus/kelkka) – plus

- Lisää nopeutta (0,1–2,5 km/h).
- Yksi painallus lisää nopeutta 0,1 km/h.
- Painamalla ja pitämällä pohjassa kahden sekunnin ajan voi kasvattaa nopeutta nopeammin.

## Kahvan Speed / Sled (nopeus/kelkka) – säätöpainikkeet

Kun juoksumatto on asetettu taaksepäin-tilaan, säätöpainikkeet on ohjelmoitu seuraavasti:

Pikapainike 3	0,6	Pikapainike 12	1,5
Pikapainike 6	0,9	Pikapainike 15	1,8
Pikapainike 9	1,2	Pikapainike 18	2,1

- Pikapainiketta painettaessa nopeus asettuu välittömästi aloitusnopeuteen.
- Esimerkki käytettäessä juoksumattoa taaksepäin-nopeustilassa. Nopeus muuttuu mistä tahansa nopeudesta arvoon 1,2 km/h, kun nopeudensäätöpainiketta 9 painetaan.

## Näytön kohtien selitykset

### Pistematriisi

Pistematriisi näyttää ohjelmaprofiilin kahdessa osassa.

- Ensimmäiset 10 riviä tarkoittavat kulma-asetusta.
- Toiset 10 riviä tarkoittavat nopeusasetusta juoksumattotilassa.
- Kelkan intensiteetti kelkkatilassa.
- Näyttää parametritiedot ohjelmointitilassa.

### Incline (kulma)

- Näyttää juoksumaton tämänhetkisen kulman harjoittelutilassa.
- Näyttää tavoitekulman ohjelmointitilassa.

### Speed / Sled (nopeus/kelkka)

Speed / Sled (nopeus/kelkka) on jaettu ikkuna, jossa on erilaiset toiminnot juoksumaton tilasta riippuen.

Kun juoksumatto on juoksumattotilassa (myös nopeuden rajoitus ja taaksepäin-nopeus).

- Näyttää juoksumaton tämänhetkisen nopeuden km/h-arvona.
- Näyttää tavoitenopeuden ohjelmointitilassa.

Kun juoksumatto on kelkkatilassa.

- Näyttää juoksumaton senhetkisen vastuksen %-arvona kelkkatilassa.
- Näyttää tavoitenopeuden juoksumattotoimintojen ohjelmointitilassa.

### Heart rate (syke)

- Näyttää mitatun sykkeen harjoittelutilassa tai kirjaimen "P" silloin, kun sykettä ei mitata.

### Seurantapalkki

Seurantapalkki näyttää tietoja tai ohjeita, jotka ohjaavat käyttäjiä toimimaan oikein juoksumaton ollessa valmiustilassa.

### Seurantapalkki – Program (ohjelma) -osa

- Näyttää ohjelmavalinnan ohjelmointitilassa.
- Näyttää "-- --" harjoittelutilassa.

### Seurantapalkki – Cal/Watt (kalorit/watit) -osa

- Näyttää kulutetut kilokalorit harjoittelutilassa.
- Näyttää jäljellä olevat kilokalorit tavoitekalorien tilassa.
- Näyttää tavoitekilokalorit ohjelmointitilassa.
- Näyttää wattiarvon kelkkatilassa.

### Seurantapalkki – Distance (matka) -osa

- Näyttää juostun matkan harjoittelutilassa.
- Näyttää jäljellä olevan matkan tavoitematkan tilassa.
- Näyttää tavoitematkan ohjelmointitilassa.

### Seurantapalkki – Time (aika) -osa

- Näyttää tähänastisen juoksuajan harjoittelutilassa.
- Näyttää jäljellä olevan ajan tavoiteajan tilassa.
- Näyttää tavoiteajan ohjelmointitilassa.

## Seurantapalkki – User (käyttäjä) -osa

- Näyttää käyttäjävalinnan ohjelmointitilassa.
- Näyttää "-- --" harjoittelutilassa.

## Näytön piippauksen selitys

Mittari on suunniteltu siten, että se ilmoittaa asioista käyttäjälle piippaamalla.

Tämä kertoo käyttäjälle tarpeellisesta muutoksesta, joka tekee harjoittelusta turvallisempaa.

Mittari ilmoittaa käyttäjälle seuraavista tilanteista:

- Painikkeen painamisesta.
- Ennalta asetetun tavoitteen saavuttamisesta.
- Nopeuden tai kulman tai valitun ohjelman muutoksesta.

## USB-toiminto

Käyttäjä voi liittää laitteensa latautumaan harjoittelun ajaksi.

Jännite/virta: 5 V DC / 1,0 A

## Mittarin toiminta

### Pika-aloitus

- Paina "Start / Pause" (aloita/keskeytä) -painiketta aloittaaksesi harjoituksesi ilman ennalta määritettyjä asetuksia.
- Juoksumatto käynnistyy 0,8 km/h:n vähimmäisnopeudella ja säilyttää nykyisen kulma-asetuksen.
- Voit milloin tahansa säätää nopeutta/kulmaa halutessasi muuttaa harjoitustasi, ja voit myös lopettaa/keskeyttää harjoituksen milloin tahansa.

### Harjoituksen lopettaminen tai keskeyttäminen

- Voit keskeyttää harjoituksesi milloin tahansa painamalla kerran "Stop / Pause" (pysäytä/keskeytä) -painiketta. Näytössä näkyy "PAUSE", kun harjoitus on keskeytystilassa. Keskeytyksen enimmäisaika on 4 min 30 s.
- Jatka harjoittelua "PAUSE"-tilan jälkeen painamalla "Start / Pause" (aloita/keskeytä) -painiketta.
- Keskeytä harjoittelu painamalla kerran "STOP" (pysäytä) -painiketta.
- Painamalla kahdesti "STOP" (pysäytä) -painiketta lopetat harjoittelun ja asetat mittarin "nollaus / ohjelman valinta" -tilaan.

## Kelkkaohjelmat

Kelkkaohjelman asettamiseksi juoksumaton on oltava "nollaus / ohjelman valinta" -tilassa.

Aseta juoksumatto nollaustilaan painamalla "Stop" (pysäytä) -painiketta kahdesti.

### ⚠ HUOMAUTUS

- Mittari tallentaa viimeksi käyttämäsi asetuksen muistiin haluamaksesi asetukseksi ja käyttää sitä oletusarvona ohjelmointitilassa.

## Juoksumaton kelkkatoiminto

Kun käytät juoksumattoa kelkkatilassa, juoksumatto vaihtaa kävely-/juoksuharjoituksen kelkkyntöharjoitukseksi.

Tässä tilassa käyttäjän on saatava matto liikkeelle työntövoimalla ja maton vastusta voidaan lisätä prosentteina harjoituksen tehostamiseksi.

## Goal Distance (tavoitematka)

- Voit valita tavoitematkaohjelman painamalla Goal Distance (tavoitematka) -painiketta.
- Näytössä näkyy oletusarvoisesti matka "50" tai viimeisin asetettu tavoite, koska se tallentaa viimeksi asettamasi matkan muistiin haluamaksesi tavoitteeksi.
- Aseta haluamasi tavoite "plus tai miinus" -painikkeilla.  $\pm 100$  m. Alue: 50–9000 m.
- Aloita laskenta alaspäin painamalla Start (aloita) -painiketta ja aloita harjoitus työntämällä juoksumatto liikkeelle.
- "Speed / Sled" (nopeus/kelkka) – plus/miinus -painikkeilla voidaan myös lisätä tai vähentää vastusta.
- Harjoitus päättyy, kun saavutit ennalta asetetun tavoitematkasi.

## Goal Time (tavoiteaika)

- Voit valita tavoiteaikaohjelman painamalla Goal Time (tavoiteaika) -painiketta.
- Näytössä näkyy oletusarvoisesti aika "30 s" tai viimeisin asetettu tavoite, koska se tallentaa viimeksi asettamasi ajan muistiin haluamaksesi tavoitteeksi.
- Aseta haluamasi tavoite "plus tai miinus" -painikkeilla.  $\pm 5$  s. Alue: 5–990 s.
- Aloita laskenta alaspäin painamalla Start (aloita) -painiketta ja aloita harjoitus työntämällä juoksumatto liikkeelle.
- "Speed / Sled" (nopeus/kelkka) – plus/miinus -painikkeilla voidaan myös lisätä tai vähentää vastusta harjoittelun aikana.
- Harjoitus päättyy, kun saavutit ennalta asetetun tavoiteaikasi.

## Manual (manuaalinen)

- Valitse manuaaliohjelma painamalla Manual (manuaalinen) -painiketta.
- Näytössä näkyy oletusarvoisesti "10 %" asetettuna aikatavoiteena.
- Aseta harjoitukselle haluamasi aloitusvastus "Speed / Sled" (nopeus/kelkka) – plus/miinus -painikkeilla.  $\pm 1$  % Alue: 1–100 %.
- Aloita laskenta alaspäin painamalla Start (aloita) -painiketta ja aloita harjoitus työntämällä juoksumatto liikkeelle.
- "Speed / Sled" (nopeus/kelkka) – plus/miinus -painikkeilla voidaan myös lisätä tai vähentää vastusta harjoittelun aikana.
- Harjoitus päättyy, kun käyttäjä lopettaa harjoituksen manuaalisesti.

## Custom (mukautettu)

Käytettävissä on viisi mukautettua ohjelmaa:

C1, C2, C3, C4 ja C5. Nämä ohjelmat voi määrittää vapaasti käyttäjän mieltymysten mukaan.

- Valitse mukautettu ohjelma painamalla Custom (mukautettu) -painiketta.
- Näytössä näkyy oletusarvoisesti C1. Valitse haluamasi ohjelma C1–C5 painamalla "Custom" (mukautettu) -painikkeita ja vahvista painamalla Enter-painiketta.
- Aseta haluamasi vaiheiden määrä profiilissasi. Näytössä näkyy valitun ohjelman oletusarvo. Aseta vaiheiden määrä "plus tai miinus" -painikkeilla. Alue: 2–12 ( $\pm 1$ ). Vahvista painamalla Enter-painiketta.
- Aseta "intervalli", joka tarkoittaa aktiivista kelkan toiminta-aikaa kussakin vaiheessa. Heart rate (syke) -näytössä näkyy oletusarvoisesti 15 (aika sekunteina). Aseta lepoaika sekunteina "plus tai miinus" -painikkeilla. Alue: 15–120 ( $\pm 15$ ). Vahvista painamalla Enter-painiketta.

- Aseta "lepoaika", joka on keskeytysaika kelkkaharjoituksen vaiheiden välillä. Heart rate (syke) -ikkunassa näkyy oletusarvoisesti 15 (aika sekunteina). Aseta lepoaika sekunteina "plus tai miinus" -painikkeilla. Alue: 15–120 ( $\pm 15$ ). Vahvista painamalla Enter-painiketta.
- Aseta harjoittelutilan vastustaso. Näytössä näkyy oletusarvoisesti 10 %. Aseta mukautetun harjoituksen ensimmäisen vaiheen haluttu vastustaso "Speed / Sled" (nopeus/kelkka) – plus/miinus -painikkeilla. Alue: 1–100 % ( $\pm 1$ ). Aseta kaltevuustaso ja vahvista painamalla Enter-painiketta. Näytössä näkyy oletusarvoisesti 0 (aika sekunteina). Aseta lepoaika sekunteina "Incline" (kulma) plus/miinus -painikkeilla. Aseta mukautetun harjoituksen ensimmäisen vaiheen haluttu kaltevuustaso "Incline" (kulma) plus/miinus -painikkeilla. Alue: 0–15 ( $\pm 1$ ).
- Määritä mukautetun harjoituksen kaikkien vaiheiden asetukset samalla tavalla.
- Aloita harjoitus painamalla "Start" (aloita) -painiketta.

## ⚠ HUOMAUTUS

- Asetukset tallennetaan automaattisesti.
- Asetuksia voi muuttaa valitsemalla saman ohjelman ja tekemällä halutut muutokset.

## Strength Test (voimatesti)

Voimatestiohjelmalla mitataan käyttäjän maksimivoima.

- Valitse voimatestiohjelma painamalla Strength Test (voimatesti) -painiketta.
- Näytössä näkyy oletusarvoinen aikatavoite.
- Aseta haluamasi tavoite "plus tai miinus" -painikkeilla.  $\pm 30$  s. Alue: 30–120 s.
- Aloita harjoitus painamalla "Start" (aloita) -painiketta. Laite tuottaa 100 %:n vastuksen. Käyttäjän täytyy tehdä parhaansa saadakseen juoksumaton liikkeelle niin nopeasti kuin mahdollista. Reaaliaikaiset parametrit näkyvät testin aikana näytössä.
- Kun asetettu tavoiteaika on saavutettu, mittari näyttää testituloksen kokonaismatkana ja keskimääräisenä vastuksena laskettuna testin kokonaiskeston ajalta.

## Juoksumatto-ohjelmat

Kun juoksumattoa käytetään juoksumattotilassa, juoksumatto käyttää sisäistä moottoria juoksumaton nopeuden ohjaamiseen. Tämä on tavanomaisen juoksumaton vakioitoiminto.

Juoksumatto-ohjelman asettamiseksi juoksumaton on oltava "nollaus / ohjelman valinta" -tilassa.

Aseta juoksumatto nollaustilaan painamalla "Stop" (pysäytä) -painiketta kahdesti.

## ⚠ HUOMAUTUS

- Mittari tallentaa viimeksi käyttämäsi asetuksen muistiin haluamaksesi asetukseksi ja käyttää sitä oletusarvona ohjelmointitilassa.

- Valitse rajoitustilaohjelma painamalla Limit Mode (rajoitustila) -painiketta.
- Aloita harjoitus painamalla "Start" (aloita) -painiketta.
- Juoksumatto käynnistyy 0,1 km/h:n nopeudella.
- "Speed / Sled" (nopeus/kelkka) – plus/miinus -painikkeilla voidaan muuttaa harjoitusnopeutta milloin tahansa.  
± 0,1 km/h Alue: 0,1–2,5 km/h.
- Harjoitus päättyy, kun käyttäjä lopettaa harjoituksen manuaalisesti.

### Ohjelmat P1–P5

Ennalta ohjelmoituja ohjelmia on kymmenen.

- Ohjelmat P1–P3 ovat nopeusohjelmia.
- Ohjelmat P4–P5 ovat yhdistettyjä nopeus- ja kulmaohjelmia.
- Katso: Kuvasta P1–P5 näet juoksumatto-ohjelman P1–P5 sisällön.

- Valitse rajoitustilaohjelma painamalla P1–P5-painiketta.
- Valitse haluamasi ohjelma "P1–P5"-painikkeilla.
- Näytössä näkyy matka P1 oletusarvoisena ohjelmassa.
- Valitse haluamasi ohjelma "P1–P5"-painikkeilla: P1–P5.
- Vahvista painamalla Enter-painiketta.
- Valitse haluamasi ohjelmataso "plus tai miinus" -painikkeilla.
- Näytössä näkyy .L1 oletusarvoisena ohjelmatasona.
- Valitse haluamasi taso "plus tai miinus" -painikkeilla: L1–L4.
- Vahvista painamalla Enter-painiketta.
- Aloita harjoitus painamalla "Start" (aloita) -painiketta.
- Harjoitus päättyy, kun ohjelman loppu saavutetaan.

### P1–P5-ohjelman toiminta

- Ohjelman kestoksi on asetettu 36 minuuttia.
- Aina minuutin välein profiili siirtyy seuraavaan ohjelmavaiheeseen ja aloittaa alusta saavutettuaan lopun.
- Voit muuttaa nopeutta ja kulmaa milloin tahansa. Ohjelma poimii profiilin automaattisesti siirtyessään seuraavaan vaiheeseen.
- Harjoitus päättyy, kun ohjelman loppu saavutetaan.

### Ohjelmat P6–P10

Ennalta ohjelmoituja ohjelmia on kymmenen.

- Ohjelmat P6–P10 ovat kulmaohjelmia.
- Katso: Kuvasta P6–P10 näet juoksumatto-ohjelman P6–P10 sisällön.

- Valitse rajoitustilaohjelma painamalla P6–P10-painiketta.
- Valitse haluamasi ohjelma "plus tai miinus" -painikkeilla.
- Näytössä näkyy matka P1 oletusarvoisena ohjelmassa.
- Valitse haluamasi ohjelma "plus tai miinus" -painikkeilla: P6–P10.
- Vahvista painamalla Enter-painiketta.
- Valitse haluamasi ohjelmataso "plus tai miinus" -painikkeilla.
- Näytössä näkyy .L1 oletusarvoisena ohjelmatasona.
- Valitse haluamasi taso "plus tai miinus" -painikkeilla: L1–L4.
- Vahvista painamalla Enter-painiketta.
- Aloita harjoitus painamalla "Start" (aloita) -painiketta.

### P6–P8-ohjelman toiminta

- Ohjelman kestoksi on asetettu 36 minuuttia.
- Aina minuutin välein profiili siirtyy seuraavaan ohjelmavaiheeseen ja aloittaa alusta saavutettuaan lopun.
- Voit muuttaa nopeutta ja kulmaa milloin tahansa. Ohjelma poimii profiilin automaattisesti siirtyessään seuraavaan vaiheeseen.
- Harjoitus päättyy, kun ohjelman loppu saavutetaan.

### P9–P10-ohjelman toiminta

- Ohjelman kestoksi on asetettu 5 km P9-ohjelmassa ja 10 km P10-

- ohjelmassa.
- Aina 200 metrin välein profiili siirtyy seuraavaan ohjelmavaiheeseen ja aloittaa alusta saavutettuaan lopun.
- Voit muuttaa nopeutta ja kulmaa milloin tahansa.
- Harjoitus päättyy, kun ohjelman loppu saavutetaan.

### User (käyttäjä)

- Valitse/määritä käyttäjäohjelma painamalla "User" (käyttäjä) -painiketta.
- Näytössä näkyy oletusarvoisesti U1.
- Valitse haluamasi käyttäjä "User" (käyttäjä) -painikkeilla: U1–U5.
- Vahvista painamalla Enter-painiketta.

### Käyttäjätietojen asettaminen

- Aseta sukupuoli, näytössä näkyy (mies) tai (nainen).
- Valitse oikea sukupuoli "plus tai miinus" -painikkeilla ja vahvista painamalla Enter-painiketta.
- Näytössä näkyy Age (ikä), jotta voit asettaa ikäsi.
- Näytössä näkyy oletusarvoisesti 30 tai viimeisin asetettu ikä.
- Aseta oikea ikä "plus tai miinus" -painikkeilla.  
± 1 Alue: 15–80 vuotta. Vahvista painamalla Enter-painiketta.
- Näytössä näkyy Height (pituus), jotta voit asettaa pituutesi.
- Näytössä näkyy oletusarvoisesti 170 (cm) tai viimeisin asetettu pituus.
- Aseta oikea pituus "plus tai miinus" -painikkeilla.  
± 1 Alue: 100–220 (cm). Vahvista painamalla Enter-painiketta.
- Näytössä näkyy Weight (paino), jotta voit asettaa painosi.
- Näytössä näkyy oletusarvoisesti 75 (kg) tai viimeisin asetettu paino.
- Aseta oikea paino "plus tai miinus" -painikkeilla.  
± 1 Alue: 30–150 (kg). Vahvista painamalla Enter-painiketta.
- Pulse (syke) -ikkunassa näkyy henkilökohtainen BMI eli painoindeksi asetettujen käyttäjäparametrien perusteella.

### Käyttäjäohjelmaprofiilin asettaminen

- Avaa käyttäjäohjelmaprofiili asetusvalikko painamalla Enter-painiketta.
- Heart rate (syke) -näytössä näkyy 1, jotta voit määrittää nopeus- ja kulma-asetukset profiilisi ensimmäiselle vaiheelle kahdestatoista vaiheesta.
- Aseta käyttäjäohjelman ensimmäisen vaiheen haluttu nopeusasetus Speed Up / Down (lisää/vähennä nopeutta) -painikkeilla.
- Aseta käyttäjäohjelman ensimmäisen vaiheen haluttu kulma-asetus Incline Up / Down (lisää/vähennä kulmaa) -painikkeilla.
- Vahvista painamalla Enter-painiketta.
- Heart rate (syke) -näytössä näkyy 2.
- Aseta kaikki ohjelmaprofiilisi kaksitoista vaihetta.
- Näytössä näkyy aikatavoite "35" min. Muuta aikatavoitetta painikkeilla -/+ . ± 1 Alue: 1–99
- Aloita harjoittelu painamalla "Start" (aloita) -painiketta.

### HRC (sykeohjattu)

#### ⚠ Huomautus

- Ehdotettu syke perustuu käyttäjän maksimisykkeeseen, joka on laskettu käyttäjän iän perusteella seuraavasti: 220 – ikä.
- Pienin HR-asetus on 50 % käyttäjän maksimisykkeestä.
- Suurin HR-tavoiteasetus on 100 % käyttäjän maksimisykkeestä.
- Valitse sykeohjattu ohjelma painamalla "HRC" (sykeohjattu) -painiketta.
- Aseta käyttäjän ikä "plus tai miinus" -painikkeilla, vahvista painamalla Enter-painiketta.
- Aseta haluttu syketavoite "plus tai miinus" -painikkeilla, vahvista Enter-painikkeilla. (Maksimiraja määräytyy asetetun iän mukaan (220 – ikä).)

- Aloita harjoitus painamalla "Start" (aloita) -painiketta.
- Harjoitus pysähtyy 30 minuutin laskennan jälkeen.

Juoksumatto pysähtyy  $\pm 30$  sekunnin kuluttua, jos sykettä ei saatu.

### Goal Training (tavoiteharjoittelu)

- Tavoiteharjoitteluohjelmia on kolme:  
Goal Distance (tavoite matka), Goal Time (tavoite aika), Goal Calories (tavoitekalorit).

Paina Goal Training (tavoiteharjoittelu) -painiketta kahdesti, jolloin avautuu: Goal Time (tavoite aika).

Paina Goal Training (tavoiteharjoittelu) -painiketta kolme kertaa, jolloin avautuu: Goal Calories (tavoitekalorit).

### Goal Distance (tavoite matka)

- Paina Goal Training (tavoiteharjoittelu) -painiketta kerran, jolloin avautuu: Goal Distance (tavoite matka).
- Näytössä näkyy oletusarvoisesti matka "0,1" (km) tai viimeisin asetettu tavoite, koska se tallentaa viimeksi asettamasi matkan muistiin haluamaksesi tavoitteeksi.  
Aseta haluamasi tavoite "plus tai miinus" -painikkeilla.  
 $\pm 0,1$  km Alue: 0,1–99,9 km.  
Säädä  $\pm 1,0$  km nopeasti painamalla ja pitämällä pohjassa "plus tai miinus" -painiketta.
- Aloita harjoitus painamalla "Start" (aloita) -painiketta.
- Harjoitus päättyy, kun asetettu tavoite matka on saavutettu.

### Goal Time (tavoite aika)

- Paina Goal Training (tavoiteharjoittelu) -painiketta kahdesti, jolloin avautuu: Goal Time (tavoite aika).
- Näytössä näkyy oletusarvoisesti aika "1" (min) tai viimeisin asetettu tavoite, koska se tallentaa viimeksi asettamasi ajan muistiin haluamaksesi tavoitteeksi.  
Aseta haluamasi tavoite "plus tai miinus" -painikkeilla.  
 $\pm 1$  min. Alue: 1–99 min.  
Säädä  $\pm 1$  min nopeasti painamalla ja pitämällä pohjassa "plus tai miinus" -painiketta. Aloita harjoitus painamalla "Start" (aloita) -painiketta.
- Harjoitus päättyy, kun asetetut tavoitekalorit on saavutettu.

### Goal Calories (tavoitekalorit)

- Paina Goal Training (tavoiteharjoittelu) -painiketta kolme kertaa, jolloin avautuu: Goal Calories (tavoitekalorit).
- Näytössä näkyy oletusarvoisesti kalorit "10" (kcal) tai viimeisin asetettu tavoite, koska se tallentaa viimeksi asettamasi kalorit muistiin haluamaksesi tavoitteeksi.  
Aseta haluamasi tavoite "plus tai miinus" -painikkeilla.  
 $\pm 1$  kcal. Alue: 10–999 kcal.  
Paina ja pidä pohjassa "plus tai miinus" -painiketta, niin saat säädettyä  $\pm 10$  kcal.
- Aloita harjoitus painamalla "Start" (aloita) -painiketta.
- Harjoitus päättyy, kun asetetut tavoitekalorit on saavutettu.

### Backward Walking (taaksepäin käveleminen)

Taaksepäin kävelemisen toiminto asettaa juoksumaton taaksepäin liikkeeseen. Voit tehdä sen avulla taaksepäin kävelemisen harjoituksen.

Voit myös kääntyä ympäri ja käyttää tätä toimintoa kävelläksesi eteenpäin suurella kulma-asetuksella.

- Valitse taaksepäin kävelemisen ohjelma painamalla Backward Walking (taaksepäin käveleminen) -painiketta.
- Aloita harjoitus painamalla "Start" (aloita) -painiketta.
- Juoksumatto käynnistyy 0,1 km/h:n nopeudella taaksepäin.
- "Speed / Sled" (nopeus/kelkka) – plus/miinus -painikkeilla voidaan muuttaa harjoitusnopeutta milloin tahansa.  
 $\pm 0,1$  km/h Alue: 0,1–2,5 km/h.
- Harjoitus päättyy, kun käyttäjä lopettaa harjoituksen manuaalisesti.

### Sovellus & Bluetooth

- Tämä konsoli voi muodostaa yhteyden älylaitteen sovellukseen Bluetoothin välityksellä. (iOS & Android)
- Luo Bluetooth-yhteys vain asennetun APP-yhteystilan avulla älykkäässä laitteessa.

### ⚠️ HUOM

- Tunturi ainoastaan tarjoaa mahdollisuuden yhdistää kuntolaite Bluetooth-yhteyden välityksellä. Tunturi ei siten ole vastuussa muiden kuin Tunturi-tuotteiden vahingoista tai toimintahäiriöistä.
- Tarkista verkkosivuilla lisätietoja.

### Puhdistus ja huolto

#### ⚠️ VAROITUS

- Kuntokeskuslaitteesi tarvitsee kuukausittaista huoltoa, vaikka sitä ei käytettäisi.
- Poista pistoke pistorasiasta ennen puhdistusta ja huoltoa.
- Älä käytä liuottimia laitteen puhdistukseen.

- Älä peitä tuuletusaukkoja. Pidä tuuletusaukot puhtaana pölystä, liasta ja muista esteistä.
- Puhdista laite pehmeällä, imukykyisellä kankaalla jokaisen käytön jälkeen.
- Puhdista laitteen näkyvät osat pölynimurilla käyttäen pientä imupäätä.
- Tarkista säännöllisesti kaikkien ruuvien ja mutterien olevan tiukasti kiinni.

#### ⚠️ HUOMIO

- Suosittelemme käyttämään juoksumatolla vain sisäkenkiä. Jos sinulla ei ole näitä, suosittelemme tarkistamaan jalkineiden pohjat ennen niiden käyttöä juoksumatolla varmistaaksesi niiden puhtauden, sillä juoksumatto ei kestä ulkoa tulevaa likaa.

### Peruspuhdistus

Lika, pöly ja lemmikkieläinten karvat voivat tukkia laitteen ilma-aukot ja kerääntyä mattoon. Estä epäpuhtauksien kerääntyminen imuroimalla kuukausittain kuntolaitteen alta.

IRROTA ENSIN VERKKOJOHDON PISTOKE PISTORASIESTA

### Matolle kertyvä pöly

Pölyä esiintyy tavanomaisen käyttöönoton aikana tai siihen asti kun matto vakautuu. Pyyhi mattoon mahdollisesti kerääntyvä pöly pois kevyesti kostutetulla liinalla.

## Matto ja juoksualusta

Juoksumatossa on hyvin tehokas alhaisen kitkan juoksualue. Suorituskyky voidaan maksimoida pitämällä juoksualusta niin puhtaana kuin mahdollista. Lika ja pölyhiukkaset juoksualustan ja juoksuhihnan välillä vahingoittavat juoksualustan pintaa, mikä vaikuttaa suorituskykyyn ja tuotteen käyttöikään.

### Ohjeet juoksualustan puhdistamiseen

Pyyhi pehmeällä ja kuivalla liinalla hihnan reunat sekä maton reunojen ja rungon välinen alue. Yritä kurkottaa myös hihnan reunojen alle poistaaksesi myös reunoihin kertyneen lian.

### Ohjeet juoksumaton pinnan puhdistamiseen

Poista ensin irtohiukkaset hihnan pinnalta nylonisella hankausharjalla. Käytä sen jälkeen kuivaksi väännettyä kosteaa liinaa (ei puhdistusaineita tai hankausaineita) pintakuvioitun hihnan yläosan hellävaraiseen puhdistamiseen. Anna hihnan kuivua ennen käyttöä.

### !! HUOMAUTUS

- Kun hihna on liian likainen puhdistettavaksi pelkällä vedellä, voit käyttää mietoa saippuaa, mutta ei koskaan voiteluainetta tai liuotinta.
- Estä aina liuoksen pääsy juoksualustan ja hihnan väliin.

Tämä pitäisi tehdä säännöllisin väliajoin hihnan ja juoksualustan käyttöä pidentämiseksi.

## Voitelu (kuva F-6)

### ⚠ HUOMAUTUS

- Juoksumaton matto on voideltu ennen sen asentamista juoksumattoon laitteen tuotannon aikana. Siksi mattoa ei tarvitse voidella, kun se otetaan ensimmäisen kerran käyttöön.

Juoksuhihnan voitelutilanne on tarkistettava säännöllisin väliajoin. Siksi juoksumatossa on toiminto, joka muistuttaa asiasta 300 km välein. "HARJOITUSAIKAIKKUNAAN" tulee teksti "OIL" (voitelu), ja laite muistuttaa toistamalla äänimerkin 10 sekunnin välein. Noudata alla olevaa tarkistusmenettelyä ja poista "OIL" (voitelu) -teksti ja äänimerkki painamalla "STOP" (lopeta) -painiketta vähintään kolmen sekunnin ajan varoitussignaalin aikana.

### ⚠ VAROITUS

- Poista virtajohdon pistoke pistorasiasta ennen voitelua.

### ⚠ HUOMAUTUS

- Suosittelemme tarkistamaan juoksumaton voitelun vähintään kerran kuukaudessa, sillä muutkin tekijät kuin aika voivat vaikuttaa voiteluolosuhteisiin.
- Voitele juoksumatto vain tarvittaessa. Jos laitat liikaa voiteluainetta, juoksumatto lipsuu herkästi kitkan puuttumisesta johtuen.
- Seiso vakaasti juoksumatolla.
- Pidä kiinni etukäsituesta ja työnnä juoksumattoa jaloillasi niin, että se liukuu edestakaisin. Juoksumaton on liikuttava pehmeästi ja tasaisesti ääntä pitämättä.
- Jos juoksumatto ei liiku pehmeästi ja tasaisesti tai, jos juoksumatto ei liiku ollenkaan, kosketa juoksumaton alapuolta sormenpäilläsi voitelun tarkistamiseksi:
  - Jos tunnet voiteluaineen tai sormesi ovat kiiltävät, juoksumatossa on riittävästi voiteluainetta.
  - Jos et tunne voiteluainetta, tai sormenpäisi ovat pölyiset tai ne tuntuvat karkeilta, laita voiteluainetta (±10 ml.) keskelle juoksumatton juoksumaton alle ja anna laitteen käydä 5 km/h nopeudella vähintään 5 minuuttia.

- Älä taita laitetta voitelun jälkeen ennen kuin olet suorittanut 2 minuutin harjoituksen vähintään 5 km/h nopeudella. Tämä saa voiteluaineen täysin imeytymään hihnaan ja leviämään tasaisesti.

### ⚠ HUOMAUTUS

- Jos 5 km/h on sinulle liian nopea vauhti, kävele haluamallasi nopeudella, mutta pidennä kestoja vähintään 5 minuuttiin.



Katso YouTube-ohjevideomme napsauttamalla <https://youtu.be/ceaOYnofY5k>

## Maton säädöt

Juoksumaton hyvä toiminta riippuu siitä, lepääkö runko riittävän tasaisella alustalla. Jos runko ei ole aivan vaakasuorassa, etu- ja takatela eivät pyöri tasaisesti, ja matto tarvitsee toistuvasti säätämistä.

Juoksumatto on suunniteltu siten, että matto pysyy riittävän keskellä käytön aikana. On aivan normaalia, että jotkut matot kulkeutuvat kohti toista laitaa, jos käynnissä olevassa laitteessa ei ole harjoittelijaa. Kun laitetta on käytetty muutama minuutti, maton kuuluu kuitenkin keskittyä itsestään. Jos matto siirtyy käytön aikana jatkuvasti toiseen laitaan, sitä on säädettävä.

### POIKKEUS:

Kun juoksumattoa käytetään kuntoutukseen, ja kuntoutuja käyttää jompaakumpaa jalkaa toista jalkaa voimakkaammin, matto saattaa siirtyä toiseen laitaan. Tällaisessa tapauksessa mattoa ei pidä säätää. Sitä tulisi säätää vasta, jos matto ei tavallisessakaan harjoittelukäytössä keskity itsestään.

### Hihnan kireyden säätö

Maton kireyden säätö - Kireys säädetään takatilasta. Säätöruuvit sijaitsevat reunalevyjen päätysuojuksissa mukaisesti.

- Takatelan ruuveja on kiristettävä (myötäpäivään) vain sen verran, että etutela ei enää luista. Kierrä kumpaakin kireydensäätöruuvia 1/4 kierroksen askelissa ja tarkista välillä maton kireys kävelemällä matolla alhaisessa nopeudessa, varmistaen että matto ei luista. Jatka säätöruuvien kiristämistä, kunnes matto ei enää luista.
- Jos matto tuntuu sinusta riittävän kireältä mutta se luistaa edelleen, ongelma voi johtua siitä, että etusuojuksen alla sijaitseva moottorin käyttöhihna on löysällä.
- Älä Kiristä Liikaa: Liiallinen kiristäminen voi vahingoittaa mattoa ja aiheuttaa laakerien ennenaikaisen vaurioitumisen.



Katso YouTube-ohjevideomme napsauttamalla [https://youtu.be/pp4\\_4bL1MXo](https://youtu.be/pp4_4bL1MXo)

### Juoksuhihnan keskitys (kuva F-5)

Hihnan keskitys on tarpeen, kun hihna ei kulje juoksupinnan keskellä. Tämän huomaa helposti, kun sivualan ja hihnan välinen rako yhdellä puolella on huomattavasti suurempi kuin toisella puolella. Tämä voi johtua (jostain seuraavista):

#### SY 1

Työnnät yhdellä jalalla voimakkaammin harjoituksen aikana. Tämä aiheuttaa hihnan työntymisen sivuun, mutta korjaantuu automaattisesti, kun juoksumaton annetaan käydä kuormittamattomana muutaman minuutin ajan.

#### SY 2

Juoksumattosi ei ole vaakatasossa, jolloin painovoima vetää hihnaa hitaasti juoksumaton alimpaan päähän. Tämä on korjattava säätämällä juoksumatto oikein, koska tätä ei voida ratkaista millään muulla säädöllä.

## SYY 3

Hihnaa ei ole keskitetty oikein etu- ja takarullan rummun väliin. Tämä on korjattava säätämällä hihnan kulkua alla kuvatulla tavalla.

Voit säätää hihnan kulkua laitteen mukana toimitetulla kuusiokoloavaimella.

- Aseta juoksumatto  $\pm 5$  km/h nopeudelle, älä juokse sillä.
- Kun hihna vetää oikealle puolelle.  
Kierrä vasemman takarullan säätöpulttia, joka sijaitsee takana takarullan kannen kannassa, vastapäivään 1/4 kierrosta.
- Kun hihna vetää vasemmalle puolelle.  
Kierrä oikeanpuoleisen takarullan säätöpulttia, joka sijaitsee takana takarullan kannen kannassa, vastapäivään 1/4 kierrosta.
- Odota  $\pm 2$  minuuttia, jotta hihna ehtii reagoida säätöön, ennen kuin tarvittaessa toistat säätövaiheet halutun tuloksen saavuttamiseksi.

 HUOMAUTUS

- Muista, että pienellä säädöllä voi olla suuri ero, joten tee säädöt pienin välein kerrallaan.



Katso YouTube-ohjevideomme napsauttamalla <https://youtu.be/qx5AvTv00J4>

Matto saattaa vaatia säännöllistä keskitystä laitteen käytöstä ja harjoittelijan kävely- tai juoksutavasta riippuen. Eri käyttäjillä on erilainen vaikutus maton kulkuihin. On todennäköistä, että joudut jossakin vaiheessa säätämään maton keskitystä. Kun mattoa käytetään, säädöt tulevat tutuiksi ja niistä on vähemmän huolta. Maton keskittäminen on juoksumaton omistajan vastuulla kaikissa juoksumatoissa.

 HUOM

- Maton vahingoittuminen huonosti toteutetun keskityksen tai kireyden säädön seurauksena ei kuulu takuun piiriin.

**Käyttöhäiriöt**

Jatkuvasta laaduntarkkailusta huolimatta laitteessa saattaa esiintyä yksittäisistä komponenteista johtuvia yksilövikoja tai toimintahäiriöitä. Koko laitteen toimittaminen korjattavaksi on yleensä tarpeetonta, sillä vika on useimmiten korjattavissa ko. osan vaihdolla.

Mikäli laitteen toiminnassa ilmenee häiriöitä käytön aikana, ota välittömästi yhteys laitteen myyjään. Ilmoita laitteesi malli ja sarjanumero (sarjanumerotarran sijainnin näet tämän käyttöohjeen etukannen sisäpuolelta). Ilmoita lisäksi häiriön luonne, laitteen käyttöympäristö sekä ostopäivämäärä.

Mikäli tarvitset laitteeseesi varaosia, ota yhteys laitteen myyjään. Ilmoita aina laitteen malli, sarjanumero sekä tarvittavan osan varaosanumero. Varaosaluettelon löydät tämän oppaan lopusta. Laitteessa saa käyttää vain varaosalistassa mainittuja osia.

**Virhekoodit**

Jos näytöllä näkyy virhekoodi ("E" + numero), käynnistä laite uudelleen ja tarkista näkyvät virhekoodit edelleen näytöllä. Jos virhekoodi näkyy edelleen näytöllä, ota välittömästi yhteys jälleenmyyjään.

**Oil / Lubrication**

OIL ei ole virhekoodi, katso "Voitelu"

**Cracking or wringing sound at low speed**

When the running belt makes a cracking/ wringing noise when you put your body weight on the running belt during workout, the belt lubrication must be checked and most likely some lubricant is required. This problem mostly happens in the "Limit speed" mode or "Backward walking", as in these modes the running belt operation speeds can be set below 0.5 km/h.

See section "Lubrication" for more details on how to check and apply the lubricant status of your running belt.

**Kuljetus ja säilytys** VAROITUS

- Poista pistoke pistorasiasta ennen puhdistusta ja huoltoa.
- Vähintään kahden henkilön on kannettava ja siirrettävä laitetta.
- Varmista, ettei muita henkilöitä tai esineitä ole laitteen alla.

- Siirrä laitetta kuvan osoittamalla tavalla (kuva F7).
- Irrota virtajohto ennen juoksumaton siirtämistä, jotta virtajohto ei tartu pyöriin eikä virtajohto tai virtapistokkeen välikkappale vaurioudu.
- Juoksumaton alla olevat pyörät on suunniteltu juoksumaton kuljettamiseen, mutta muista, että juoksumatto on erittäin painava.
- Juoksumaton painon vuoksi on suositeltavaa kuljettää sitä vain tasaisella, tukevalla ja puhtaalla alustalla, jotta pyörät eivät vaurioudu.

**Takuu****Tunturi-kuntolaitteen omistajan takuu****Takuuehdot**

Kuluttaja on oikeutettu soveltuviin, kansallisessa kuluttajatuotteiden kauppaa koskevassa lainsäädännössä mainittuihin lakisääteisiin oikeuksiin. Tämä takuu ei rajoita näitä oikeuksia. Ostajan takuu on voimassa vain, jos tuotetta käytetään ympäristössä, jonka Tunturi New Fitness BV on kyseiselle laitteelle hyväksynyt. Kunkin tuotteen sallitut käyttöympäristöt ja huolto-ohjeet on esitetty tuotteen käyttöohjeessa. Käyttöohje on ladattavissa verkkosivustoltamme. <http://manuals.tunturi.com>

**Takuuehdot**

Takuuehdot tulevat voimaan tuotteen ostopäivästä lukien. Takuuehdot voivat olla erilaiset eri maissa, joten pyydä takuuehdot paikalliselta jälleenmyyjältä.

**Takuun kattavuus**

Missään olosuhteissa Tunturi New Fitness BV tai Tunturi-jälleenmyyjä ei vastaa ostajalle mahdollisesti aiheutuvista välillisistä vahingoista, kuten käyttötyötyön tai tulojen menetyksestä taikka muista taloudellisista seurausvahingoista.

**Takuun rajoitukset**

Takuu kattaa työstä ja materiaalista johtuvat virheet kuntolaitteessa, joka on alkuperäisessä kokoonpanossaan. Takuu koskee vain virheitä, jotka ilmenevät normaalissa ja laitteen mukana tulleen ohjekirjan mukaisessa käytössä edellyttäen, että Tunturin asennus-, huolto- ja käyttöohjeita on noudatettu. Tunturi New Fitness BV:n ja Tunturin jälleenmyyjät eivät vastaa virheistä, jotka aiheutuvat heidän vaikutusmahdollisuuksiensa ulkopuolella olevista seikoista. Takuu on voimassa vain niissä maissa, joissa Tunturi New Fitness BV:llä on valtuutettu maahantuoja. Takuu ei koske sellaisia kuntolaitteita tai osia, joita on muutettu ilman Tunturi New Fitness BV:n suostumusta.

Takuu ei koske virheitä, jotka johtuvat luonnollisesta kulumisesta, virheellisestä käytöstä, käytöstä olosuhteissa, joihin kuntolaitetta ei ole tarkoitettu, korroosiosta tai lastaus- tai kuljetusvahingoista.

Takuu ei koske käyttöäniä, jotka eivät olennaisesti haittaa laitteen käyttöä eivätkä johdu laitteessa olevasta virheestä.

Takuu ei myöskään sisällä kunnossapitoimenpiteitä, kuten puhdistusta, voitelua tai sen osien normaalia tarkistamista, eikä sellaisia asennustoimenpiteitä, jotka asiakas voi suorittaa itse ja jotka eivät edellytä erityistä kuntolaitteen purkamista / kokeamista. Tällaisia toimenpiteitä ovat esim. mittareiden, polkimien tai muiden vastaavien yksinkertaisten osien vaihdot. Muun kuin valtuutetun Tunturi-edustajan suorittamia takuukorjauksia ei korvata. Laitteen käyttöohjeen noudattamatta jättäminen aiheuttaa takuun raukeamisen.

## Tekniset tiedot

Parametri	Mittayksikkö	Arvo
Sähkölähteen jännite	VAC	210~240
Sähkölähteen taajuus	HZ	50~60
Juoksumaton nopeus	Km/H	0.1~20.0
Nousukulma	Step	0~15
Pituus	Cm	196.0
Leveys	Cm	88.0
Korkeus	Cm	154.7
Paino	Kg	155.8
Suurin sallittu käyttäjän paino	Kb	150
Syke voidaan mitata seuraavasti:	Käden yhteys 5.3~ 5.4 Khz. BLE BT ANT+	Ei Ei Ei Joo

### HUOMAUTUS

- Jos haluat tietää tuotteen mitat ja toiminnalliset mitat, katso kuva G.

## Valmistajan vakuutus

Tunturi New Fitness BV vakuuttaa tuotteen täyttävän seuraavien standardien ja direktiivien vaatimukset: EN-957- (SA), 2014/30/EU. Tässä tuotteessa on sen vuoksi CE-merkki.

03-2023

Tunturi New Fitness BV  
Purmerweg 1  
1311 XE Almere  
Alankomaat

## Vastuuvapauslauseke

© 2023 Tunturi New Fitness BV  
Kaikki oikeudet pidätetään.

- Tuote ja käyttöopas saattavat muuttua.
- Teknisiä tietoja saatetaan muuttaa ilman eri ilmoitusta.
- Katso käyttöohjeiden uusien versio verkkosivustoltamme.





**TUNTURI**®

**FEEL BETTER EVERY DAY**

**TUNTURI NEW FITNESS B.V.**

Purmerweg 1  
1311 XE Almere  
The Netherlands

P.O. Box 60001  
1320 AA Almere  
The Netherlands

info@tunturi.com  
www.tunturi.com



20230710-W